

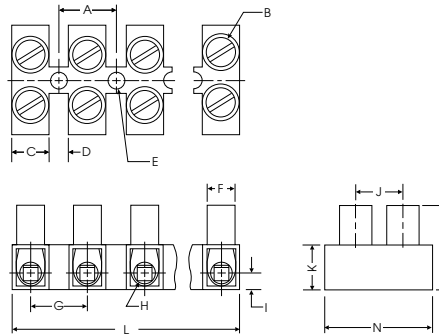
FEED-THROUGH FLAT BASE EUROSTRIPS® 300V - Panel Mount

For wire-to-wire connections in HVAC, appliance, equipment, power distribution and other industrial applications with strict budget and space requirements.

Easy to use double row terminal strips are a cost-effective alternative to barrier strips or other types of terminal blocks. Simply strip the wire, insert, and tighten the screw.^a Eurostrips® feature tubular screw clamps, with or without wire protectors, and recessed metal parts for finger protection. The wire protectors include an integral wire stop in the center of the terminal. The stainless steel wire protectors exhibit excellent memory and the wire stop insures the most effective connection.

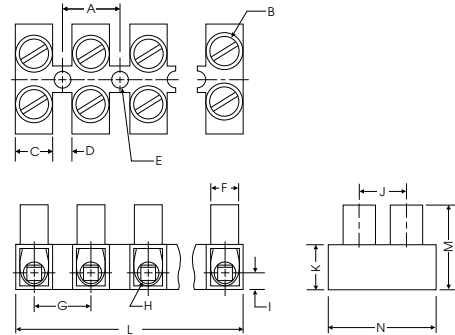
Eurostrips® described on this and the following page are available with a flat base for minimum clearance applications. They can be panel mounted or left to free float. Offered in easy to cut standard 12 pole strips, they can also be ordered pre-cut with the required number of poles.

- Tubular Screw Clamp
- With or Without Wire Protectors
- Panel Mount or Free Float
- Housing Material: Polyamide 6.6
- Color: Opaque White
- Marking Plates or Factory Imprinted



TS1.5

Flat Base
Pole Spacing 8mm (.315)
Mounting Hole Diameter 2.8mm (.110)
Stripping Length 5mm (.197)



TS2.5

Flat Base
Pole Spacing 10mm (.394)
Mounting Hole Diameter 3.5mm (.138)
Stripping Length 6mm (.236)

Ratings

IEC/VDE

UL (File No. E148805)

CSA (File No. LR38962)

Wire Range	Current	Voltage
1.5mm ²	18A	380V
22-12 AWG	20A	300V
22-16 AWG	15A	300V

Wire Range	Current	Voltage
2.5mm ²	26A	380V
22-10 AWG	30A	300V
18-12 AWG	30A	300V

Ordering Information		No. of Poles	Type	Cat. No.	Length (L) mm (in.)	Std. Pk.	Type	Cat. No.	Length (L) mm (in.)	Std. Pk.
Eurostrip®, Flat Base with Wire Protector		2	TS1.5/2wp	40.002	13.6 (.53)	100	TS2.5/2wp	40.202	17.0 (.67)	100
		3	TS1.5/3wp	40.003	21.5 (.85)	100	TS2.5/3wp	40.203	27.0 (1.06)	100
		4	TS1.5/4wp	40.004	29.5 (1.16)	100	TS2.5/4wp	40.204	37.0 (1.46)	100
		5	TS1.5/5wp	40.005	37.4 (1.47)	100	TS2.5/5wp	40.205	47.0 (1.85)	100
		6	TS1.5/6wp	40.006	45.4 (1.79)	50	TS2.5/6wp	40.206	57.0 (2.24)	50
		7	TS1.5/7wp	40.007	53.3 (2.10)	50	TS2.5/7wp	40.207	67.0 (2.64)	50
		8	TS1.5/8wp	40.008	61.3 (2.41)	50	TS2.5/8wp	40.208	77.0 (3.03)	50
		9	TS1.5/9wp	40.009	69.2 (2.72)	50	TS2.5/9wp	40.209	87.0 (3.43)	50
		10	TS1.5/10wp	40.010	77.2 (3.04)	50	TS2.5/10wp	40.210	97.0 (3.82)	50
		11	TS1.5/11wp	40.011	85.1 (3.35)	50	TS2.5/11wp	40.211	107.0 (4.21)	50
		12	TS1.5/12wp	40.012	93.0 (3.66)	50	TS2.5/12wp	40.212	117.0 (4.61)	50
		Eurostrip®, Flat Base without Wire Protector^b		2	TS1.5/2	40.052	13.6 (.53)	100	TS2.5/2	40.252
3	TS1.5/3			40.053	21.5 (.85)	100	TS2.5/3	40.253	27.0 (1.06)	100
4	TS1.5/4			40.054	29.5 (1.16)	100	TS2.5/4	40.254	37.0 (1.46)	100
5	TS1.5/5			40.055	37.4 (1.47)	100	TS2.5/5	40.255	47.0 (1.85)	100
6	TS1.5/6			40.056	45.4 (1.79)	50	TS2.5/6	40.256	57.0 (2.24)	50
7	TS1.5/7			40.057	53.3 (2.10)	50	TS2.5/7	40.257	67.0 (2.64)	50
8	TS1.5/8			40.058	61.3 (2.41)	50	TS2.5/8	40.258	77.0 (3.03)	50
9	TS1.5/9			40.059	69.2 (2.72)	50	TS2.5/9	40.259	87.0 (3.43)	50
10	TS1.5/10			40.060	77.2 (3.04)	50	TS2.5/10	40.260	97.0 (3.82)	50
11	TS1.5/11			40.061	85.1 (3.35)	50	TS2.5/11	40.261	107.0 (4.21)	50
12	TS1.5/12			40.062	93.0 (3.66)	50	TS2.5/12	40.262	117.0 (4.61)	50

For Accessories, please refer to pages 50, 51

Dimensions mm (in.)

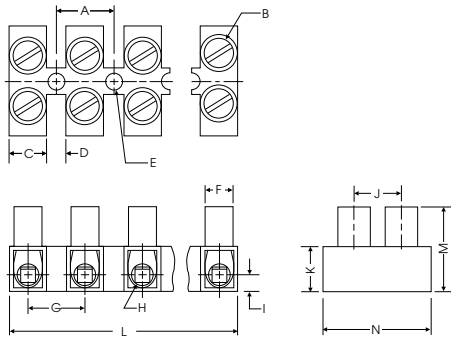
A = 8.0 (.315)	E = Ø2.8 (.110)	I = 2.5 (.099)
B = M2.5 x 4.3	F = Ø5.35 (.211)	J = 7.5 (.296)
C = 5.6 (.221)	G = 8.0 (.315)	K = 6.7 (.264)
D = 2.4 (.095)	H = Ø3.0 (.118)	M = 13.7 (.540)
		N = 18.2 (.716)

Dimensions mm (in.)

A = 10.0 (.394)	E = Ø3.5 (.137)	I = 3.0 (.118)
B = M3 x 5.8	F = Ø5.7 (.225)	J = 9.5 (.374)
C = 6.4 (.252)	G = 10.0 (.394)	K = 8.0 (.315)
D = 3.5 (.138)	H = Ø3.6 (.142)	M = 15.5 (.611)
		N = 21.8 (.858)

^a Clamp screws are zinc chromated steel. Stainless steel or nickel plated brass screws are available, consult Altech for ordering information.

^b Use for solid wire or wire with a ferrule.



TS6

Flat Base
 Pole Spacing 12mm (.472)
 Mounting Hole Diameter 4.2mm (.165)
 Stripping Length 7mm (.276)

Wire Range	Current	Voltage
6mm ²	44A	380V
20-8 AWG	40A	300V
18-10 AWG	40A	300V

Type	Cat. No.	Length (L) mm (in.)	Std. Pk.
TS6/2wp	40.402	20.0 (.79)	100
TS6/3wp	40.403	32.0 (1.26)	100
TS6/4wp	40.404	44.0 (1.73)	100
TS6/5wp	40.405	56.0 (2.21)	100
TS6/6wp	40.406	68.0 (2.68)	50
TS6/7wp	40.407	80.0 (3.15)	50
TS6/8wp	40.408	92.0 (3.62)	50
TS6/9wp	40.409	104.0 (4.10)	50
TS6/10wp	40.410	116.0 (4.57)	25
TS6/11wp	40.411	128.0 (5.03)	25
TS6/12wp	40.412	140.0 (5.51)	25
TS6/2	40.452	20.0 (.79)	100
TS6/3	40.453	32.0 (1.26)	100
TS6/4	40.454	44.0 (1.73)	100
TS6/5	40.455	56.0 (2.21)	100
TS6/6	40.456	68.0 (2.68)	50
TS6/7	40.457	80.0 (3.15)	50
TS6/8	40.458	92.0 (3.62)	50
TS6/9	40.459	104.0 (4.10)	50
TS6/10	40.460	116.0 (4.57)	25
TS6/11	40.461	128.0 (5.03)	25
TS6/12	40.462	140.0 (5.51)	25

Dimensions mm (in.)

A = 12.0 (.472)	E = Ø4.4 (.173)	I = 4.3 (.169)
B = M3.5 x 7	F = Ø6.8 (.268)	J = 9.5 (.374)
C = 7.6 (.299)	G = 12.0 (.472)	K = 9.0 (.354)
D = 4.3 (.169)	H = Ø4.2 (.165)	M = 17.7 (.697)
		N = 23.0 (.906)

FEED-THROUGH EUROSTRIPS®

300V and 600V

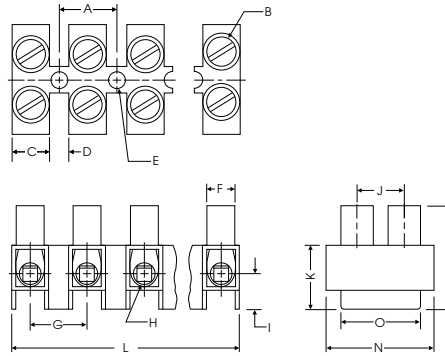
Standoff Feet Panel Mount

For wire-to-wire connections in HVAC, appliance, equipment, power distribution and other industrial applications with restricted budget and space requirements.

Easy to use double row terminal strips are a cost-effective alternative to barrier strips or other types of terminal blocks. Simply strip the wire, insert, and tighten the screw.^a Eurostrips® feature tubular screw clamps, with or without wire protectors, and recessed screws and contacts to prevent shocks and shorts. The wire protectors include an integral wire stop in the center of the terminal. The stainless steel wire protectors exhibit excellent memory and the wire stop insures the most efficient connection.

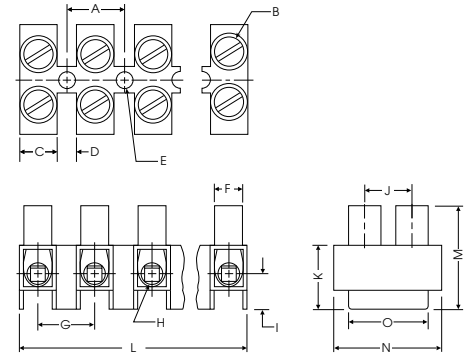
Eurostrips described on this and the following page are available with standoff feet for increased wiring efficiency. They can be panel mounted or left to free float. Offered in easy to cut 12 pole strips, they can also be ordered precut with the required number of poles.

- Tubular Screw Clamp
- With or Without Wire Protectors
- Panel Mount or Free Float
- Housing Material: Polyamide 6.6
- Color: Opaque White
- Marking Plates or Factory Imprinted



TSF1.5

Standoff Feet
Pole Spacing 8mm (.315)
Mounting Hole Diameter 2.8mm (.110)
Stripping Length 5mm (.197)



TSF2.5

Standoff Feet
Pole Spacing 10mm (.394)
Mounting Hole Diameter 3.5mm (.138)
Stripping Length 6mm (.236)

Ratings

IEC/VDE

UL (File No. E148805)

CSA (File No. LR38962)

Wire Range

1.5mm²

22-12 AWG

22-16 AWG

Current

18A

20A

15A

Voltage

380V

600V

300V

Wire Range

2.5mm²

22-10 AWG

18-12 AWG

Current

26A

30A

30A

Voltage

380V

600V

600V

Ordering Information

No. of Poles

Type

Cat. No.

Length (L)
mm (in.)

Std. Pk.

Type

Cat. No.

Length (L)
mm (in.)

Std. Pk.

Eurostrip®, Standoff Feet with Wire Protector

2	TSF1.5/2wp	40.102	13.6 (.53)	100
3	TSF1.5/3wp	40.103	21.5 (.85)	100
4	TSF1.5/4wp	40.104	29.5 (1.16)	100
5	TSF1.5/5wp	40.105	37.4 (1.47)	100
6	TSF1.5/6wp	40.106	45.4 (1.79)	50
7	TSF1.5/7wp	40.107	53.3 (2.10)	50
8	TSF1.5/8wp	40.108	61.3 (2.41)	50
9	TSF1.5/9wp	40.109	69.2 (2.72)	50
10	TSF1.5/10wp	40.110	77.2 (3.04)	50
11	TSF1.5/11wp	40.111	85.1 (3.35)	50
12	TSF1.5/12wp	40.112	93.0 (3.66)	50

TSF2.5/2wp	40.302	17.0 (.67)	100
TSF2.5/3wp	40.303	27.0 (1.06)	100
TSF2.5/4wp	40.304	37.0 (1.46)	100
TSF2.5/5wp	40.305	47.0 (1.85)	100
TSF2.5/6wp	40.306	57.0 (2.24)	50
TSF2.5/7wp	40.307	67.0 (2.64)	50
TSF2.5/8wp	40.308	77.0 (3.03)	50
TSF2.5/9wp	40.309	87.0 (3.43)	50
TSF2.5/10wp	40.310	97.0 (3.82)	50
TSF2.5/11wp	40.311	107.0 (4.21)	50
TSF2.5/12wp	40.312	117.0 (4.61)	50

Eurostrip®, Standoff Feet without Wire Protector^b

2	TSF1.5/2	40.152	13.6 (.53)	100
3	TSF1.5/3	40.153	21.5 (.85)	100
4	TSF1.5/4	40.154	29.5 (1.16)	100
5	TSF1.5/5	40.155	37.4 (1.47)	100
6	TSF1.5/6	40.156	45.4 (1.79)	50
7	TSF1.5/7	40.157	53.3 (2.10)	50
8	TSF1.5/8	40.158	61.3 (2.41)	50
9	TSF1.5/9	40.159	69.2 (2.72)	50
10	TSF1.5/10	40.160	77.2 (3.04)	50
11	TSF1.5/11	40.161	85.1 (3.35)	50
12	TSF1.5/12	40.162	93.0 (3.66)	50

TSF2.5/2	40.352	17.0 (.67)	100
TSF2.5/3	40.353	27.0 (1.06)	100
TSF2.5/4	40.354	37.0 (1.46)	100
TSF2.5/5	40.355	47.0 (1.85)	50
TSF2.5/6	40.356	57.0 (2.24)	50
TSF2.5/7	40.357	67.0 (2.64)	50
TSF2.5/8	40.358	77.0 (3.03)	50
TSF2.5/9	40.359	87.0 (3.43)	50
TSF2.5/10	40.360	97.0 (3.82)	50
TSF2.5/11	40.361	107.0 (4.21)	50
TSF2.5/12	40.362	117.0 (4.61)	50

For Accessories, please refer to pages 50, 51

Dimensions mm (in.)

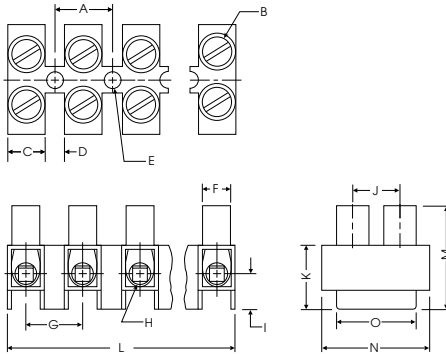
A = 8.0 (.315)	E = Ø2.8 (.110)	J = 7.5 (.296)
B = M2.5 x 4.3	F = Ø5.35 (.211)	K = 10.1 (.398)
C = 5.6 (.221)	G = 8.0 (.315)	M = 17.0 (.670)
D = 2.4 (.095)	H = Ø3.0 (.118)	N = 18.2 (.716)
	I = 6.1 (.240)	O = 12.0 (.472)

Dimensions mm (in.)

A = 10.0 (.394)	E = Ø3.5 (.138)	J = 9.5 (.374)
B = M3 x 5.8	F = Ø5.7 (.225)	K = 12.0 (.472)
C = 6.4 (.252)	G = 10.0 (.394)	M = 19.4 (.764)
D = 3.5 (.138)	H = Ø3.6 (.142)	N = 22.3 (.879)
	I = 7.4 (.292)	O = 14.0 (.552)

^aClamp screws are zinc chromated steel. Stainless steel or nickel plated brass screws are available, consult Altech for ordering information.

^bUse for solid wire or wire with a ferrule.



TSF6

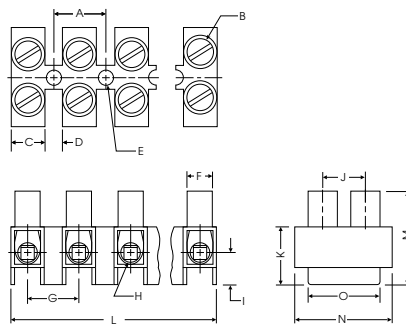
Standoff Feet
 Pole Spacing 12mm (.472)
 Mounting Hole Diameter 4.2mm (.165)
 Stripping Length 7mm (.276)

Wire Range	Current	Voltage
6mm ²	44A	380V
20-8 AWG	40A	600V
18-10 AWG	40A	600V

Type	Cat. No.	Length (L) mm (in.)	Std. Pk.
TSF6/2wp	40.502	20.0 (.79)	100
TSF6/3wp	40.503	32.0 (1.26)	100
TSF6/4wp	40.504	44.0 (1.73)	100
TSF6/5wp	40.505	56.0 (2.21)	100
TSF6/6wp	40.506	68.0 (2.68)	50
TSF6/7wp	40.507	80.0 (3.15)	50
TSF6/8wp	40.508	92.0 (3.62)	50
TSF6/9wp	40.509	104.0 (4.10)	50
TSF6/10wp	40.510	116.0 (4.57)	25
TSF6/11wp	40.511	128.0 (5.03)	25
TSF6/12wp	40.512	140.0 (5.51)	25
TSF6/2	40.552	20.0 (.79)	100
TSF6/3	40.553	32.0 (1.26)	100
TSF6/4	40.554	44.0 (1.73)	100
TSF6/5	40.555	56.0 (2.21)	100
TSF6/6	40.556	68.0 (2.68)	50
TSF6/7	40.557	80.0 (3.15)	50
TSF6/8	40.558	92.0 (3.62)	50
TSF6/9	40.559	104.0 (4.10)	50
TSF6/10	40.560	116.0 (4.57)	25
TSF6/11	40.561	128.0 (5.03)	25
TSF6/12	40.562	140.0 (5.51)	25

Dimensions mm (in.)

A = 12.0 (.472)	E = Ø4.4 (.173)	J = 9.6 (.378)
B = M3.5 x 7	F = Ø6.8 (.268)	K = 12.5 (.492)
C = 7.6 (.299)	G = 12.0 (.472)	M = 20.9 (.823)
D = 4.3 (.169)	H = 4.2 (.165)	N = 23.0 (.906)
	I = 8.5 (.335)	O = 15.8 (.622)



TSF16

Standoff Feet
 Pole Spacing 15.1mm (.595)
 Mounting Hole Diameter 4.0mm (.157)
 Stripping Length 8mm (.315)

Wire Range	Current	Voltage
16mm ²	82A	660V
14-6 AWG	63A	600V
18-6 AWG	65A	600V

Type	Cat. No.	Length (L) mm (in.)	Std. Pk.
TSF16/2wp	40.702	25.0 (.98)	40
TSF16/3wp	40.703	40.0 (1.58)	40
TSF16/4wp	40.704	55.0 (2.17)	40
TSF16/5wp	40.705	70.5 (2.28)	40
TSF16/6wp	40.706	86.0 (3.39)	20
TSF16/7wp	40.707	101.0 (3.98)	20
TSF16/8wp	40.708	116.0 (4.57)	20
TSF16/9wp	40.709	131.0 (5.16)	10
TSF16/10wp	40.710	146.0 (5.75)	10
TSF16/11wp	40.711	161.0 (6.34)	10
TSF16/12wp	40.712	176.0 (6.93)	10
TSF16/2	40.752	25.0 (.98)	40
TSF16/3	40.753	40.0 (1.58)	40
TSF16/4	40.754	55.0 (2.17)	40
TSF16/5	40.755	70.5 (2.28)	40
TSF16/6	40.756	86.0 (3.39)	20
TSF16/7	40.757	101.0 (3.98)	20
TSF16/8	40.758	116.0 (4.57)	20
TSF16/9	40.759	131.0 (5.16)	10
TSF16/10	40.760	146.0 (5.75)	10
TSF16/11	40.761	161.0 (6.34)	10
TSF16/12	40.762	176.0 (6.93)	10

Dimensions mm (in.)

A = 15.1 (.595)	E = Ø4.2 (.165)	J = 11.0 (.433)
B = M5 x 8	F = Ø8.0 (.315)	K = 16.5 (.650)
C = 9.6 (.378)	G = 15.1 (.595)	M = 25.8 (1.017)
D = 5.4 (.213)	H = Ø6.0 (.236)	N = 26.3 (1.035)
	I = 10.4 (.410)	O = 15.1 (.595)

PLUGGABLE EUROSTRIPS®

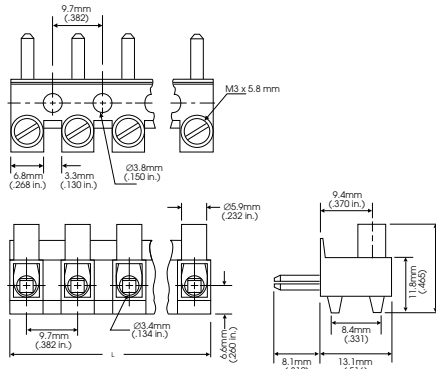
300 V - Panel Mount

For wire-to-wire connections in HVAC, appliance, equipment, power and other distribution applications. Pluggable Eurostrips® speed and simplify replacement of subassemblies, etc. They reduce downtime and misconnections.

Two-piece pluggable terminal strips feature tubular screw clamps, with or without wire protectors, and recessed metal parts for finger protection. A spring loaded contact prevents inadvertent unplugging.

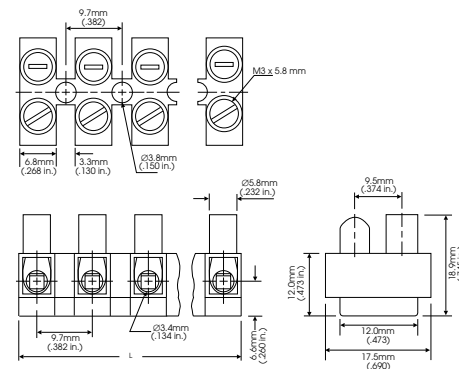
The headers and plugs have standoff feet for increased accessibility and can be panel mounted or free float. Offered in easy to cut 12 pole strips, they can also be ordered precut with the required number of poles.

- Tubular Screw Clamp
- Copper Alloy Wire Protectors
- Panel Mount or Free Float
- Housing Material: Polyamide 6.6
- Color: Opaque White



TSP2.5 PLUG

Standoff Feet
Pole Spacing 10mm (.394)
Mounting Hole Diameter 3.5mm (.138)
Stripping Length 6mm (.236)



TSH2.5 HEADER

Standoff Feet
Pole Spacing 10mm (.394)
Mounting Hole Diameter 3.5mm (.138)
Stripping Length 6mm (.236)

Ratings
IEC/VDE
UL (File No. E103245)

Wire Range 2.5mm² 20-12 AWG
Current 16A 13A
Voltage 380V 300V

Wire Range 2.5mm² 20-12 AWG
Current 16A 13A
Voltage 380V 300V

Ordering Information		No. of Poles	Type	Cat. No.	Length (L) mm (in.)	Std. Pk.	Type	Cat. No.	Length (L) mm (in.)	Std. Pk.
Eurostrip® Plug with Wire Protector	2	TSP2.5/2wp	40.802	17.0 (.67)	50	TSH2.5/2wp	40.902	17.0 (.67)	50	
	3	TSP2.5/3wp	40.803	27.0 (1.06)	50	TSH2.5/3wp	40.903	27.0 (1.06)	50	
	4	TSP2.5/4wp	40.804	37.0 (1.46)	50	TSH2.5/4wp	40.904	37.0 (1.46)	50	
	5	TSP2.5/5wp	40.805	47.0 (1.85)	50	TSH2.5/5wp	40.905	47.0 (1.85)	50	
Eurostrip® Header with Wire Protector	6	TSP2.5/6wp	40.806	57.0 (2.24)	25	TSH2.5/6wp	40.906	57.0 (2.24)	25	
	7	TSP2.5/7wp	40.807	67.0 (2.64)	25	TSH2.5/7wp	40.907	67.0 (2.64)	25	
	8	TSP2.5/8wp	40.808	77.0 (3.03)	25	TSH2.5/8wp	40.908	77.0 (3.03)	25	
	9	TSP2.5/9wp	40.809	87.0 (3.43)	25	TSH2.5/9wp	40.909	87.0 (3.43)	25	
	10	TSP2.5/10wp	40.810	97.0 (3.82)	10	TSH2.5/10wp	40.910	97.0 (3.82)	10	
	11	TSP2.5/11wp	40.811	107.0 (4.21)	10	TSH2.5/11wp	40.911	107.0 (4.21)	10	
	12	TSP2.5/12wp	40.812	117.0 (4.61)	10	TSH2.5/12wp	40.912	117.0 (4.61)	10	
	Eurostrip® Plug without Wire Protector ^a	2	TSP2.5/2	40.852	17.0 (.67)	50	TSH2.5/2	40.952	17.0 (.67)	50
3		TSP2.5/3	40.853	27.0 (1.06)	50	TSH2.5/3	40.953	27.0 (1.06)	50	
4		TSP2.5/4	40.854	37.0 (1.46)	50	TSH2.5/4	40.954	37.0 (1.46)	50	
5		TSP2.5/5	40.855	47.0 (1.85)	50	TSH2.5/5	40.955	47.0 (1.85)	50	
6		TSP2.5/6	40.856	57.0 (2.24)	25	TSH2.5/6	40.956	57.0 (2.24)	25	
7		TSP2.5/7	40.857	67.0 (2.64)	25	TSH2.5/7	40.957	67.0 (2.64)	25	
8		TSP2.5/8	40.858	77.0 (3.03)	25	TSH2.5/8	40.958	77.0 (3.03)	25	
9		TSP2.5/9	40.859	87.0 (3.43)	25	TSH2.5/9	40.959	87.0 (3.43)	25	
10		TSP2.5/10	40.860	97.0 (3.82)	10	TSH2.5/10	40.960	97.0 (3.82)	10	
11		TSP2.5/11	40.861	107.0 (4.21)	10	TSH2.5/11	40.961	107.0 (4.21)	10	
12		TSP2.5/12	40.862	117.0 (4.61)	10	TSH2.5/12	40.962	117.0 (4.61)	10	



^aUse for solid wire or wire with a ferrule.

EUROSTRIP® ACCESSORIES

Convenient options that facilitate installation and wire termination.

EXTERNAL JUMPERS

Bus potentials between poles on Eurostrip® Terminal Strips reducing wiring time and eliminating wire jumpers.

Jumper Pole positions may be removed to provide selective jumpering. When using external jumpers, the terminal's rated cross section is usually reduced one wire size. For Jumper maximum current ratings, refer to the corresponding Eurostrip® IEC/VDE current rating.

Material: Metal-Copper Alloy, Nickel Plate
Insulation: Polyamide 6.6
Color: Black.

ISOLATION PARTITIONS

Isolation Partition KA provides separation between adjacent poles of different potentials on 600V Eurostrips® with standoff feet. Visual separation between poles is also provided by an Isolation Partition, assisting circuit identification and increasing wiring efficiency.

Material: Polyamide 6.6; Color: Black.

MOUNTING PINS

Speed panel mounting of Eurostrips® with AH Mounting Pins. Simply match drill clearance hole in panel, position Eurostrip® and install Mounting Pin through hole and into mounting hole in Eurostrip® housing. Once pin passes beyond Eurostrip® housing, it automatically expands, securing housing to panel. Use two or more Mounting Pins per Eurostrip®.

Material: Polyacetal; Color: AH46 Black, AH16 Gray

MARKING PLATES

Install Marking Plate MP under or on top of Eurostrip® housing to identify individual pole positions to increase wiring efficiency, save installation time and facilitate wire hook-up, system modification and trouble shooting. Select blank Marking Plate for hand marking or imprinted. Material: Self-extinguishing PVC; Color: White with Black Imprint.

IMPRINTING

Mark individual pole positions to save installation time and facilitate wire hook-up, system modification and trouble shooting. Choose turret or ledge marking for optimum identification. To order Imprinting specify consecutive, identical or custom character imprints; and marking location - Turret (T) or Ledge (L). Imprints: Rub-Resistant, Black Ink. See examples on facing pages.



EQ EXTERNAL JUMPERS

Type	Cat. No.	No. of Poles ^a , Pole Spacing	Use With Types
EQ1.5/2	41.442	2 pole, 8mm (.315)	TS1.5, TSF1.5
EQ1.5/3	41.443	3 pole, 8mm (.315)	
EQ1.5/4	41.444	4 pole, 8mm (.315)	
EQ1.5/12	41.452	12 pole, 8mm (.315)	
EQ2.5/2	41.462	2 pole, 10mm (.394)	TS2.5, TSF2.5, TSP2.5, TSH2.5
EQ2.5/3	41.463	3 pole, 10mm (.394)	
EQ2.5/4	41.464	4 pole, 10mm (.394)	
EQ2.5/12	41.472	12 pole, 10mm (.394)	
EQ6/2	41.482	2 pole, 12mm (.472)	TS6.0, TSF6.0
EQ6/3	41.483	3 pole, 12mm (.472)	
EQ6/4	41.484	4 pole, 12mm (.472)	
EQ6/12	41.492	12 pole, 12mm (.472)	
EQ16/2	41.502	2 pole, 15mm (.591)	TSF16
EQ16/3	41.503	3 pole, 15mm (.591)	
EQ16/4	41.504	4 pole, 15mm (.591)	
EQ16/12	41.512	12pole, 15mm (.591)	

Std. Pk.: 2 pole - 20
3 pole - 20
4 pole - 20
12 pole - 5

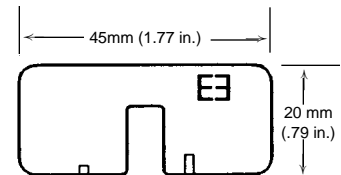
^aOther pole positions available, consult Altech.

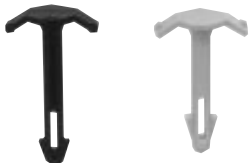


KA ISOLATION PARTITION

Type	Cat. No.	Thickness mm (in.)	Use With Types
KA46	41.410	3.4 (.134)	TSF2.5, TSF6

Std. Pk.: 5

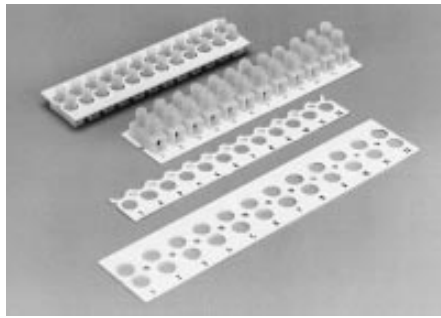




AH MOUNTING PINS

Type	Cat. No.	Panel Thickness mm (in.)	Use With Types
AH46	41.420	0.8 - 1.7 (.031-.067)	TSF2.5 TSF6
AH16	41.421	1.0 - 2.1 (.039 - .083)	TSF16

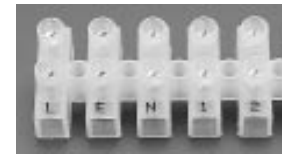
Std. Pk.: 50



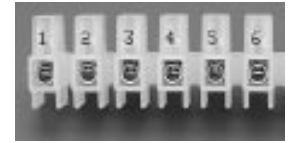
MP MARKING PLATES

Type	Cat. No.	Description*	Use With Types
MPB2.5	41.200	Blank	TS2.5, TSF2.5
MPB6	41.400	Blank	TS6, TSF6
MPB10	41.600	Blank	TSF16
MPI2.5	41.201	Consecutive Nos. 1 - 12	TS2.5, TSF2.5
MPI6	41.401	Consecutive Nos. 1 - 12	TS6, TSF6
MPI10	41.601	Consecutive Nos. 1 - 12	TSF16
MPI2.5	41.202	Consecutive Nos. 13 - 24	TS2.5, TSF2.5
MPI6	41.402	Consecutive Nos. 13 - 24	TS6, TSF6
MPI10	41.602	Consecutive Nos. 13 - 24	TSF16

Std. Pk.: 25



Ledge Location



Turret Location

IMPRINTING

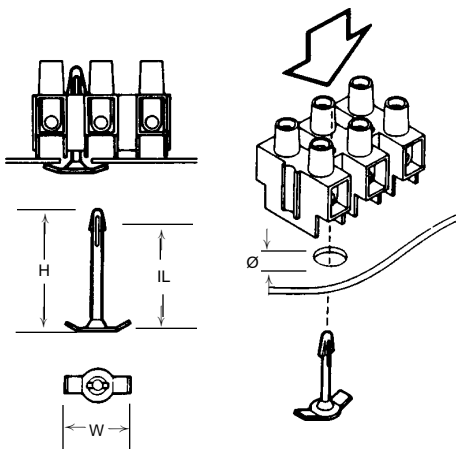
Type	Cat. No.
------	----------

The following are listed as examples:

TS1.5/12wp-i(1-12)T **40.012i(1-12)T**
Marking Instruction: Consecutive, imprint 1 through 12, Turret Location

TS2.5/12wp-i(1)L **40.212i(1)L**
Marking Instruction: Identical, imprint 1, Ledge Location

Std. Pk.: 1000



Dimensions mm (in.)				
Mounting Pin Type	Pin Height (H)	Insertion* Length (IL)	Panel Hole Dia.	Width (W)
AH46	21.5 (.85)	14.5 (.57)	4.5 (.18)	13.0 (.51)
AH16	24.5 (.96)	19.0 (.75)	5.5 (.22)	13.0 (.51)

*Eurostrip® housing thickness and panel thickness.

* Custom Imprints available, please consult Altech

Mouser Electronics

Authorized Distributor

Click to View Pricing, Inventory, Delivery & Lifecycle Information:

[Altech:](#)

[40.002](#) [40.004](#) [40.012](#) [40.212](#) [40.312](#) [40.412](#) [40.512](#) [40.402](#) [40.403](#) [40.502](#)