

THE INFORMATION CONTAINED HEREIN IS CONSIDERED "PROPRIETARY" TO BEL FUSE INC. AND SHALL NOT BE COPIED, REPRODUCED OR DISCLOSED WITHOUT THE WRITTEN APPROVAL OF BEL FUSE INC.

RoHS
2002/95/EC



PRELIMINARY

ELECTRICAL CHARACTERISTICS @ 25°C

1.0 TURNS RATIO:

(P6-P5-P4) : (J6-J3) 1CT : 1CT ±3%
(P3-P2-P1) : (J2-J1) 1CT : 1CT ±3%

2.0 INDUCTANCE:

P6-P4 350µH MIN. @ 0.1V, 100KHz, 8mA DC BIAS
P3-P1 350µH MIN. @ 0.1V, 100KHz, 8mA DC BIAS

3.0 LEAKAGE INDUCTANCE:

P6-P4 (WITH J6 & J3 SHORT) 0.3µH MAX @ 1MHz
P3-P1 (WITH J2 & J1 SHORT) 0.3µH MAX @ 1MHz

4.0 INERWINDING CAPACITANCE:

(P6,P5,P4) TO (J6,J3) 30pf MAX @ 1MHz
(P3,P2,P1) TO (J2,J1) 30pf MAX @ 1MHz

5.0 DC RESISTANCE:

(J6-J3)=(J2-J1) 1.2 OHMS MAX.

6.0 RETURN LOSS: 100 OHM REF.

1MHz TO 30MHz 18dB MIN.
60MHz TO 80MHz 12dB MIN.

7.0 VOLTAGE WITHSTAND:

(J1, J2) TO (P1, P3) 1500 VAC
(J3, J6) TO (P4, P6) 1500 VAC

8.0 INSERTION LOSS: RS=RL=100 OHMS

100KHz TO 100MHz 1.1dB TYP.

9.0 RISE TIME:

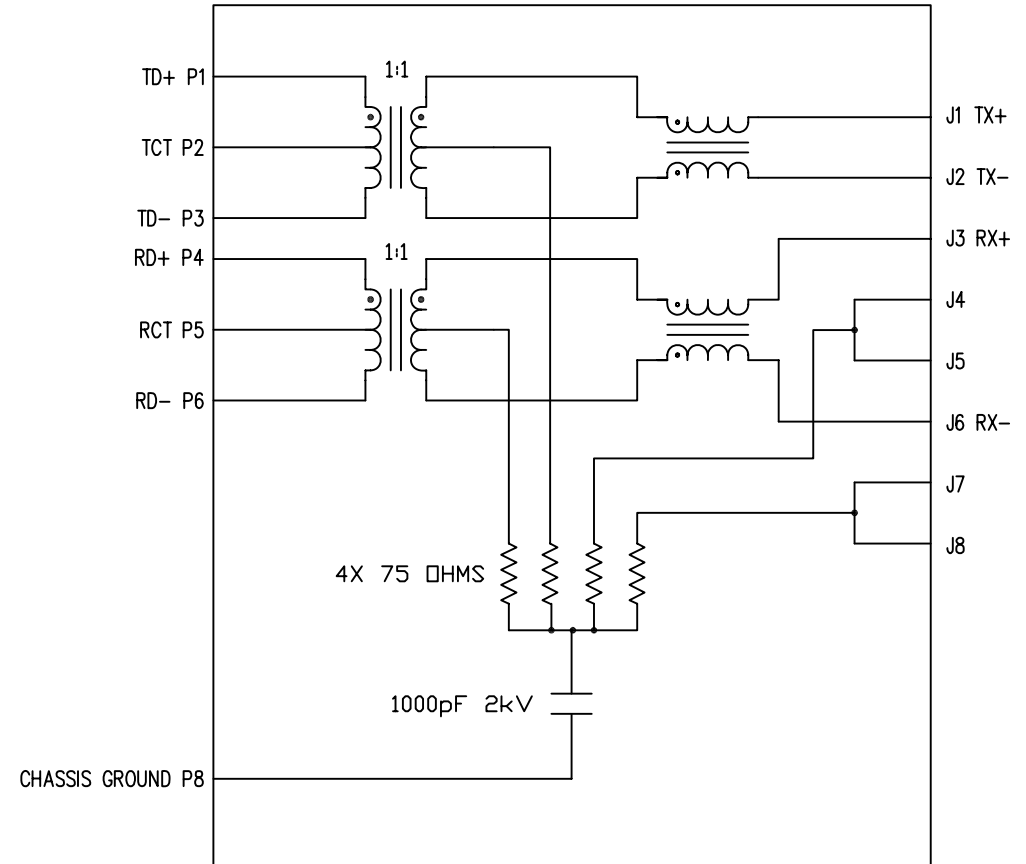
RS=100 OHMS AND RL=100 OHMS
OUTPUT VOLTAGE=1V PEAK
PULSE WIDTH = 112nS 3.0 nS MAX
3.0 nS MAX

10.0 CROSS TALK:

1MHz TO 100 MHz 40dB TYP.

11.0 CM TO CM ATTENUATION

30MHz TO 100MHz 35dB TYP.



NOTES

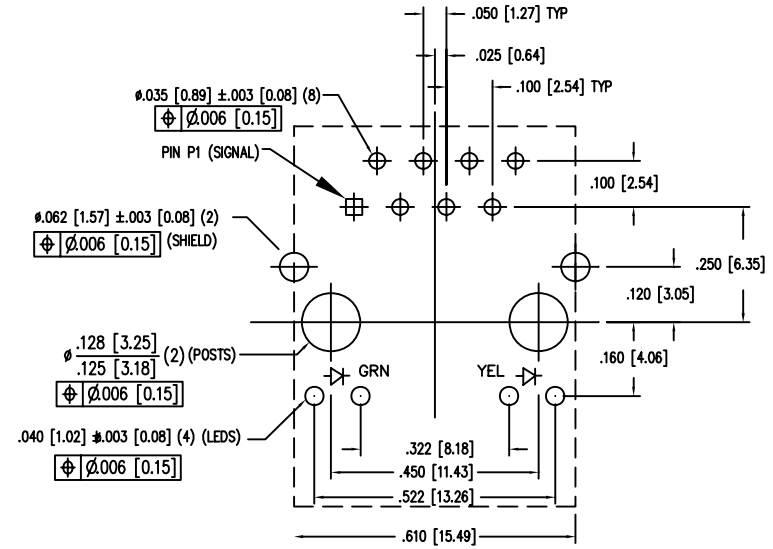
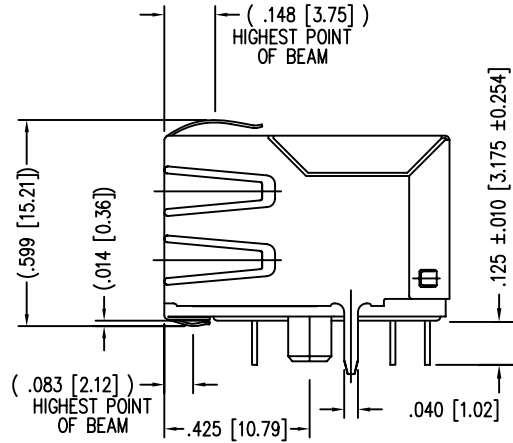
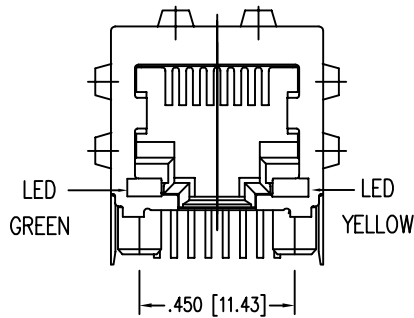
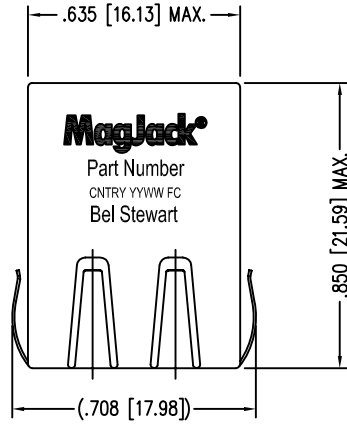
1.0 PINS WITHOUT ELECTRICAL CONNECTION ARE OMITTED.

ORIGINATED BY SHE	DATE 07-04-05	TITLE MagJack® 10/100BT TAB DOWN, SHIELDED	PART NO. / DRAWING NO. SI-60217-F	STANDARD DIM. TOL. IN INCH	[] METRIC DIM. AS REFERENCE		bel COMPONENTS FOR A CONNECTED PLANET Stewart Connector
DRAWN BY BOW	DATE 01-24-08		FILE NAME SI-60217-F.DWG	.X .XX .XXX	UNIT : INCH [mm] SCALE : N/A	REV. : X3 SIZE : A4	
				±0.005		PAGE : 1	

THE INFORMATION CONTAINED HEREIN IS CONSIDERED "PROPRIETARY" TO BEL FUSE INC. AND SHALL NOT BE COPIED, REPRODUCED OR DISCLOSED WITHOUT THE WRITTEN APPROVAL OF BEL FUSE INC.

LED SPECIFICATION			
STANDARD LED	WAVELENGTH	FORWARD V (MAX)	*(TYP)
GREEN	565 nm	2.5 V	2.2 V
YELLOW	590 nm	2.5 V	2.1 V

*WITH A FORWARD CURRENT OF 20 mA (TYP)



P.C.B. RECOMMENDED HOLE LAYOUT
SEEN FROM COMPONENT SIDE
ALL CENTERLINE DIMENSIONS ARE BASIC.

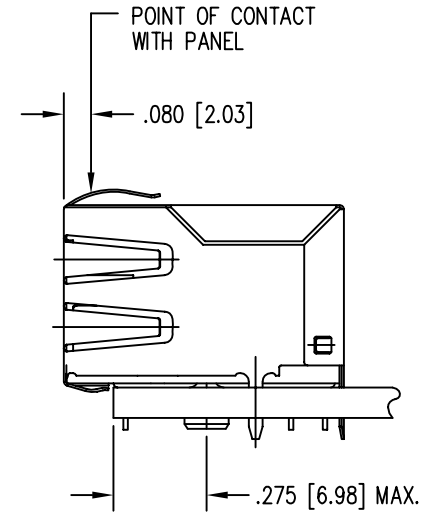
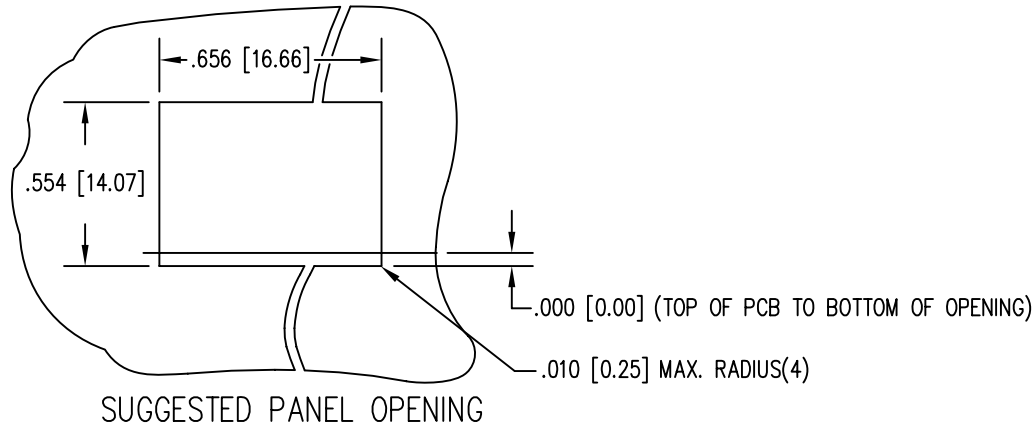
NOTES:

- CONNECTOR MATERIALS:
HOUSING: THERMOPLASTIC UL94-V0
CONTACT/SHIELD: COPPER ALLOY
SHIELD PLATING: NICKEL OR TIN
CONTACT PLATING: SELECTIVE GOLD, 50 μINCHES MIN. IN CONTACT AREA
- PIN NOT ELECTRICALLY CONNECTED MAYBE OMITTED. SEE ELECTRICAL DRAWING FOR OMITTED PINS.
- TOLERANCES COMPLY WITH F.C.C. DIMENSION REQUIREMENTS.
- ALL TOLERANCES NOT OTHERWISE SPECIFIED TO BE ±.005 [0.13].
- REFLOW AND WAVE SOLDER COMPATIBLE -260°C FOR 10 SECONDS MAX.

ORIGINATED BY	DATE	TITLE	PART NO. / DRAWING NO.	STANDARD DIM. TOL. IN INCH	[] METRIC DIM. AS REFERENCE	 COMPONENTS FOR A CONNECTED PLANET Stewart Connector
SHE	07-04-05	MagJack 10/100BT TAB DOWN, SHIELDED	SI-60217-F	.X	UNIT : INCH [mm]	
DRAWN BY	DATE		FILE NAME	.XX	SCALE : N/A	
BOW	01-24-08		SI-60217-F.DWG	.XXX	±0.005	
					REV. : X3 SIZE : A4 PAGE : 2	

THE INFORMATION CONTAINED HEREIN IS CONSIDERED "PROPRIETARY" TO BEL FUSE INC. AND SHALL NOT BE COPIED, REPRODUCED OR DISCLOSED WITHOUT THE WRITTEN APPROVAL OF BEL FUSE INC.

RoHS
2002/95/EC



NOTES:

1. THE SUGGESTED PANEL OPENING IS INTENDED TO GIVE THE USER THE ABILITY TO HAVE REASONABLE JACK / PANEL CLEARANCES YET MAINTAIN RELIABLE GROUNDING CAPABILITY.
2. ALL TOLERANCES NOT OTHERWISE SPECIFIED TO BE ± 0.005 [0.13].

ORIGINATED BY	DATE	TITLE	PART NO. / DRAWING NO.	STANDARD DIM.	[] METRIC DIM. AS REFERENCE	
SHE	07-04-05	 10/100BT TAB DOWN, SHIELDED	SI-60217-F	TOL. IN INCH	UNIT : INCH [mm]	REV. : X3
DRAWN BY	DATE		FILE NAME	.X	SCALE : N/A	SIZE : A4
BOW	01-24-08		SI-60217-F.DWG	.XX	±0.005	 PAGE : 3

