



### Features

- Single Device: 30ADC
- +12-V Input
- Programmable Output Voltage: 1.7V to 4.0V via 5-Bit Code
- Multiphase Topology
- High Efficiency: 92% @3.3V
- Output Remote Sense
- Short-Circuit Protection
- Thermal Shutdown
- Standby On/Off Control
- Space-Saving Package
- Solderable Copper Case

### Description

The PT8139 Excalibur™ module is a high performance integrated switching regulator (ISR), housed in a solderable, 31-pin space-saving copper package. Operating from an input voltage of +12V, the module provides up to 30A of power over a range of low-output voltages.

The PT8139 incorporates a state-of-the-art 2-phase multiple power path. This topology extends the output current range while improving both the transient response and input current ripple.

The PT8139 output voltage is programmable over the voltage range, 1.7V to 4.0V, via a 5-bit input code. This makes the PT8139 an ideal power source for many highly integrated digital systems that demand a high power supply current at low voltages.

The PT8139 features include short-circuit protection, thermal shutdown, a Standby (On/Off) control, and a remote sense to compensate for voltage drop between the regulator and the load.

### Ordering Information

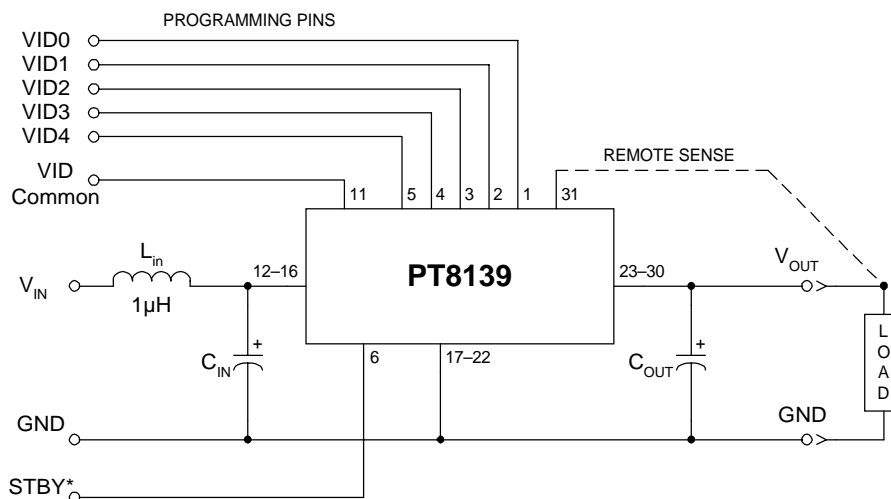
PT8139□ = 1.7 to 4.0 Volts

### PT Series Suffix (PT1234 x)

Case/Pin Configuration	Order Suffix	Package Code
Vertical	N	(EKH)
Horizontal	A	(EKF)
SMD	C	(EKG)

(Reference the applicable package code drawing for the dimensions and PC board layout)

### Standard Application



$C_{in}$  = Required 1500µF electrolytic  
 $C_{out}$  = Required 660µF low ESR OS-Con®, or 1,200µF aluminum electrolytic  
 $L_{in}$  = Optional 1µH input choke

### Pin-Out Information

Pin	Function	Pin	Function	Pin	Function
1	VID 0	12	V <sub>in</sub>	22	GND
2	VID 1	13	V <sub>in</sub>	23	V <sub>out</sub>
3	VID 2	14	V <sub>in</sub>	24	V <sub>out</sub>
4	VID 3	15	V <sub>in</sub>	25	V <sub>out</sub>
5	VID 4	16	V <sub>in</sub>	26	V <sub>out</sub>
6	STBY*	17	GND	27	V <sub>out</sub>
7	Do Not Connect	18	GND	28	V <sub>out</sub>
8	Do Not Connect	19	GND	29	V <sub>out</sub>
9	Do Not Connect	20	GND	30	V <sub>out</sub>
10	Do Not Connect	21	GND	31	Remote Sense
11	VID Common				

\* For STBY pin:  
 Open = Output Enabled  
 Ground = Output Disabled

### Output Voltage Programming Information

PT8139 (Custom Code)				
VID 3	VID 2	VID 1	VID 0	
1	1	1	1	<b>VID 4=1</b> V <sub>out</sub> 2.50V
1	1	1	0	<b>VID 4=0</b> V <sub>out</sub> 2.60V
1	1	0	1	1.70V
1	1	0	0	1.75V
1	0	1	1	2.70V
1	0	1	0	1.80V
1	0	0	1	2.80V
1	0	0	0	1.85V
0	1	1	1	2.90V
0	1	1	0	1.90V
0	1	0	1	3.00V
0	1	0	0	1.95V
0	0	1	1	3.10V
0	0	1	0	2.00V
0	0	0	1	3.20V
0	0	0	0	2.05V
0	1	1	1	3.30V
0	1	1	0	2.10V
0	1	0	1	3.40V
0	1	0	0	2.15V
0	0	1	1	3.50V
0	0	1	0	2.20V
0	0	0	1	3.60V
0	0	0	0	2.25V
0	0	0	1	3.70V
0	0	0	0	2.30V
				3.80V
				2.35V
				3.90V
				2.40V
				4.00V
				2.45V

#### Notes:

- i) Logic 0 = Connect to VID Common
- ii) Logic 1 = Open circuit (no pull-up resistors)
- iii) VID3 and VID4 may not be changed while the unit is operating.

**Specifications** (Unless otherwise stated  $T_a = 25^\circ\text{C}$ ,  $C_{in} = 1,500\mu\text{F}$ ,  $C_{out} = 660\mu\text{F}$ ,  $V_{in} = 12\text{V}$ , &  $I_o = I_{o,max}$ )

Characteristics	Symbols	Conditions	PT8139 Series			Units	
			Min	Typ	Max		
Output Current	$I_o$	Natural convection or 60°C with 200LFM airflow	0.1 (1)	—	30	A	
Input Voltage Range	$V_{in}$	Over $I_o$ Range	10.8	—	13.2	V	
Set-Point Voltage Tolerance	$V_o$ tol	Over $V_o$ range	—	$\pm 1$	$\pm 2$	%V	
Line Regulation	$\Delta\text{Reg}_{line}$	Over $V_{in}$ range	—	$\pm 10$	—	mV	
Load Regulation	$\Delta\text{Reg}_{load}$	Over $I_o$ range	—	$\pm 10$	—	mV	
Temperature Variation	$\Delta\text{Reg}_{temp}$	$-40^\circ\text{C} \leq T_a \leq 85^\circ\text{C}$	—	$\pm 0.5$	—	% $V_o$	
Total Output Voltage Variation	$\Delta V_{o,tot}$	Includes set-point, line load, $-40^\circ\text{C} \leq T_a \leq 85^\circ\text{C}$	—	—	$\pm 3$	%V	
Efficiency	$\eta$	$I_o = 15\text{A}$	$V_o = 3.3\text{V}$	—	92	—	%
			$V_o = 2.5\text{V}$	—	90	—	
			$V_o = 1.8\text{V}$	—	86	—	
		$I_o = I_{o,max}$	$V_o = 3.3\text{V}$	—	91	—	%
$V_o = 2.5\text{V}$	—		88	—			
$V_o = 1.8\text{V}$	—		84	—			
$V_o$ Ripple (pk-pk)	$V_r$	20MHz bandwidth	—	20	—	mV	
Transient Response	$t_{tr}$	1A/ $\mu\text{s}$ load step, 50% to 100% $I_{o,max}$	—	50	—	$\mu\text{Sec}$	
		$\Delta V_{tr}$	$V_o$ over/undershoot	—	100	—	mV
Short Circuit Threshold	$I_{o,sc}$	—	—	40	—	A	
Switching Frequency	$f_o$	Over load range	300	350	400	kHz	
Standby Control (pin 6) Input High Voltage Input Low Voltage Input Low Current	$V_{IH}$ $V_{IL}$ $I_{IL}$	Referenced to GND (pins 17–22) Pin 6 to GND	—	—	Open (2)	V	
			–0.2	—	0.8		
			—	0.5	—		mA
Standby Input Current	$I_{in, standby}$	Pin 6 to GND	—	35	—	mA	
External Output Capacitance	$C_{out}$	See application schematic	660 (5)	—	30,000	$\mu\text{F}$	
External Input Capacitance	$C_{in}$	See application schematic	1,500 (5)	—	—	$\mu\text{F}$	
Operating Temperature Range	$T_a$	Over $V_{in}$ Range	–40 (3)	—	+85 (4)	$^\circ\text{C}$	
Storage Temperature	$T_s$	—	–40	—	+125	$^\circ\text{C}$	
Mechanical Shock	—	Per Mil-STD-883D, Method 2002.3 1 msec, Half Sine, mounted to a fixture	—	TBD	—	G's	
Mechanical Vibration	—	Mil-STD-883D, Method 2007.2 20-2000 Hz, soldered in PCB	Vertical	—	TBD (6)	—	G's
			Horizontal	—	TBD (6)	—	
Weight	—	Vertical/Horizontal	—	55	—	grams	
Flammability	—	Materials meet UL 94V-0	—	—	—	—	

**Notes:** (1) ISR will operate down to no load with reduced specifications.

(2) The Standby input (pin 6) has an internal pull-up. If it is left open-circuit the PT812x will operate when input power is applied. A low-leakage MOSFET is recommended to control this input. The open-circuit voltage is nominally 5V. See application notes for interface considerations.

(3) For operation below  $0^\circ\text{C}$ ,  $C_{out}$  must have stable characteristics. Use either low ESR tantalum or Oscon® capacitors.

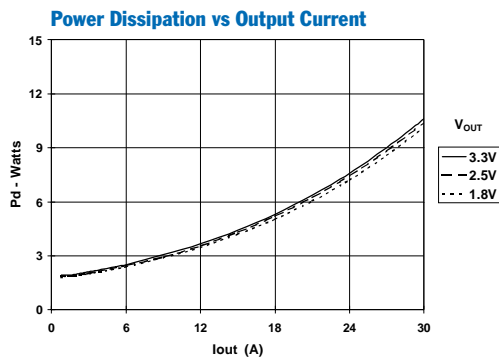
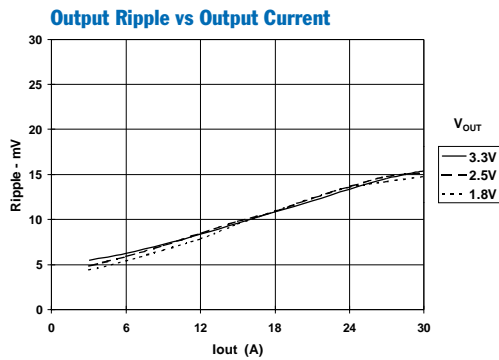
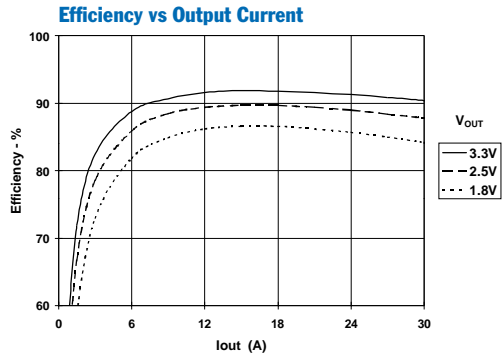
(4) See safe Operating Area curves or consult factory for the appropriate derating.

(5) The PT8120 regulators require a minimum of 660 $\mu\text{F}$ , low ESR output capacitance (1,200 $\mu\text{F}$  for standard aluminum electrolytic) for proper operation.

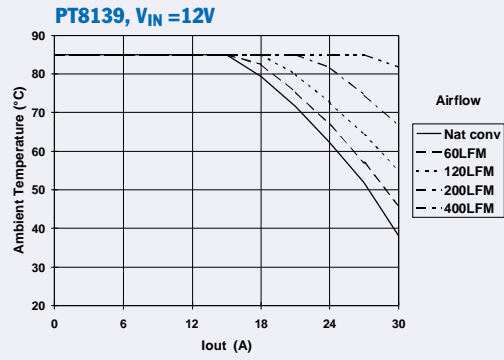
(6) The case pins on the through-hole package types (suffixes N & A) must be soldered. For more information see the applicable package outline drawing.

**Input Filter:** An input filter inductor is optional for most applications. The inductor must be rated to handle the projected input current. A rating of 10ADC for  $V_{out} \leq 3.3\text{V}$ , and 15ADC for  $V_{out} \geq 4.5\text{V}$  is recommended. The input capacitance must be rated for a minimum of 1.6Arms of ripple current. For transient or dynamic load applications, additional capacitance may be required.

**Characteristic Data;  $V_{in} = 12V$**  (See Note A)



**Safe Operating Area** (See Note B)



## Capacitor Recommendations for the PT8120 Series of Programmable ISRs

### Input Capacitors

The recommended input capacitor(s) is determined by 1.6 Arms minimum ripple current rating and 1,500µF minimum capacitance. Ripple current and Equivalent Series Resistance (ESR) values are the major considerations along with temperature when selecting the proper capacitor. The tantalum capacitors listed below cannot be used on the input bus since they are not rated for 12V operation.

### Output Capacitors

The minimum required output capacitance is 660µF (organic/polymer), or 1,200 (aluminum electrolytic) with a maximum ESR less than or equal to 50mΩ. Failure to observe this requirement may lead to regulator instability or oscillation. Electrolytic capacitors have poor ripple performance at frequencies greater than 400kHz, but excellent low frequency transient response. Above the ripple frequency ceramic decoupling capacitors are necessary to improve the transient response and reduce any microprocessor high frequency noise components apparent during higher current excursions. Preferred low ESR type capacitor part numbers are identified in the Table 1 below.

### Tantalum Characteristics

Tantalum capacitors are recommended on the output bus but only AVX TPS Series, Sprague 593D/594/595 Series, or Kemet T495/T510,520 Series. These capacitors are recommended over other types due to their higher surge current, excellent power dissipation and ripple current ratings. As a caution, the TAJ Series by AVX is not recommended. This series exhibits considerably higher ESR, reduced power dissipation and lower ripple current capability. The TAJ Series is also less reliable compared to the TPS series when determining power dissipation capability.

### Capacitor Table

Table 1 identifies the characteristics of capacitors from a number of vendors with acceptable ESR and ripple current (rms) ratings. The suggested minimum quantities per regulator for both the input and output buses are identified.

*This is not an extensive capacitor list. Capacitors from other vendors are available with comparable specifications. Those listed are for guidance. The RMS ripple current rating and ESR (Equivalent Series Resistance at 100kHz) are the critical parameters are necessary to insure both optimum regulator performance and long capacitor life.*

**Table 1 Capacitors Characteristic Data**

Capacitor Vendor/ Series	Capacitor Characteristics					Quantity		Vendor Part Number
	Working Voltage	Value(µF)	(ESR) Equivalent Series Resistance	105°C Maximum Ripple Current(Irms)	Physical Size(mm)	Input Bus	Output Bus	
Panasonic FC (Radial)	35V	1500	0.028Ω	2490mA	18× 20	1	1	EEUF1C1V152S
	25V	1500	0.029Ω	2205mA	16× 20	1	1	EEUF1C1E152S
FC/FK (Surface Mount)	16V	4700	0.033Ω	2060mA	18×16.5	1	1	EEVFK1C472M
	25V	2200	0.028Ω	2490mA	18×21.5	1	1	EEVFC1E222N
	16V	2200	0.038Ω	2000mA	18×16.5	2	1	EEVFC1C222N
						1	1	
United Chemi-con LXZ Series	35V	1800	0.028Ω	2490mA	18× 20	1	1	LXZ35VB182M18X20LL
	25V	1800	0.029Ω	2210mA	16×20	1	1	LXZ25VB182M16X20LL
	16V	2700	0.029Ω	2210mA	16× 20	1	1	LXZ16VB272M16X20LL
Nichicon PW Series	25V	1000	0.038±2Ω	3200mA	12.5x20	2	1	UPW1E102MHH
	25V	1800	0.029Ω	2205mA	16x20	1	1	UPW1E182MHH6
PM Series	25V	1500	0.034Ω	1770mA	16x20	1	1	UPM1E152MHH6
Os-con:( Organic) SS SV (Surface Mount)	10V	330	0.025Ω	3500mA	10×10.5	N/R(1)	2	10SS330M (V <sub>cr</sub> 6V)
	10V	330	0.020Ω	3800mA	10.3×10.3	N/R(1)	2	10SV330 (V <sub>cr</sub> 6V)
AVX Tantalum TPS (Surface Mount)	10V	330	0.1Ω±2 =0.05Ω	>2500mA	7.3L	N/R(1)	2	TPSE337M010R0100 (V <sub>cr</sub> 5V)
	10V	330	0.06Ω±2 =0.03Ω	>3000mA	×5.7W ×4.1H	N/R(1)	2	TPSV337M010R0060 (V <sub>cr</sub> 5V)
Kemet Polymer/Tantalum T520Series (Surface Mount)	10V	330	0.040±2Ω	1800mA	4.3W	N/R(1)	2	T520X337M010AS (V <sub>cr</sub> 6V)
	10V	330	0.040±2Ω	>1800mA	×7.3L ×4.0H	N/R(1)	2	T520D330M006AS (V <sub>cr</sub> 4V)
Sprague Tantalum 594D Series (Surface Mount)	10V	330	0.045±2Ω	2360mA	7.2L ×6W ×4.1H	N/R(1)	2	594D337X0010R2T(V <sub>cr</sub> 5V)

**Note:** (N/R -Not recommended) The 10V-rated tantalum capacitors cannot be used on the input bus.

## Using the On/Off Standby Function of the PT8120 Series of Programmable ISRs

The PT8120 series of programmable ISRs incorporates an On/Off Standby function. This feature may be used to turn the regulated output of the module off while input voltage is applied. This places the module in “standby” mode. The standby control may be used for power-up sequencing, or wherever there is a requirement to control the module’s output status from another circuit.

The Standby function is provided by the *STBY\** control, pin 6. If pin 6 is left open-circuit the regulator operates normally, providing a regulated output when a valid supply voltage is applied to  $V_{in}$  (pins 10-16) with respect to GND (pins 17-22). Connecting pin 6 to ground<sup>1</sup> places the regulator in standby mode<sup>2</sup>, and reduces the input current to typically 35mA. Applying a ground signal to pin 6 prior to power-up, will inhibit the output during the period that input power is applied. When the ground signal to pin 6 is removed, the regulator initiates a soft-start to re-establish the set output voltage.<sup>3</sup> To ensure that the regulator output is properly enabled, the *STBY\** control pin must be open circuit.

**Table 1 Standby Control Requirements<sup>2</sup>**

Parameter	Min	Typ	Max
$V_{IH}$	—		Open Cct. <sup>1</sup>
$V_{IL}$	-0.2V	—	0.8V
$I_{STBY}$		-0.5mA	

**Notes:**

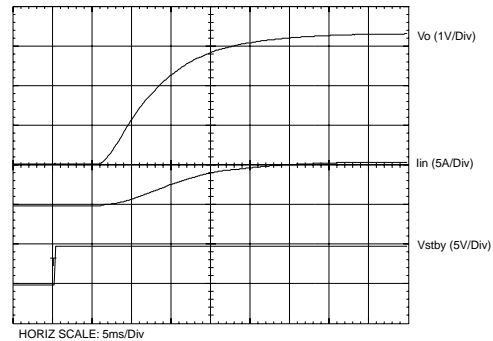
1. The standby on a PT8120 series regulators must be controlled with an open-collector (or open-drain) transistor (See fig. 1). *Do Not* use a pull-up resistor. Table 1 gives the *STBY\** pin parameters. The control pin has an open-circuit voltage of 5Vdc. To shut the regulator output off, the control pin must be “pulled” to less than 0.8Vdc with a low-impedance sink to ground.

2. In the standby mode the output of the regulator is tri-state, and the output voltage falls at the rate that the load circuit discharges the output filter capacitors.
3. When the ground signal to the *Standby* pin is removed, the regulator output initiates a soft-start cycle by first asserting a low impedance to ground. If an external voltage is applied to the output bus, it will sink current and possibly over-stress the part.

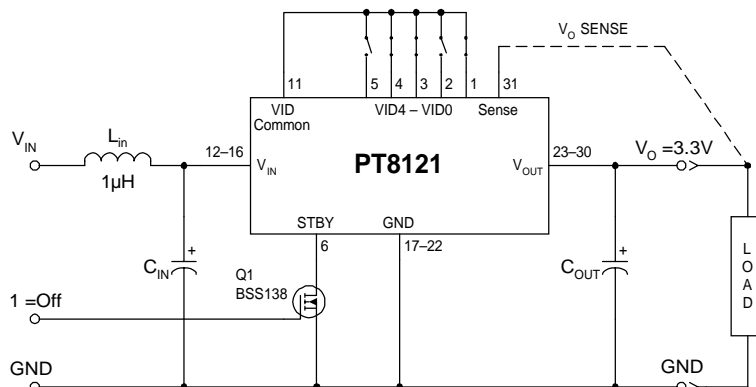
**Turn-On Time**

Turning  $Q_1$  in Figure 1 off, removes the low-voltage signal at pin 6. After approximately 5-ms the regulator output rises and reaches full regulation within 40ms. Fig. 2 shows the typical waveforms of a PT8121 following the prompt turn-off of  $Q_1$ . The turn-off of  $Q_1$  corresponds to the rise in  $V_{stby}$ . The output voltage was set to 3.3V, and the waveforms were measured with a 12V input source, and 18A resistive load.

**Figure 2**



**Figure 1**



## Pin-Coded Output Voltage Programming of the 30-A Rated PT8120 Series Regulators

The PT8120 series of Excalibur® ISRs incorporate a pin-coded output voltage control. These regulators must be programmed to a specific output voltage from a pre-set range defined by the regulator model. Programming is achieved by selectively connecting the control inputs, “VID0–VID4” (pins 1–5), to the “VID Common” (pin 11).<sup>1</sup> The programming code and voltage range for each model is defined in the data sheet. Refer to the PT8120 Series data sheet for more information. The program codes for the PT8121, PT8122, and PT8124 models are also compatible with some of the “Voltage ID” codes defined by Intel’s® VRM specifications. Figure 1 shows the pin-strap connections for selecting the desired output voltage from the program code range.

### Notes:

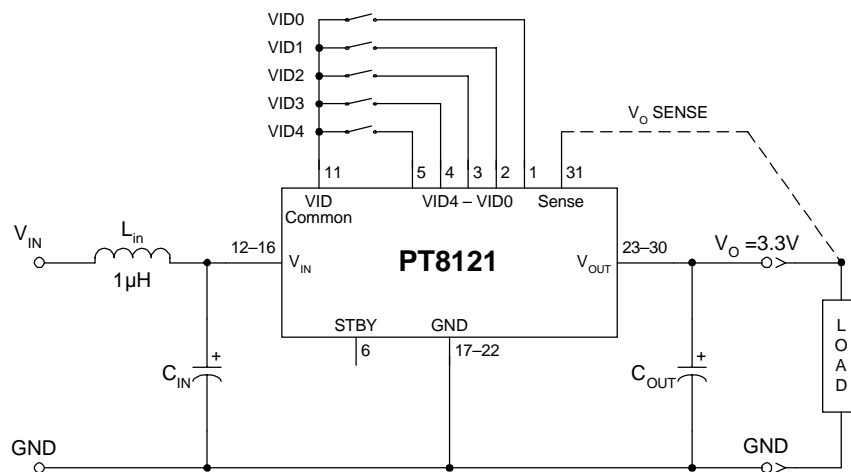
- The programming convention is as follows:-  
 Logic 0: Connect to pin 11 (VID Common).  
 Logic 1: Open circuit/open drain (See notes 2, & 4)
- Do not connect pull-up resistors to the voltage programming pins.
- To minimize output voltage error, use pin 11 (VID Common) as the logic “0” reference. If the regulator is used to power a VRM compatible microprocessor this may not be practical. In this case connect pin 11 to pins 17–22, or the ground plane close to the regulator.

- If active devices are used to ground the voltage control pins, low-level open drain MOSFETs should be used over bipolar transistors. The inherent  $V_{ce(sat)}$  in bipolar devices introduces errors in the device’s internal voltage control circuit. Discrete transistors such as the BSS138, 2N7002, IRLML2402, are examples of appropriate devices.

### Active Voltage Programming:

Special precautions should be taken when making changes to the voltage control program code while the output is active. It is recommended that the ISR be powered down or held placed in standby. Changes made to the program code while  $V_{out}$  is active induces high current transients through the device. This is the result of the electrolytic output capacitors being either charged or discharged to the new output voltage set-point. The transient current can be minimized by making only incremental changes to the binary code, i.e. one LSB at a time. A minimum of 100µs settling time between each program state is also recommended. Making non-incremental changes to VID3 and VID4 with the output enabled is discouraged. The transients induced may activate the module’s over-current protection. If the program code cannot be asserted prior to power-up, pull pin 6, *STBY*\*, to GND during the period that the input voltage is applied. The release of pin 6 will then allow the device to initiate a soft-start power-up to the program voltage.

Figure 1



## IMPORTANT NOTICE

Texas Instruments Incorporated and its subsidiaries (TI) reserve the right to make corrections, modifications, enhancements, improvements, and other changes to its products and services at any time and to discontinue any product or service without notice. Customers should obtain the latest relevant information before placing orders and should verify that such information is current and complete. All products are sold subject to TI's terms and conditions of sale supplied at the time of order acknowledgment.

TI warrants performance of its hardware products to the specifications applicable at the time of sale in accordance with TI's standard warranty. Testing and other quality control techniques are used to the extent TI deems necessary to support this warranty. Except where mandated by government requirements, testing of all parameters of each product is not necessarily performed.

TI assumes no liability for applications assistance or customer product design. Customers are responsible for their products and applications using TI components. To minimize the risks associated with customer products and applications, customers should provide adequate design and operating safeguards.

TI does not warrant or represent that any license, either express or implied, is granted under any TI patent right, copyright, mask work right, or other TI intellectual property right relating to any combination, machine, or process in which TI products or services are used. Information published by TI regarding third-party products or services does not constitute a license from TI to use such products or services or a warranty or endorsement thereof. Use of such information may require a license from a third party under the patents or other intellectual property of the third party, or a license from TI under the patents or other intellectual property of TI.

Reproduction of information in TI data books or data sheets is permissible only if reproduction is without alteration and is accompanied by all associated warranties, conditions, limitations, and notices. Reproduction of this information with alteration is an unfair and deceptive business practice. TI is not responsible or liable for such altered documentation.

Resale of TI products or services with statements different from or beyond the parameters stated by TI for that product or service voids all express and any implied warranties for the associated TI product or service and is an unfair and deceptive business practice. TI is not responsible or liable for any such statements.

### Mailing Address:

Texas Instruments  
Post Office Box 655303  
Dallas, Texas 75265