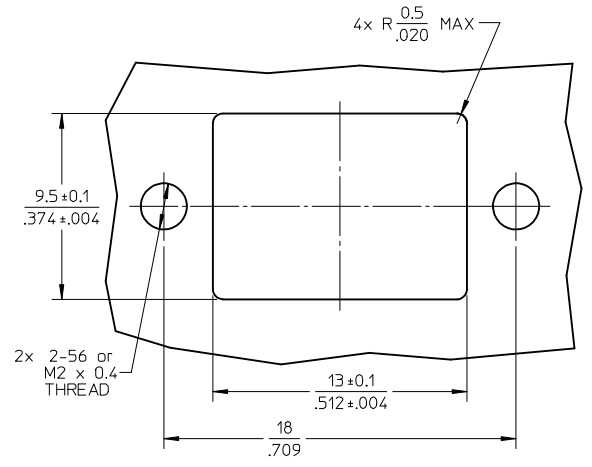
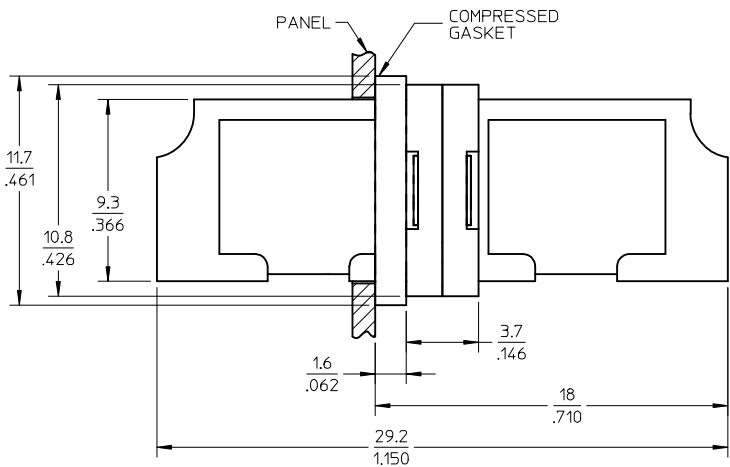
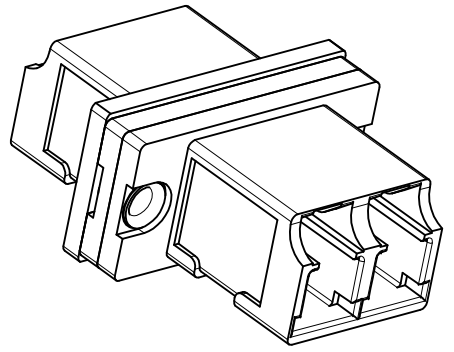
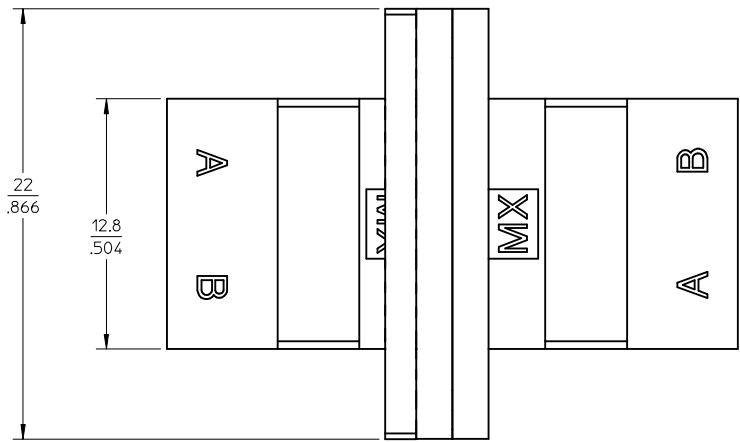
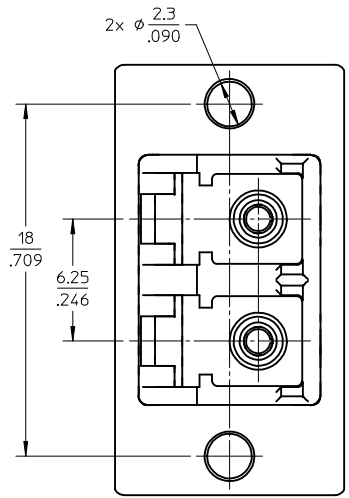


10	9	8	7	6	5	4	3	2	1
ADAPTER P/N	SPLIT SLEEVE MATERIAL								
106115-1100	Zr								
106115-1106	Ph. Bronze								



RECOMMENDED MOUNTING PATTERN



NOTES:

1. ALL DIMENSIONS ARE FOR REFERENCE ONLY.
2. CONDUCTIVE SILICONE GASKET WITH Ni/C FILLER IS SUPPLIED WITH PART.
3. PART IS DIECAST.
4. SPLIT SLEEVE MATERIAL: SEE TABLE.
5. DUST CAPS NOT SHOWN.
6. ADAPTERS TO BE PACKAGED IN TRAY.
7. ADAPTER IS RoHS COMPLIANT.

ENTER DESCRIPTION EC NO: MF2009-0641 DRW:MKPEVZNER 2009/06/03 CHKD: 2009/06/03 APPR: LGUMIN 2009/06/05 B	DESCRIPTION REV	QUALITY SYMBOLS ▽=0 ▽=0	GENERAL TOLERANCES (UNLESS SPECIFIED)		DIMENSION STYLE IN/MM		SCALE 1:1	DESIGN UNITS INCH	THIRD ANGLE PROJECTION	
		4 PLACES ± --- ± --- 3 PLACES ± --- ± --- 2 PLACES ± --- ± --- 1 PLACE ± --- ± ---	mm INCH	DRAWN BY PGIBLIN	DATE 2005/12/08	TITLE LC-D EMI ADAPTER, (SCREW MOUNT)				
		ANGULAR ±1/2°		CHECKED BY	DATE	APPROVED BY				
		DRAFT WHERE APPLICABLE MUST REMAIN WITHIN DIMENSIONS		MATERIAL NO. SEE TABLE	DATE	MOLEX INCORPORATED			DOCUMENT NO. SD-106115-110X	SHEET NO. 1 OF 01

THIS DRAWING CONTAINS INFORMATION THAT IS PROPRIETARY TO MOLEX INCORPORATED AND SHOULD NOT BE USED WITHOUT WRITTEN PERMISSION