

ALUMINUM ELECTROLYTIC CAPACITORS

nichicon



Snap-in Terminal Type, Standard series

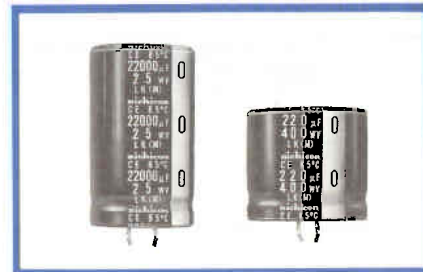
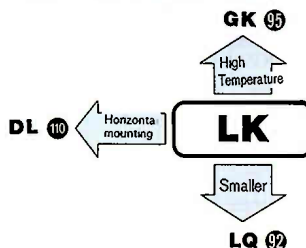


RCJ Approved An-Solvent Feature Through 00V on y



Approved by Reliability Center for Electronic Component, Japan Certification No. RCJ-03-25C

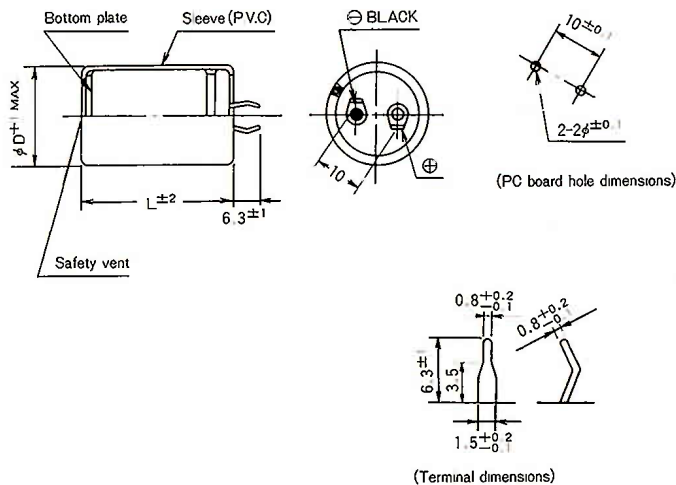
- Standard snap-in terminal series.
- Extended capacitance ranges based on the numerical values in E12 series under JIS.



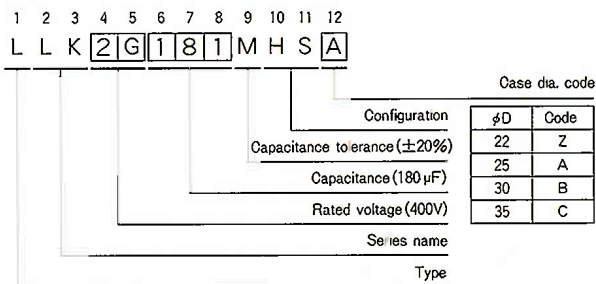
Specifications

Item	Performance Characteristics													
Operating Temperature Range	-40~+85°C (16~250V)	-25~+85°C (400~450V)												
Voltage Range	16~450V													
Capacitance Range	47~33000μF													
Capacitance Tolerance	±20% (120Hz, 20°C)													
Leakage Current	I ≤ 3√CV (μA) (After 5 minutes' application of rated voltage) [C: Capacitance (μF), V: Voltage (V)]													
tan δ	Measurement frequency: 120Hz, Temperature: 20°C													
	Rated voltage (V)	16	25	35	50	63	80	100	160	200	250	400	450	
	tan δ (MAX.)	0.5	0.4	0.35	0.3	0.25	0.2	0.2	0.15	0.10	0.10	0.20	0.20	
Stability at Low Temperature	Measurement frequency: 120Hz													
	Rated voltage (V)		16~100			160~250			400~450					
	Impedance ratio	Z-25°C/Z+20°C	4			3			8					
	ZT/Z20 (MAX.)	Z-40°C/Z+20°C	15			12								
Load Life	After an application of rated voltage (maximum value of DC voltage overlapped by an allowable ripple current) for 2000 hours at 85°C, capacitors meet the characteristics requirements listed at right.													
	Leakage current	Initial specified value or less												
	Capacitance change	Within ±20% of initial value												
Shelf Life	After leaving capacitors under no load at 85°C for 1000 hours, they meet the requirements listed at right.													
	Leakage current	Initial specified value or less												
	Capacitance change	Within ±15% of initial value												
Marking	Printed with white color letter on black sleeve.													
Applicable Standards	JIS C-5141 and JIS C-5102													

Drawing



Type numbering system (Example: 400V 180μF)



ALUMINUM ELECTROLYTIC CAPACITORS

LK series

■ Dimensions

DXL (mm)

Cap. (μF)	V (Code)		16(1C)				25(1E)				35(1V)				50(1H)			
	Code	φD	22	25	30	35	22	25	30	35	22	25	30	35	22	25	30	35
2200	222														22×25			
															1.85			
2700	272														22×30			
															2.10			
3300	332													22×25				
														2.20				
3900	392													22×30				
														2.25				
4700	472						22×25							22×30	25×25			
							1.90							2.40	2.40			
5600	562						22×30							22×35	25×30			
							2.25							2.75	2.75			
6800	682		22×25				22×35	25×25						22×40	25×35	30×25		
			2.50				2.55	2.55						2.95	2.95	2.95		
8200	822		22×30				22×40	25×30	30×25					22×45	25×40	30×30		
			2.65				3.10	3.10	3.20					3.45	3.50	3.45		
10000	103		22×30	25×25			22×45	25×35	30×30					25×45	30×35			
			2.85	2.85			3.40	3.40	3.40					4.00	4.00			
12000	123		22×35	25×30			22×50	25×40	30×30					25×50	30×40	35×30		
			3.25	3.25			4.00	3.90	3.85					4.45	4.50	4.40		
15000	153		22×40	25×35	30×25			25×45	30×35	35×30				30×45	35×35			
			3.70	3.75	3.65			3.75	4.45	4.45				5.00	5.00			
18000	183		22×50	25×40	30×30				30×40	35×35				30×50	35×40			
			4.35	4.25	4.20				5.00	5.10				5.55	5.50			
22000	223			25×45	30×35	35×30			30×50	35×40					35×50			
				4.80	4.80	4.80			5.80	5.75					6.25			
27000	273				30×40	35×30				35×50								
					5.20	5.15				6.60								
33000	333				30×45	35×40												
					5.80	5.90												

Cap. (μF)	V (Code)		63(1J)				80(1K)				100(2A)			
	Code	φD	22	25	30	35	22	25	30	35	22	25	30	35
820	821										22×25			
											1.20			
1000	102										22×30	25×25		
											1.50	1.50		
1200	122						22×25				22×35	25×30		
							1.30				1.75	1.75		
1500	152						22×30	25×25			22×40	25×30	30×25	
							1.80	1.80			1.95	1.90	1.95	
1800	182		22×25				22×35	25×30			22×45	25×35	30×30	
			1.70				2.05	2.05			2.30	2.20	2.30	
2200	222		22×30	25×25			22×40	25×30	30×25		22×50	25×40	30×30	
			2.30	2.30			2.30	2.30	2.30		2.65	2.60	2.55	
2700	272		22×35	25×30			22×45	25×35	30×30			25×45	30×35	35×30
			2.40	2.45			2.50	2.45	2.50			2.85	2.85	2.95
3300	332		22×40	25×35	30×25		22×50	25×40	30×30				30×40	35×35
			2.75	2.80	2.75		2.95	2.85	2.80				3.45	3.45
3900	392		22×45	25×35	30×30			25×45	30×35				30×45	35×35
			3.00	2.90	3.00			3.20	3.20				3.85	3.75
4700	472		22×50	25×40	30×30			25×50	30×40	35×30				35×40
			3.30	3.25	3.20			3.75	3.80	3.70				4.30
5600	562			25×45	30×35				30×45	35×35				35×50
				3.75	3.75				4.40	4.35				5.10
6800	682				30×40	35×30			30×50	35×40				
					4.20	4.15			4.80	4.80				
8200	822				30×45	35×35				35×45				
					4.70	4.65				5.35				
10000	103					35×40								
						5.20								
12000	123					35×50								
						6.10								

Allowable Ripple(A) at 85°C 120Hz

ALUMINUM ELECTROLYTIC CAPACITORS

LK series

■ Dimensions

DXL(mm)

Cap. (μF)	V (Code) Code	φD	160(2C)				200(2D)				250(2E)			
			22	25	30	35	22	25	30	35	22	25	30	35
180	181										22×25			
											0.95			
220	221					22×25				22×30	25×25			
						1.10				1.15	1.15			
270	271					22×30				22×35	25×30			
						1.25				1.25	1.25			
330	331	22×25				22×30	25×25			22×40	25×30	30×25		
		1.30				1.40	1.40			1.45	1.45	1.45		
390	391	22×30	25×25			22×35	25×30			22×45	25×35	30×30		
		1.50	1.55			1.60	1.60			1.70	1.70	1.70		
470	471	22×35	25×30			22×40	25×35	30×25		22×50	25×40	30×35	35×25	
		1.75	1.75			1.80	1.80	1.75		1.90	1.90	1.90	1.90	
560	561	22×35	25×30	30×25		22×45	25×35	30×30			25×45	30×35	35×30	
		1.90	1.90	1.95		2.00	2.00	2.05			2.15	2.15	2.15	
680	681	22×40	25×35	30×30			25×40	30×35	35×25			30×40	35×30	
		2.15	2.20	2.20			2.25	2.25	2.30			2.40	2.35	
820	821	22×50	25×40	30×30	35×25		25×50	30×40	35×30			30×45	35×35	
		2.45	2.45	2.45	2.50		2.55	2.60	2.50			2.75	2.75	
1000	102		25×45	30×35	35×30			30×45	35×35				35×40	
			2.80	2.80	2.85			2.95	2.90				3.00	
1200	122		25×50	30×40	35×35			30×50	35×40				35×50	
			3.10	3.20	3.25			3.40	3.40				3.50	
1500	152			30×45	35×40				35×45					
				3.70	3.75				3.80					
1800	182				35×40				35×50					
					4.00				4.15					
2200	222				35×50									
					4.50									

Cap. (μF)	V (Code) Code	φD	400(2G)				450(2W)							
			22	25	30	35	22	25	30	35				
47	470						22×25							
							0.49							
56	560						22×30							
							0.57							
68	680	22×25					22×30	25×25						
		0.58					0.63	0.63						
82	820	22×30					22×35	25×30						
		0.60					0.74	0.75						
100	101	22×30	25×25				22×40	25×35	30×25					
		0.77	0.77				0.88	0.89	0.86					
120	121	22×35	25×30				22×45	25×40	30×30	35×25				
		0.86	0.86				0.96	0.98	0.96	0.99				
150	151	22×40	25×30	30×25			25×45	30×35	35×30					
		0.97	0.92	0.96			1.10	1.10	1.13					
180	181	22×45	25×35	30×30	35×25		25×50	30×40	35×30					
		1.10	1.06	1.11	1.13		1.24	1.18	1.22					
220	221	22×50	25×40	30×35	35×30			30×45	35×35					
		1.25	1.22	1.28	1.32			1.42	1.40					
270	271		25×50	30×40	35×30			30×50	35×40					
			1.39	1.47	1.46			1.62	1.61					
330	331			30×45	35×35				35×45					
				1.68	1.70				1.83					
390	391			30×50	35×40				35×50					
				1.95	1.93				2.10					
470	471				35×45									
					2.23									
560	561				35×50									
					2.54									

Allowable Ripple(A) at 85°C 120Hz

● Frequency coefficient of allowable ripple current

Coef.	Frequency (Hz)					
	50	60	120	1 k	10k~	
	16~100V	0.88	0.90	1.00	1.15	1.15
160~250V	0.85	0.88	1.00	1.15	1.20	
400~450V	0.88	0.90	1.00	1.10	1.15	

● Allowable ripple current vs. Ambient temperature

Ambient temp. (C)	~+45	+60	+70	+85
Coefficient	1.48	1.42	1.30	1.00

Mouser Electronics

Authorized Distributor

Click to View Pricing, Inventory, Delivery & Lifecycle Information:

Nichicon:

[LLK1E472MHSZ](#) [LLK1H392MHSA](#) [LLK2E181MHSZ](#) [LLK1H332MESA](#) [LLK2G101MESA](#) [LLK2D221MHSZ](#)
[LLK1H222MHSZ](#) [LLK1H472MHSB](#) [LLK1V472MHSA](#) [LLK1H472MHSA](#) [LLK2E681MHSC](#) [LLK1H332MHSA](#)
[LLK1H682MHSA](#) [LLK1H103MHSB](#) [LLK1J222MHSA](#) [LLK1J472MHSBZP](#) [LLK2G391MHSC](#) [LLK2G471MHSC](#)
[LLK1E472MESZ](#) [LLK1V472MELA](#)