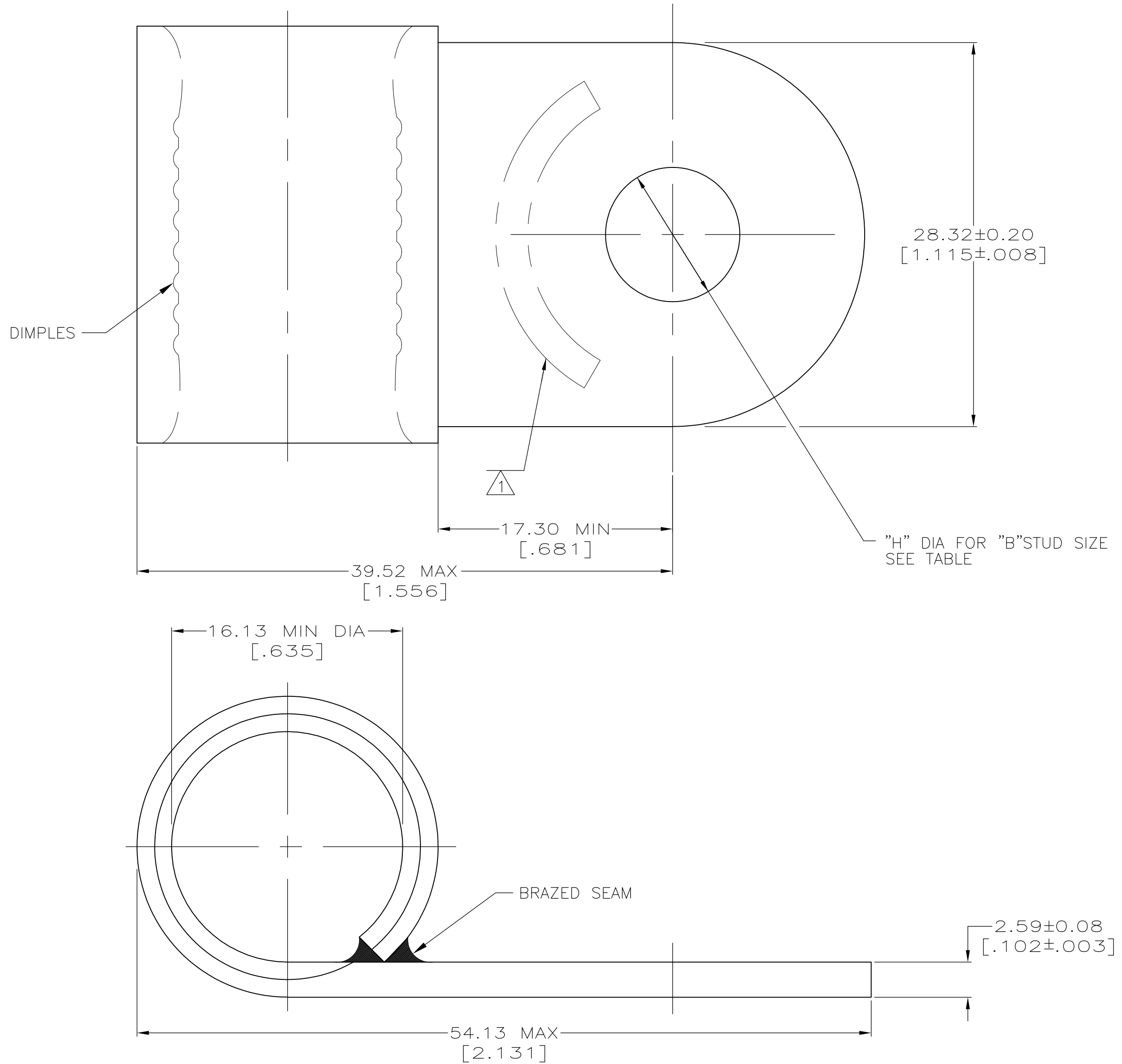


LOC	DIST	REVISIONS			
P	LTR	DESCRIPTION	DATE	DWN	APVD
G	14	E1	REVISED PER ECO-12-003798	29FEB12	KH DR



AMP WIRE RANGE	UL Listed FILE E13288	UL LR7189 Certified
4/0 AWG SOLID OR STRANDED	4/0 AWG STRANDED	4/0 AWG SOLID OR STRANDED

- 1 STAMP AMP 4/0W* APPROX AS SHOWN
- 2 COPPER PER ASTM B-152, ANNEALED
- 3 0.00254 [.000100] MIN TIN PER ASTM B-545

AMP INCORPORATED CUSTOMER SERVICE SYSTEMS

FOR ADDITIONAL PRODUCT INFORMATION OR COPIES OF DRAWINGS AND TECHNICAL DOCUMENTS	PRODUCT INFORMATION CENTER 1-800-522-6752	RECOMMENDED OPERATING TEMPERATURE: 170° C MAX
FOR APPLICATION TOOLING INFORMATION	TOOLING ASSISTANCE CENTER 1-800-722-1111	VOLTAGE RATING: NOT APPLICABLE
FOR ORDER ENTRY	1-800-526-5142	WIRE CROSS SECTIONAL AREA RANGE: 96.3-117mm ² [190,000-231,000] CIR MILS SOLID OR STRANDED

THIS DRAWING IS A CONTROLLED DOCUMENT.		DWN TA BRINKMAN 4-8-93	STE TE Connectivity	
DIMENSIONS: MM[INCHES]		CHK DA PATTERSON 4-8-93		
TOLERANCES UNLESS OTHERWISE SPECIFIED:		APVD DA PATTERSON 4-8-93	NAME TERMINAL, RING TONGUE, FLAG, SOLISTRAND	
0 PLC ± - 1 PLC ± - 2 PLC ± - 3 PLC ± - 4 PLC ± - ANGLES ± ± -		PRODUCT SPEC -	SIZE A2	
MATERIAL -		FINISH -	CAGE CODE 00779	DRAWING NO G-321277
CUSTOMER DRAWING		WEIGHT -	RESTRICTED TO -	SCALE 4:1
		SHEET 1 OF 1		REV E1