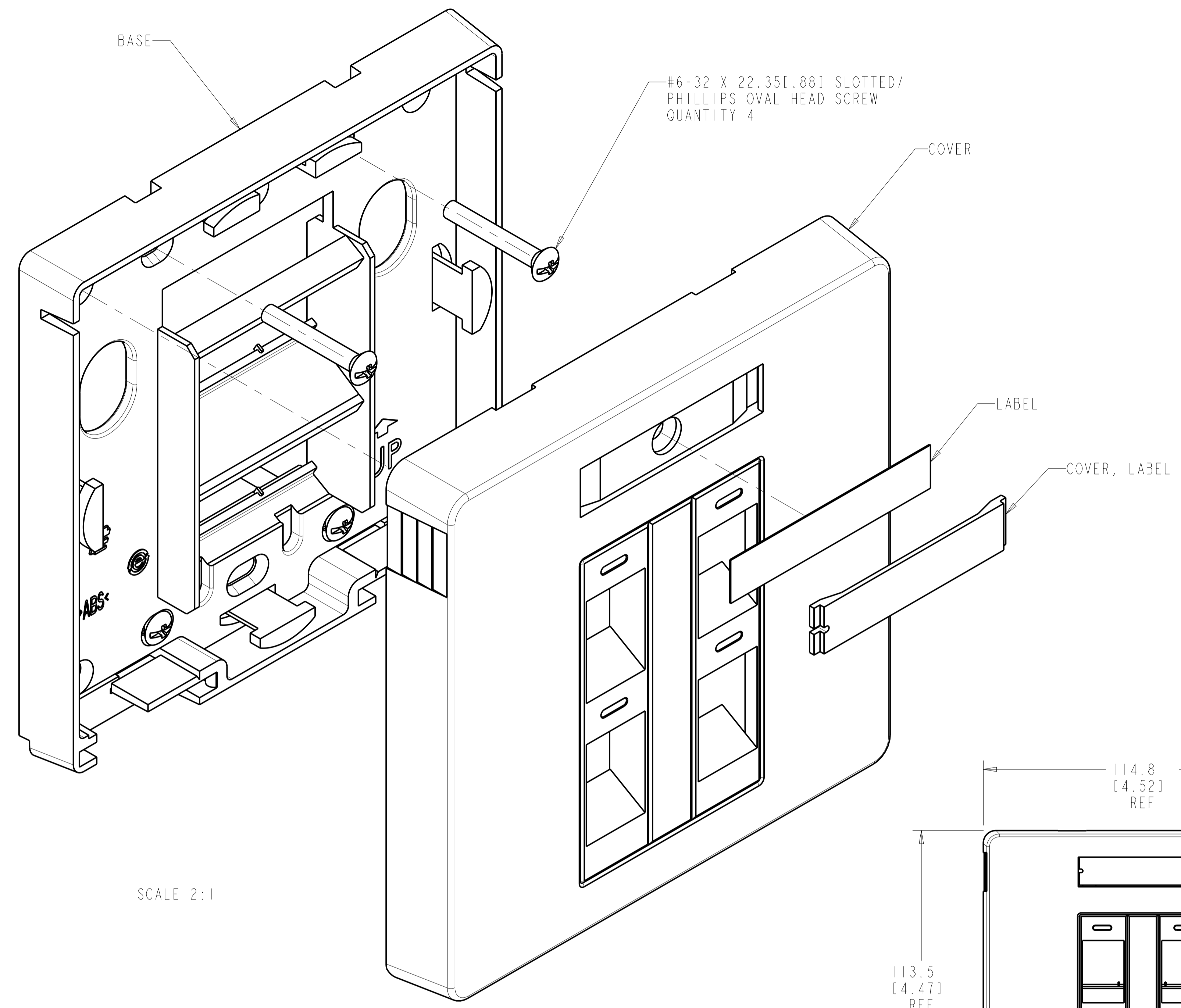
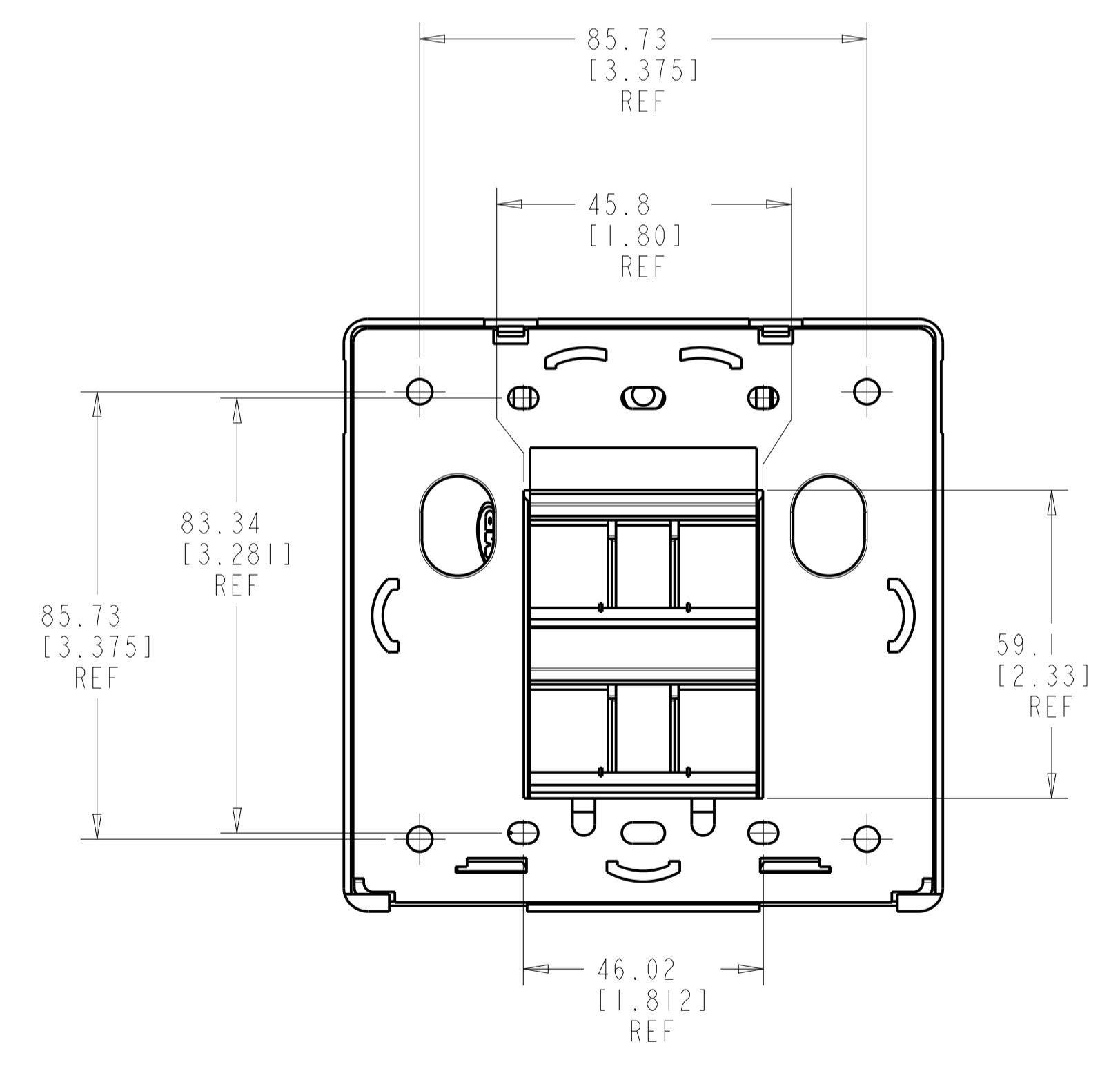
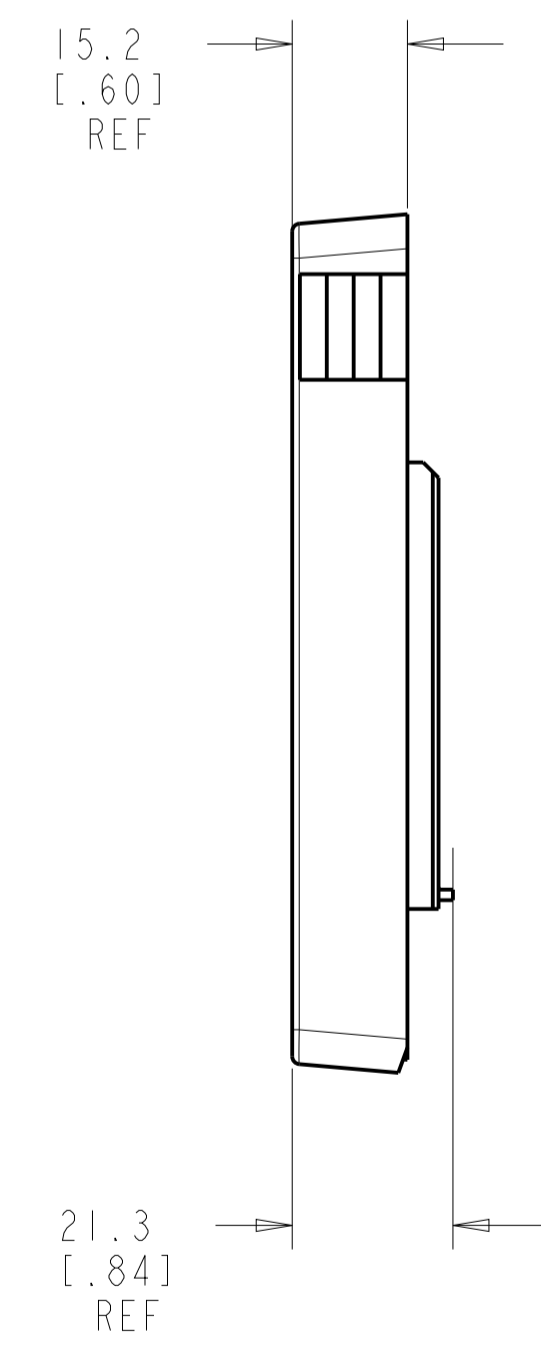
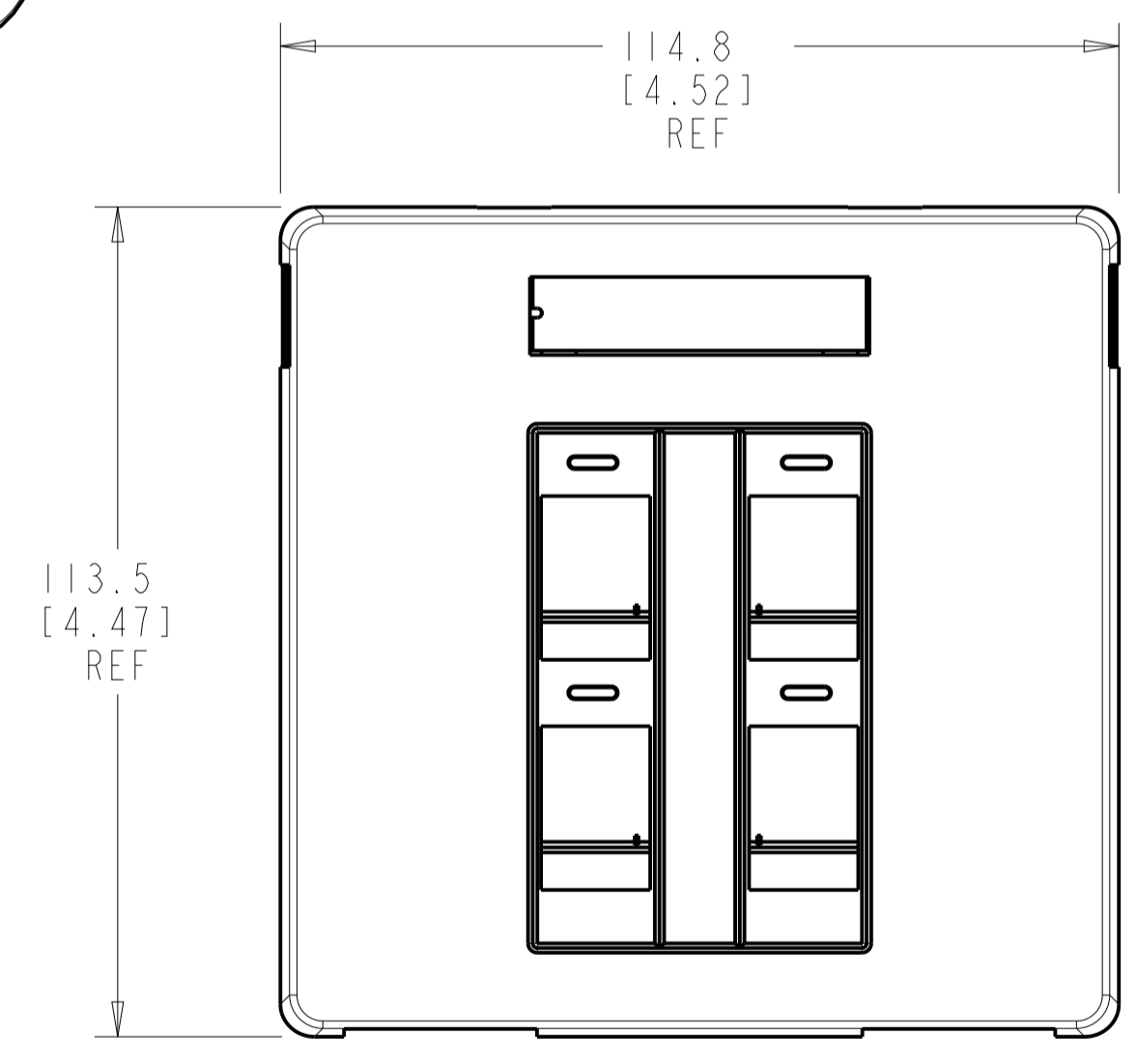


LOC		DIST		REVISIONS			
HM	00	REV	DATE	BY	CHK	APPV	
D		REV: ECO-10-011451	01JUN2010	LH	RA		
E		REV: ECO-11-012256	15JUN2011	GG	RA		
F		REV: ECO-14-002243	20FEB2014	GG	RA		



1. MATERIAL: COVER AND BASE- POLYCARBONATE MOLDING COMPOUND. SEE TABLE FOR COLOR.
 LABEL COVER- POLYCARBONATE MOLDING COMPOUND, CLEAR.
 SCREWS- ZINC PLATED CARBON STEEL.
 LABEL- WHITE INDEX PAPER
2. THIS KIT SHIPPED NOT ASSEMBLED.
3. THIS KIT ACCOMODATES A STANDARD SINGLE OR DOUBLE GANG WALL BOX THAT IS 38.1 [1.50] DEEP MINIMUM.

SCALE 2:1



LIGHT ALMOND COLOR	1479946-1 PART NO.
-----------------------	-----------------------

THIS DRAWING IS A CONTROLLED DOCUMENT.		DWN: J MCNEAL 03MAR2005	
DIMENSIONS: mm [INCHES]		CHK: G BOWMAN 03MAR2005	
TOLERANCES UNLESS OTHERWISE SPECIFIED:		APPV: G BOWMAN 03MAR2005	
0 PLC ± 1 PLC ± 2 PLC ±0.25(.01) 3 PLC ± 4 PLC ± ANGLES ±		PRODUCT SPEC APPLICATION SPEC 408-3383	
MATERIAL: △	FINISH: △	WEIGHT: -	NAME: KIT, HIDEAWAY OUTLET, 4 PORT/2 DUPLEX FIBER, DOUBLE GANG SIZE: A1 CAGE CODE: 00779 DRAWING NO: 1479946 RESTRICTED TO: - Customer Drawing SCALE: 1:1 SHEET: 1 OF 1 REV: F