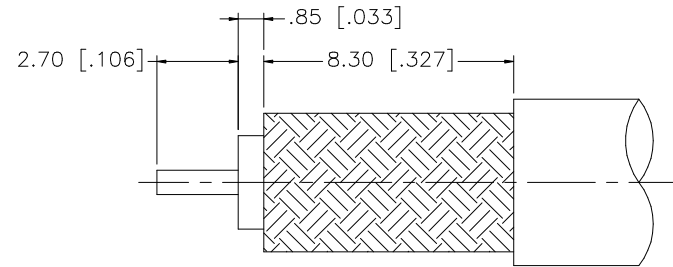
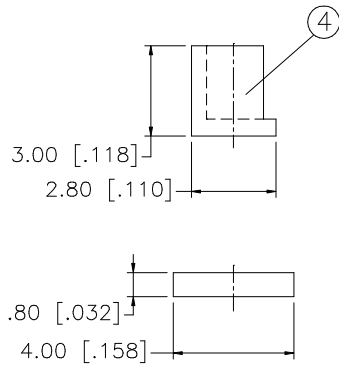
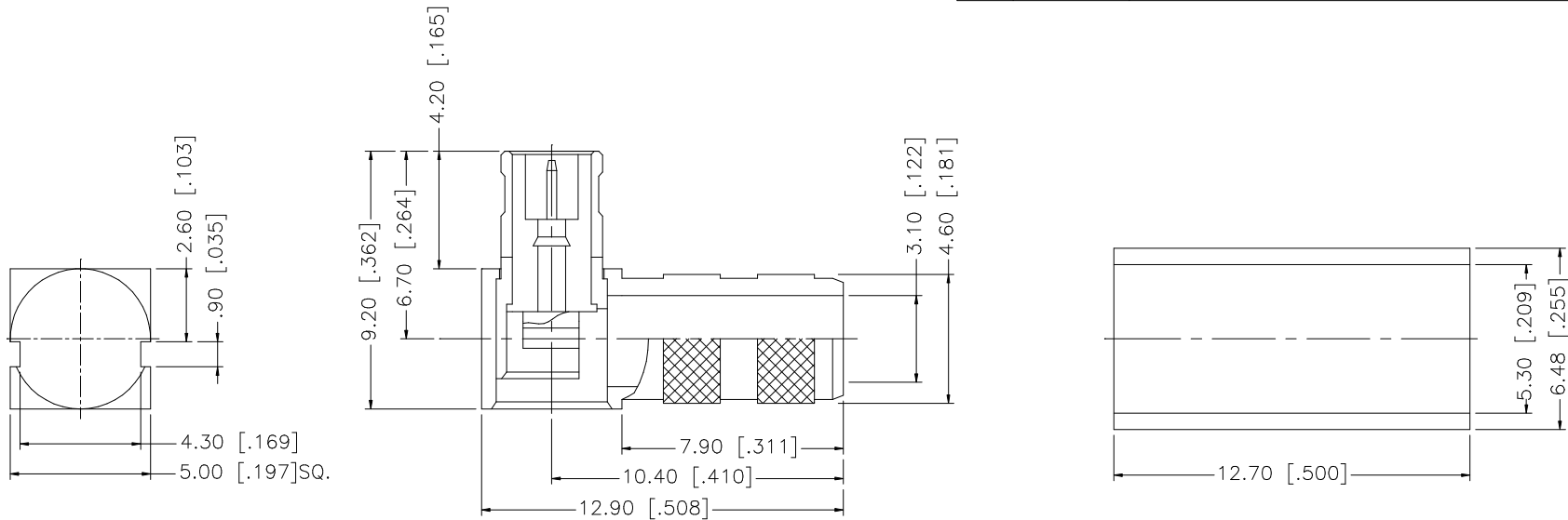


REV.	DATE	DESCRIPTION
NC	12/04/97	INITIAL RELEASE
A	07/20/05	UPDATE DRAWING FORMAT



RECOMMENDED
CABLE STRIPPING DIM'S

DESCRIPTION	MATERIAL	FINISH	QTY	DO NOT SCALE DRAWING	APPROVALS	DATE	Amphenol Connex				
8							MCX R/A CRIMP PLUG – RG58/U PART NO. 252115 DWG. NO. 252115.DWG				
7											
6	FERRULE	COPPER	GOLD	1	DRAWN	G.R.S.					07/20/05
5	COVER	BRASS	GOLD	1	CHECKED						
4	INSULATOR	DELTRIN	NATURAL	1	ISSUED						
3	CONTACT PIN	BER. COPPER	GOLD	1	SHEET	1 OF 1					
2	INSULATOR	TEFLON	NATURAL	1							
1	BODY	BRASS	GOLD	1							
					CAD FILE	C:/252/252115.DWG					

UNLESS OTHERWISE SPECIFIED DIMENSIONS ARE IN MILLIMETERS. DIMENSIONS IN [] ARE IN INCHES AND FOR CUSTOMER REFERENCE ONLY.

UNLESS OTHERWISE SPECIFIED TOLERANCES FOR MILLIMETERS ARE:
 0.5 – 8mm ± 0.20mm
 8 – 30mm ± 0.40mm
 30 – 120mm ± 0.50mm

UNLESS OTHERWISE SPECIFIED TOLERANCES FOR INCHES ARE:
 .020 – .315 = ± 0.007"
 .315 – 1.180 = ± 0.015"
 1.180 – 4.724 = ± 0.020"