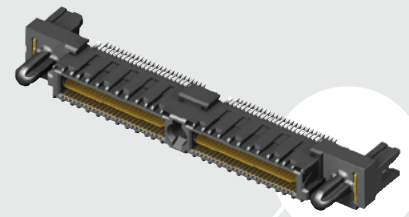


QMS-026-01-SL-D-EM2-PC4



QMS-052-01-SL-D-EM2

QMS-EM SERIES

(0.635 mm) .025"

EDGE MOUNT GROUND PLANE HEADER

SPECIFICATIONS

For complete specifications and recommended PCB layouts see www.samtec.com?QMS-EM

Insulator Material:

Liquid Crystal Polymer
Terminal & Ground

Plane Material:

Phosphor Bronze

Plating:

Au over 50 μ" (1.27 μm) Ni (Tin on Ground Plane Tail)

Voltage Rating:

300 VAC

Operating Temp:

-55 °C to +125 °C

RoHS Compliant:

Yes

Lead-Free Solderable:

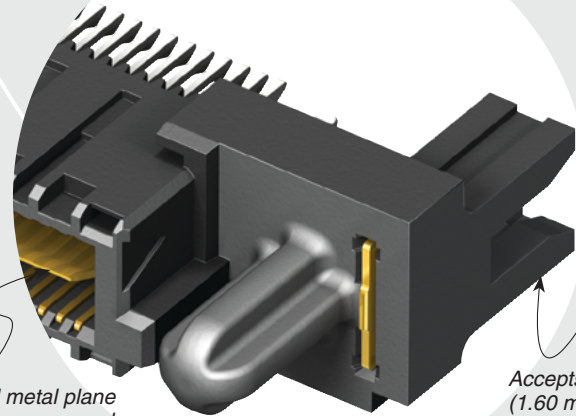
Yes

Board Mates:

QFS

RUGGEDIZED
BY SAMTEC

- Increased insertion depth
- Integral guide post



Integral metal plane for power or ground

Accepts (1.60 mm) .062" PCB thickness

RECOGNITIONS

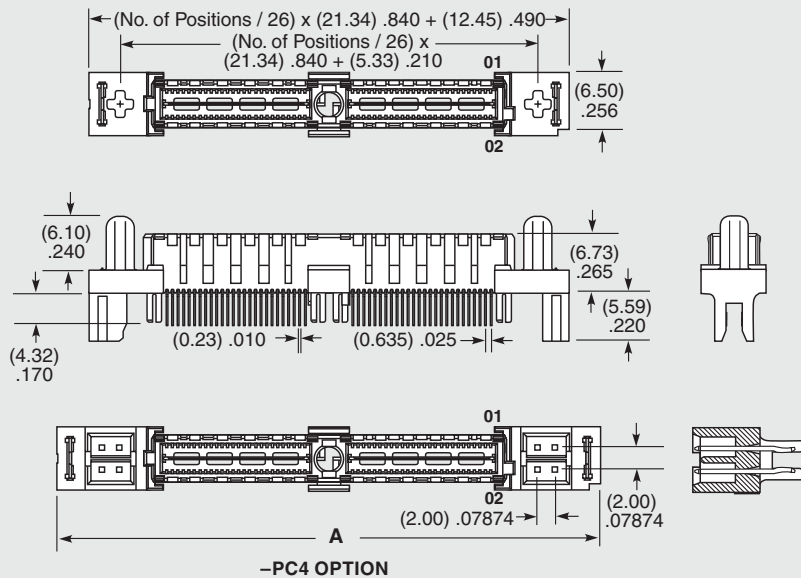
For complete scope of recognitions see www.samtec.com/quality



QMS	NO. OF POSITIONS	01	PLATING OPTION	D	EM2	END OPTION	OTHER OPTION
	-026, -052, -078 (Per Row)		-SL = 10 μ" (0.25 μm) Gold on Signal Pins and Ground Plane, Matte Tin on tails			-PC4 = 4 Power Pins per End	-TR = Tape & Reel Packaging (-026 & -052 positions only)

ALSO AVAILABLE (MOQ Required)

- Other platings
- 8 Power pins per end
- Differential Pairs
- 104 positions per row



NO. OF POSITION	A
-026	(41.05) 1.616
-052	(62.38) 2.456
-078	(83.72) 3.296

Note:
Some lengths, styles and options are non-standard, non-returnable.

Due to technical progress, all designs, specifications and components are subject to change without notice.

WWW.SAMTEC.COM

All parts within this catalog are built to Samtec's specifications. Customer specific requirements must be approved by Samtec and identified in a Samtec customer-specific drawing to apply.