

**SPECIFICATIONS**

**Material:** HEXSEALS: Silicone rubber conforms to A-A-59588 Class III, GR 50 unless otherwise specified.

**Temperature Range:** HEXSEALS: -94°F to +400°F

**Pressure Range:** Exceeds 15 psi internal and 1500 psi external.

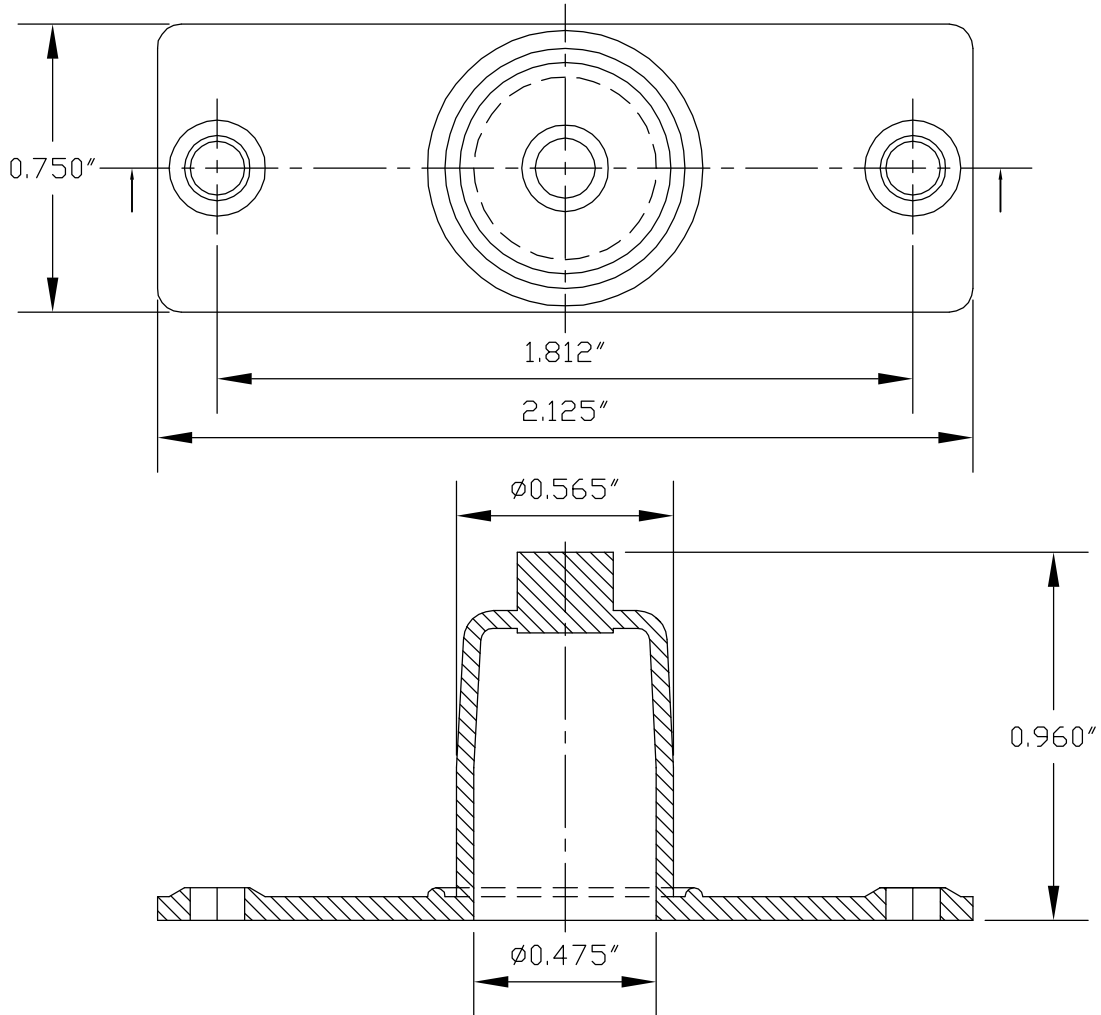
**Operational Life:** 50,000 actuations (minimum).

**Shelf Life:** Excess of 25 years.

**Resistant to:** Salt spray, sunlight, ozone, weather, fungus, and most acids and lubricating oils

**Agency Recognition:** E-SEELS and HEXSEALS are UL-listed to UL Std. 50 types 1-13, and meet CSA standards.

**Installation:** If a reducing adaptor is required - see page 14 of HEXSEAL catalog HEX200 for part numbers and drawing.



C	MAT'L CHANGED, REDRAWN, WAS 0.453" TO 0.475", WAS 0.531" TO 0.565" and WAS 0.906" TO 0.960"		09.14.09
B	CAD COMPUTER GENERATED		09.23.02
A	REDRAWN	T. CARBONE	09.18.69
REV.	DESCRIPTION		DATE
MAXIMUM AND MINIMUM MEASUREMENTS ARE STATED DIRECTLY ON EACH DIMENSION.	TITLE: BOOT, PUSHBUTTON SWITCH, BACK-OF-PANEL (3050)	ENG. S. GOK	09.14.09
MAT'L: SILICONE RUBBER PER A-A-59588 CL III GR50		DWN. M. M.	
FINISH: TRANSPARENT CLEAR	APM-HEXSEAL CORPORATION	CHKD. J. CELLA	09.14.09
	SCALE 2:1	DWG. NO. (3050) HEXSEAL®	

THIS DRAWING COVERS PROPRIETARY ITEM AND IS THE PROPERTY OF THE APM-HEXSEAL CORPORATION. THIS DRAWING IS NOT TO BE COPIED OR USED WITHOUT THE WRITTEN APPROVAL OF AN OFFICER OF THE APM-HEXSEAL CORPORATION.

# Mouser Electronics

Authorized Distributor

Click to View Pricing, Inventory, Delivery & Lifecycle Information:

[APM HEXSEAL:](#)

[3050](#)