
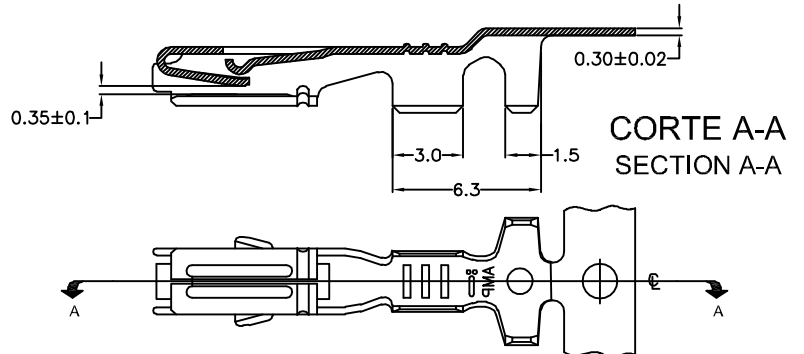
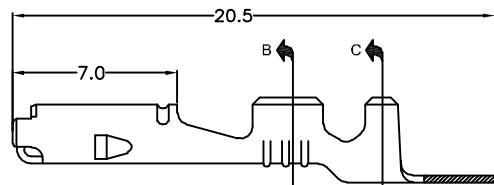


THIS DRAWING IS A CONTROLLED DOCUMENT.

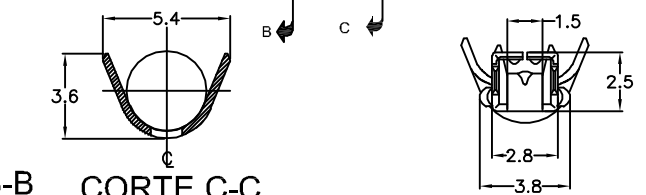
 DO NOT REVISE EXCEPT BY CAD	LOC	DIST	REVISIONS			DATE	DWN	APVD
	AP	—	P	LTR	DESCRIPTION	02APR13	NCL	MG
			C1		REVISED DRAWING ECO-13-004694			



CORTE A-A
SECTION A-A


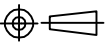


CORTE B-B
SECTION B-B



CORTE C-C
SECTION C-C

WIRE RANGE 1,0-1,5mm ² ISUL. RANGE DIA. 1,4-2,4	PRÉ-PRATEADO PRÉ-SILVER	LATÃO BRASS	880698-3
	PRÉ-ESTANHADO PRE TIN	BRONZE FOSFOROSO PHOS. BRONZE	880698-2
	PRÉ-ESTANHADO PRE TIN	LATÃO BRASS	880698-1
	FINISH	MATERIAL	PART NUMBER

DIMENSIONS: mm		DWN H.LIVERARO 25JAN01	MATERIAL VER TABELA/SEE TABLE	FINISH VER TABELA/SEE TABLE
TOLERANCES UNLESS OTHERWISE SPECIFIED:		CHK N.C.LAPRESA 25JAN01	 TE Connectivity	
0 PLC ± - 1 PLC ± 0.3 2 PLC ± - 3 PLC ± 3 4 PLC ± - ANGLES ±		APVD L.G.DALTO 25JAN01		
		PRODUCT SPEC —	NAME TERMINAL, 1.8 ECONOSEAL "J" SERIES MARK II+ REC.	
		APPLICATION SPEC —	SIZE A4	CAGE CODE 00779
		WEIGHT —	DRAWING NO C=880698	RESTRICTED TO —
CUSTOMER DRAWING			SCALE 1:1	SHEET 1 of 1
			REV C1	

THIS DRAWING IS UNPUBLISHED. ALL RIGHTS RESERVED.