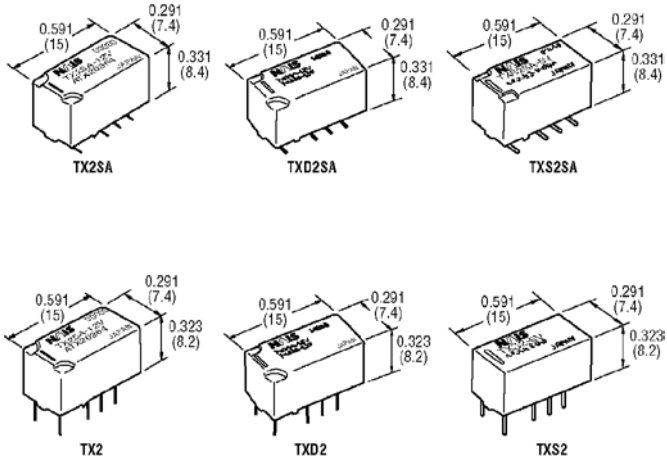


TX Series High Capacity Relays



2 amp. Breakdown Voltage: 2000 V between contacts and coil. Surge Voltage Withstand: 2500 V (Bellcore). 2 Form C contact arrangement. TXD is high insulation type; TXS is high sensitivity type. Operating Temperature: -40°C to +85°C. UL/CSA.

Surface Mount
Single Side Stable

Table with columns: Stock No., Mfr.'s Type, Volts (DC), Coil (Ω), Power (mW), EACH (1-49, 50-99, 100-499). Lists various TX2SA, TXD2SA, TXS2SA models.

1 Coil Latching

Table with columns: Stock No., Mfr.'s Type, Volts (DC), Coil (Ω), Power (mW), EACH (1-49, 50-99, 100-499). Lists TXD2SA-L models.

2 Coil Latching

Table with columns: Stock No., Mfr.'s Type, Volts (DC), Coil (Ω), Power (mW), EACH (1-49, 50-99, 100-499). Lists TX2SA-L2 and TXS2SA-L2 models.

Through Hole
Single Side Stable

Table with columns: Stock No., Mfr.'s Type, Volts (DC), Coil (Ω), Power (mW), EACH (1-49, 50-99, 100-499). Lists TX2, TXD2, TXS2 models.

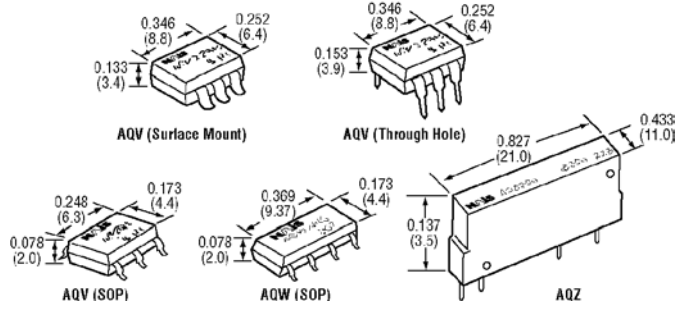
1 Coil Latching

Table with columns: Stock No., Mfr.'s Type, Volts (DC), Coil (Ω), Power (mW), EACH (1-49, 50-99, 100-499). Lists TXD2-L models.

2 Coil Latching

Table with columns: Stock No., Mfr.'s Type, Volts (DC), Coil (Ω), Power (mW), EACH (1-49, 50-99, 100-499). Lists TX2-L2 and TXS2-L2 models.

PhotoMOS Solid State Relays



Combine the advantages of solid state and mechanical relays and offer excellent performance in a complete line-up. Through hole and surface mount types, SOP types, high isolation types, H in Mfr.'s Type indicates reinforced I/O isolation types. Low capacitance type (CxR=20). Power PhotoMOS types. Also, high sensitivity, multi-channel, Soft-ON/Soft-OFF types. Current limiting types.

Surface Mount

Table with columns: Stock No., Mfr.'s Type, Volts AC/DC, On (Ω), Output Power (mW), Contact Arrangement, EACH (1-49, 50-99, 100-499). Lists AQV and AQW models.

Through Hole

Table with columns: Stock No., Mfr.'s Type, Volts AC/DC, On (Ω), Output Power (mW), Contact Arrangement, EACH (1-49, 50-99, 100-499). Lists AQV and AQW models.

SOP Types

Table with columns: Stock No., Mfr.'s Type, Volts AC/DC, On (Ω), Output Power (mW), Contact Arrangement, EACH (1-49, 50-99, 100-499). Lists AQV210S and AQV414S models.

AQZ Power PhotoMOS Relays

Table with columns: Stock No., Mfr.'s Type, Volts AC/DC, On (Ω), Output Power (mW), Contact Arrangement, EACH (1-49, 50-99, 100-499). Lists AQZ models.