

Synchronous Switcher Controller With 2-A LDO for GPU Power

FEATURES

- **Switcher Controller:**
 - Adjustable-Output Buck Converter, 0.75 V to 3.3 V
 - Wide Input Voltage Range: 3.0-V to 28-V
 - D-CAP™ Mode with 100-ns Load Step Response
 - Current Mode Option Supports Ceramic Output Capacitors
 - Current Sensing From $R_{DS(ON)}$ or Resistor
 - Internal Switch Supports Dynamic Output Voltage Change
 - Advanced PGOOD Mask Feature
 - Equipped With PGOOD, OVP and UVP
 - Output Discharge
 - 5 V UVLO Protection
- **LDO Regulator:**
 - 2-A LDO for GPU I/O Power
 - Input Range: Up to 5 V
 - Output Range: 0.75 V to 3.3 V
 - Requires Only 20- μ F Ceramic Output Capacitor for LDO Output

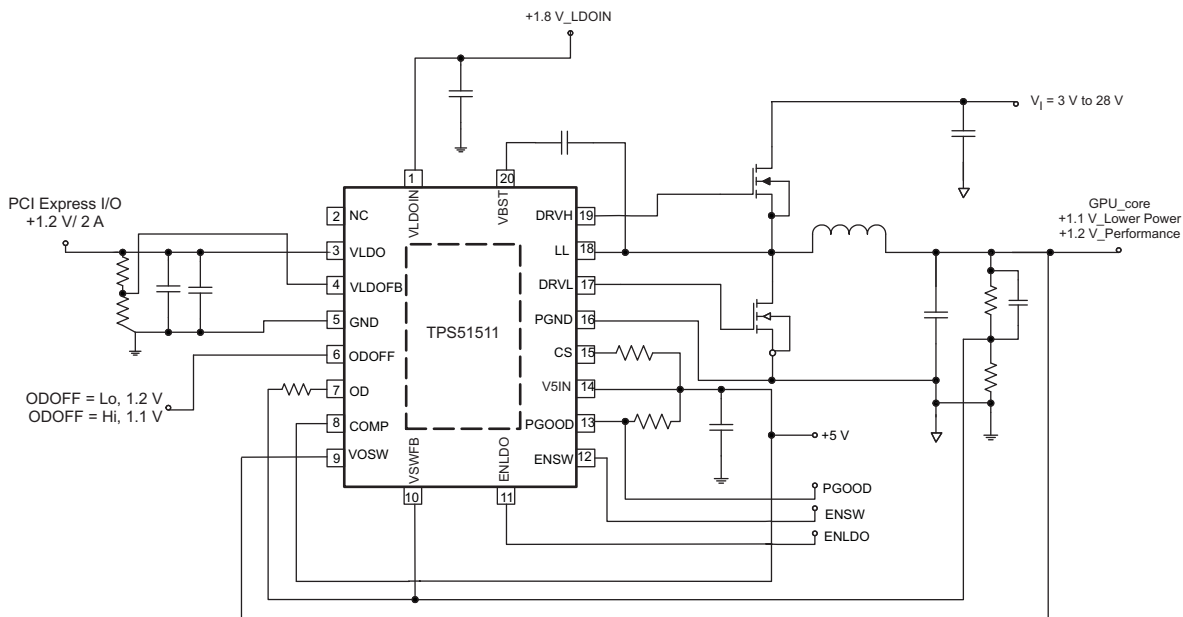
- Optional PGOOD
- Output Discharge
- Thermal Shutdown

APPLICATIONS

- GPU Power
- Notebook Computers

DESCRIPTION

The TPS51511 is a 350-kHz D-CAP-mode synchronous switcher with a 2-A, source-only low drop-out (LDO) regulator. It is specifically designed for low cost/low noise/low external-component count power systems for GPU applications. The integrated 'OD' switch in the buck controller supports dynamic output voltage change. The current mode option of the synchronous buck converter can support pure output ceramic-capacitor applications. The open-drain LDO power-good signal can be accessed through the OD pin when it is needed in the application. The TPS51511 is available in the thermally-enhanced 20-pin QFN package, and is specified from -40°C to 85°C .



Please be aware that an important notice concerning availability, standard warranty, and use in critical applications of Texas Instruments semiconductor products and disclaimers thereto appears at the end of this data sheet.

D-CAP, PowerPAD are trademarks of Texas Instruments.



These devices have limited built-in ESD protection. The leads should be shorted together or the device placed in conductive foam during storage or handling to prevent electrostatic damage to the MOS gates.

ORDERING INFORMATION

T _A	PACKAGED DEVICES	ORDERING PART NUMBER	PINS	OUTPUT SUPPLY	MINIMUM ORDER QUANTITY	ECO PLAN
-40°C to 85°C	PLASTIC RHL	TPS51511RHLT	20	Small Tape-and-Reel	250	Green (RoHS and no Sb/Br)
		TPS51511RHLL		Tape-and-Reel	3000	

ABSOLUTE MAXIMUM RATINGS

over operating free-air temperature range (unless otherwise noted)⁽¹⁾

		VALUE	UNIT	
Input voltage range ⁽²⁾	VBST	-0.3 to 36	V	
	VBST ⁽³⁾	-0.3 to 6	V	
	V5IN, VLDOIN	-0.3 to 6	V	
	CS, VLDOFB, VOSW	-0.3 to 6	V	
	ENSW, ENLDO, VSWFB, ODOFF	-0.3 to 6	V	
	PGND	-0.3 to 0.3	V	
Output voltage range ⁽²⁾	DRVH	-1.0 to 36	V	
	LL	-1.0 to 30	V	
	DRVL	-0.3 to 6	V	
	VLDO, OD, COMP, PGOOD	-0.3 to 6	V	
θ _{JA}	Thermal information	Junction-to-Ambient thermal resistance	53.34	°C/W
θ _{JC}		Junction-to-PowerPAD thermal resistance	8.84	°C/W
T _A	Operating ambient temperature range		-40 to 85	°C
T _J	Operating junction temperature range		-40 to 125	°C
T _{stg}	Storage temperature		-55 to 150	°C

- (1) Stresses beyond those listed under *absolute maximum ratings* may cause permanent damage to the device. These are stress ratings only and functional operation of the device at these or any other conditions beyond those indicated under *recommended operating conditions* is not implied. Exposure to absolute-maximum-rated conditions for extended periods may affect device reliability.
- (2) All voltage values are with respect to the network ground terminal unless otherwise noted.
- (3) Voltage value is with respect to the LL terminal.

RECOMMENDED OPERATING CONDITIONS

over operating free-air temperature range (unless otherwise noted)

		MIN	MAX	UNIT	
Supply voltage	V5IN	4.75	5.25	V	
Voltage range	VBST, DRVH	-0.1	34	V	
	LL	-0.6	28		
	VLDO, VLDOFB, VOSW	-0.1	3.6		
	PGND	-0.1	0.1		
	ENSW, ENLDO, ODOFF, PGOOD, CS, COMP, DRVL, OD, VSWFB, VLDOIN	-0.1	5.25		
T _A	Operating free-air temperature		-40	85	°C

ELECTRICAL CHARACTERISTICS

over operating free-air temperature range, $V_{5IN} = 5\text{ V}$ (unless otherwise noted)

PARAMETER		TEST CONDITIONS	MIN	TYP	MAX	UNIT
SUPPLY CURRENT						
I_{V5IN1}	Supply current 1, V_{5IN}	$T_A = 25^\circ\text{C}$; No load, $V_{ENSW} = V_{ENLDO} = 5\text{ V}$, COMP connected to capacitor		0.8	2	mA
I_{V5IN2}	Supply current 2, V_{5IN}	$T_A = 25^\circ\text{C}$; No load, $V_{ENSW} = 5\text{ V}$, $V_{ENLDO} = 0\text{ V}$, COMP connected to capacitor		300	600	μA
I_{V5IN3}	Supply current 3, V_{5IN}	$T_A = 25^\circ\text{C}$; No load, $V_{ENSW} = 5\text{ V}$, $V_{ENLDO} = 0\text{ V}$, $V_{COMP} = 5\text{ V}$		240	500	μA
$I_{V5INSDN}$	Shutdown current, V_{5IN}	$T_A = 25^\circ\text{C}$; No load, $V_{ENSW} = V_{ENLDO} = 0\text{ V}$		0.1	1.0	μA
$I_{VLDOIN1}$	Supply current 1, VLDOIN	$T_A = 25^\circ\text{C}$; No load, $V_{ENSW} = V_{ENLDO} = 5\text{ V}$		1	15	μA
$I_{VLDOIN2}$	Supply current 2, VLDOIN	$T_A = 25^\circ\text{C}$; No load, $V_{ENSW} = 0\text{ V}$, $V_{ENLDO} = 5\text{ V}$,		0.1	15	μA
$I_{VLDOINSDN}$	Standby current, VLDOIN	$T_A = 25^\circ\text{C}$; No load, $V_{ENSW} = V_{ENLDO} = 0\text{ V}$		0.1	1	μA
LDO						
V_{LDOFB}	LDO feedback voltage	$-40^\circ\text{C} < T_A < 85^\circ\text{C}$ $V_{LDOIN} = 1.8\text{ V}$, V_{VLDO} set to 1.2 V	745.6	757	768.3	mV
ΔV_{VLDO}	LDO load regulation	$0\text{ A} < I_{LDO} < 2\text{ A}$, $V_{LDOIN} = 2.5\text{ V}^{(1)}$, V_{VLDO} set to 1.2 V, $0^\circ\text{C} < T_A < 85^\circ\text{C}$		30		mV
I_{LDOOC}	LDO current limit	$V_{LDOIN} = 2.5\text{ V}^{(1)}$, $V_{LDO} = 1.2\text{ V}$, $C_{OUT} = 2 \times 10\text{ }\mu\text{F}$, Raise the output current until it is limited	2	2.5	3.5	A
$I_{VLDOFBBIAS}$	LDO feedback bias current	$V_{ENLDO} = 5\text{ V}$, $V_{LDOIN} = 1.8\text{ V}$, $V_{LDOFB} = 0.8\text{ V}$	-1	-0.2	1	μA
$I_{VLDOFBLK}$	LDO feedback leak current	$V_{ENLDO} = 0\text{ V}$, $V_{LDOIN} = 1.8\text{ V}$, $V_{LDOFB} = 0.8\text{ V}$	-1		1	μA
$R_{DS(ON)}$	Series resistance	$V_{VLDO} = 2.5\text{ V}$, $I_{VLDO} = 1\text{ A}$; Reduce V_{LDOIN} until V_{VLDO} drops to 2.425 V, $T_A = 25^\circ\text{C}$		0.18 ⁽²⁾		Ω
		$V_{VLDO} = 1.8\text{ V}$, $I_{VLDO} = 1\text{ A}$; Reduce V_{LDOIN} until V_{VLDO} drops to 1.746 V, $T_A = 25^\circ\text{C}$		0.16 ⁽²⁾		
		$V_{VLDO} = 1.2\text{ V}$, $I_{VLDO} = 1\text{ A}$; Reduce V_{LDOIN} until V_{VLDO} drops to 1.164 V, $T_A = 25^\circ\text{C}$		0.15 ⁽²⁾		
$I_{VLDODischg}$	VLDO discharge current	$V_{ENLDO} = 0\text{ V}$, $V_{LDO} = 0.5\text{ V}$	10	17	40	mA
OPEN DRAIN SWITCH						
$V_{ODOFFth1}$	Open drain enable threshold voltage	Turn on threshold voltage	0.698	0.716	0.735	V
		Hysteresis		38		mV
$V_{ODOFFth2}$		Second threshold voltage		1.25		V
		Hysteresis		8		mV
$T_{ODOFFth1delay}$		Turn on threshold voltage \geq Turn off threshold voltage		32		μs
R_{OD}	Open drain resistance	$T_A = 25^\circ\text{C}$; $V_{OD} = 0.5\text{ V}$, $V_{ODOFF} = 0\text{ V}$		13	50	Ω
I_{ODLEAK}	OD switch current leakage	$T_A = 25^\circ\text{C}$; $V_{ODOFF} = 5\text{ V}$	-1		1	μA
$I_{ODOFFBIAS}$	Open drain enable bias current	$T_A = 25^\circ\text{C}$; $V_{ODOFF} = 5\text{ V}$	-1		1	μA

(1) Because of the voltage drop on the contact of the test fixture, V_{LDOIN} is set at 2.5 V.

(2) Ensured by design. Not production tested.

ELECTRICAL CHARACTERISTICS (continued)over operating free-air temperature range, $V_{V5IN} = 5\text{ V}$ (unless otherwise noted)

PARAMETER		TEST CONDITIONS	MIN	TYP	MAX	UNIT
VOSW OUTPUT						
V_{VSWFB}	VSWFB regulation voltage	$T_A = 25^\circ\text{C}$	740.2	750	759.8	mV
		$T_A = 0\text{ to }85^\circ\text{C}$ (3)	738.7	750	761.3	
		$T_A = -40\text{ to }85^\circ\text{C}$ (3)	738.0	750	762.0	
R_{VOSW}	Input impedance, VOSW		750			k Ω
I_{VSWFB}	Input current, VSWFB	VSWFB = 0.78 V, COMP = open		-0.04		μA
		VSWFB = 0.78 V, COMP = 5 V		-0.06		μA
$I_{VOSWDischg}$	Discharge current, VOSW	ENSW = 0 V, VOSW = 0.5 V	8	15	35	mA
TRANSCONDUCTANCE AMPLIFIER						
gm	Gain	$T_A = 25^\circ\text{C}$	240	300	360	μS
$I_{COMPSNK}$	COMP maximum sink current	ENLDO=0 V, ENSW=5 V, VSWFB=0 V, VOSW=1.94 V, COMP=1.28 V		13		μA
$I_{COMPSRC}$	COMP maximum source current	ENLDO=0 V, ENSW=5 V, VSWFB=0 V, VOSW=1.66 V, COMP=1.28 V		-13		μA
V_{COMPHI}	COMP high clamp voltage	ENLDO=0 V, ENSW=5 V, VSWFB=0 V, CS=0 V, VOSW=1.66 V	1.31	1.34	1.37	V
V_{COMPLO}	COMP low clamp voltage	ENLDO=0 V, ENSW=5 V, VSWFB=0V, CS=0 V, VOSW=1.94 V	1.18	1.21	1.24	V
DUTY CONTROL						
T_{ON}	Operation on time	$V_{IN} = 12\text{ V}$, VOSW = 1.8 V		400		ns
T_{ON0}	Startup on time	$V_{IN} = 12\text{ V}$, VOSW = 0 V		125		ns
T_{ONMIN}	Minimum on time	$T_A = 25^\circ\text{C}$		100		ns
T_{OFFMIN}	Minimum off time	$T_A = 25^\circ\text{C}$		350		ns
OUTPUT DRIVERS						
R_{DRVH}	DRVH resistance	Source, $I_{DRVH} = -100\text{ mA}$		3	6	Ω
		Sink, $I_{DRVH} = 100\text{ mA}$		0.9	3	
R_{DRVL}	DRVL resistance	Source, $I_{DRVL} = -100\text{ mA}$		3	6	Ω
		Sink, $I_{DRVL} = 100\text{ mA}$		0.9	3	
T_D	Dead time	DRVH-off to DRVL-on ⁽³⁾		10		ns
		DRVL-off to DRVH-on ⁽³⁾		30		
INTERNAL BST DIODE						
V_{FBST}	Forward voltage	$V_{V5IN-VBST}$, $I_F = 10\text{ mA}$, $T_A = 25^\circ\text{C}$	0.7	0.8	0.9	V
I_{VBSTLK}	VBST leakage current	VBST = 34 V, LL = 28 V, VOSW = 1.87 V, $T_A = 25^\circ\text{C}$		0.1	1	μA
ZERO CURRNT COMPARATOR						
V_{ZC}	Zero current comparator offset		-10	0	10	mV

(3) Ensured by design. Not production tested.

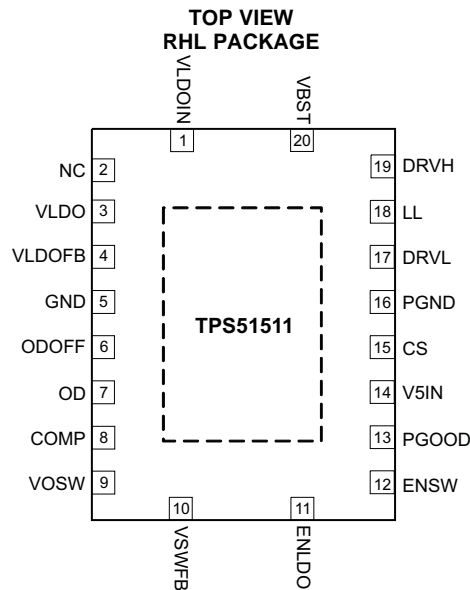
ELECTRICAL CHARACTERISTICS (continued)

over operating free-air temperature range, $V_{V5IN} = 5\text{ V}$ (unless otherwise noted)

PARAMETER		TEST CONDITIONS	MIN	TYP	MAX	UNIT
PROTECTION						
V_{OCL}	Current limit threshold	$V_{PGND-CS}$ voltage, PGOOD = Hi, $V_{CS} < 0.5\text{ V}$	50	60	70	mV
		$V_{PGND-CS}$ voltage, PGOOD = Lo, $V_{CS} < 0.5\text{ V}$	20	30	40	
I_{TRIP}	CS sink current	$V_{CS} > 4.5\text{ V}$, PGOOD = Hi, $T_A = 25^\circ\text{C}$	9	10	11	μA
		$V_{RDS(ON)CS} > 4.5\text{ V}$, PGOOD = Lo, $T_A = 25^\circ\text{C}$	4	5	6	
TC_{ITRIP}	TRIP current temperature coefficient	sense scheme, On the basis of 25°C	4500			ppm/ $^\circ\text{C}$
V_{OCLoff}	OCP comp. offset	$(V_{V5IN-CS} - V_{PGND-LL})$ voltage, $V_{V5IN-CS} = 60\text{ mV}$, $V_{CS} > 4.5\text{ V}$	-10	0	10	mV
V_{Rtrip}	Current limit threshold setting range	$V_{V5IN-CS}$ voltage ⁽⁴⁾	30		150	mV
POWERGOOD COMPARATOR						
V_{TVoPG}	VOSW PG Threshold	PG out from low end	87%	90%	93%	
		PG out from high end	107%	110%	113%	
		PG hysteresis	5%			
I_{PGMAX}	PG Sink Current	VLDO = 0 V, VPGOOD = 0.5 V	2.5	7.5		mA
T_{PGDEL}	PGOOD Delay	Delay for PG in	80	130	200	μs
V_{VOSWTH}	VOSW threshold voltage for turning on PGOOD up limit and OVP feature	$V_{OSW} = 1.5\text{ V}$	1.36			V
	VOSW threshold hysteresis voltage for turning on PGOOD up limit and OVP feature		10			mV
UVLO/LOGIC THRESHOLD						
V_{UVV5IN}	V5IN UVLO threshold	Wake up	3.7	4.0	4.3	V
		Hysteresis	0.15	0.225	0.3	
V_{IH}	High-level input voltage	ENLDO, ENSW	2.2			V
V_{IL}	Low-level input voltage	ENLDO, ENSW				0.3
V_{IHYS}	Hysteresis voltage	ENLDO, ENSW	0.2			V
I_{INLEAK}	Logic input leakage current	ENLDO, ENSW	-1		1	μA
$I_{INVSFVB}$	Input Leakage/Bias Current VSWFB -1 1		-1		1	μA
PROTECTION: UVP AND OVP						
V_{OVP}	VOSW OVP trip threshold	OVP detect	110%	115%	120%	
T_{OVPDEL}	VOSW OVP prop delay	See ⁽⁴⁾	1.5			μs
V_{UVP}	Output UVP trip threshold	UVP detect	70%			
T_{UVPDEL}	Output UVP prop delay		32			clks
T_{UVPEN}	Output UVP enable delay		1007			clks
THERMAL SHUTDOWN						
T_{SDN}	Thermal SDN threshold	Shutdown temperature ⁽⁴⁾	160			$^\circ\text{C}$
		Hysteresis ⁽⁴⁾	10			

(4) Ensured by design. Not production tested.

DEVICE INFORMATION



TERMINAL FUNCTIONS

TERMINAL		I/O	DESCRIPTION
NAME	NO.		
VLDOIN	1	I	Input terminal of the LDO.
NC	2	–	Pin not used. No internal connection.
VLDO	3	O	Output terminal of the LDO. When LDO is turned off, the output capacitor is discharged by an internal FET.
VLDOFB	4	I	Feedback pin of the LDO. A voltage divider sets the LDO output voltage.
GND	5	–	Signal ground. Connect to negative terminal of the LDO output capacitor.
ODOFF	6	I	A comparator input. When this pin is tied to VLDOFB, OD acts as a PGOOD signal for the LDO. When connected to external logic, OD acts like a switch. See Table 1 for detailed information.
OD	7	I/O	The output of the multifunctional open-drain switch.
COMP	8	I/O	Output of the transconductance amplifier for phase compensation in current mode. Connect to V5IN to disable Gm amplifier and enable D-CAP mode.
VOSW	9	I/O	Switcher output voltage monitor. Input for on-time one-shot timer and advanced PGOOD masking comparator.
VSWFB	10	I	Feedback pin of the switcher. A voltage divider connected to this pin sets the switcher output voltage. A resistor connected between this pin and OD pin can be inserted in parallel with the low-side resistor of the voltage divider, according to the ODOFF input, to establish the dynamic voltage step. This terminal is also the input for the OVP, UVP and PGOOD comparators.
ENLDO	11	I	LDO-enable signal input.
ENSW	12	I	Switcher-enable signal input.
PGOOD	13	O	Power-good signal open-drain output. Pulled low when VSWFB voltage falls outside the target window comparator. The upper side of the window comparator will be masked if the VOSW voltage is lower than 1.36 V (typ.). Refer to the Advance PGOOD Mask section for details.
V5IN	14	I	5V Power supply input. This 5 V supplies internal control circuitry, LDO pass FET gate drive, VDRVH and VDRVL gate drivers.
CS	15	I/O	Current-sense comparator input (–) for resistor current-sense mode. If connected to 5VIN through a voltage-setting resistor, constant current sinks through this pin to set the OCL point for the $R_{DS(ON)}$ current-sense mode.
PGND	16	I/O	Ground for bottom MOSFET gate driver. Also current-sense comparator input (+).
DRVL	17	O	Rectifying (bottom) MOSFET gate-drive output.
LL	18	I/O	Switching (top) MOSFET gate driver return. Current sense comparator input (–) for $R_{DS(ON)}$ current-sense mode.
DRVH	19	O	Switching (top) MOSFET gate drive output
VBST	20	I/O	Switching (top) MOSFET driver bootstrap voltage input. Internally connected to V5IN through an PN diode.

TYPICAL CHARACTERISTICS

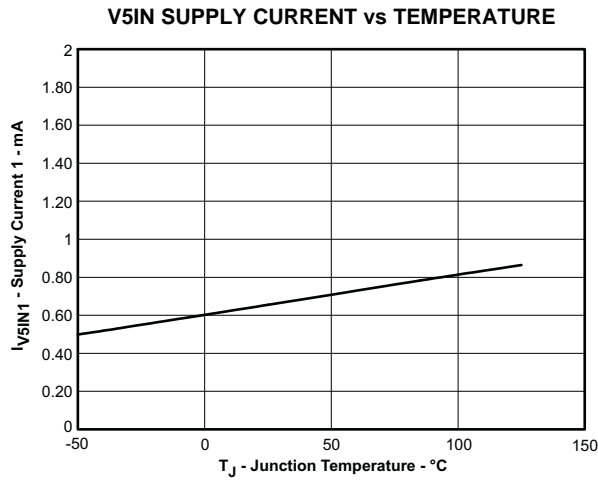


Figure 1.

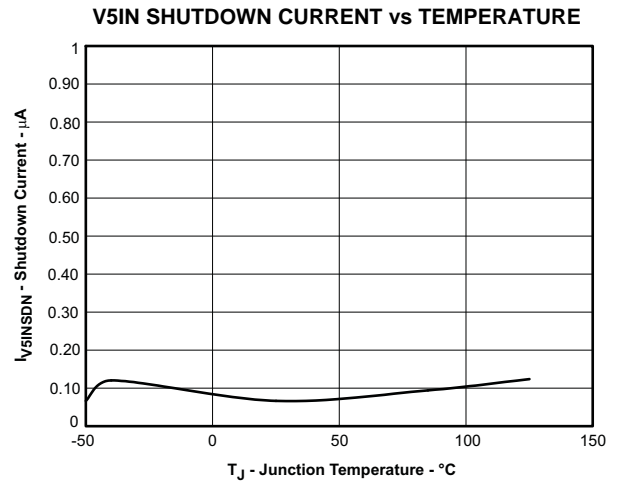


Figure 2.

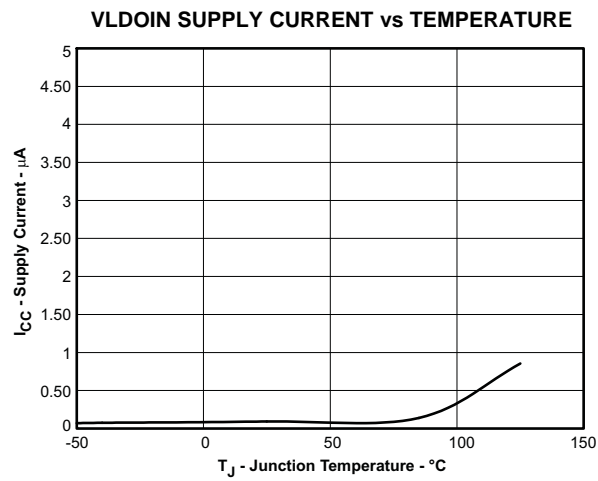


Figure 3.

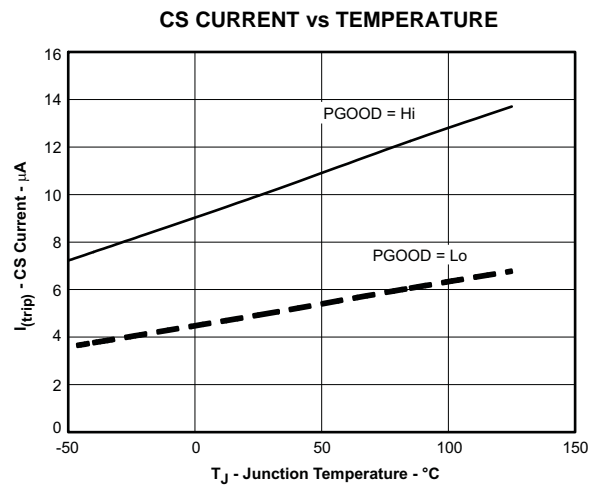


Figure 4.

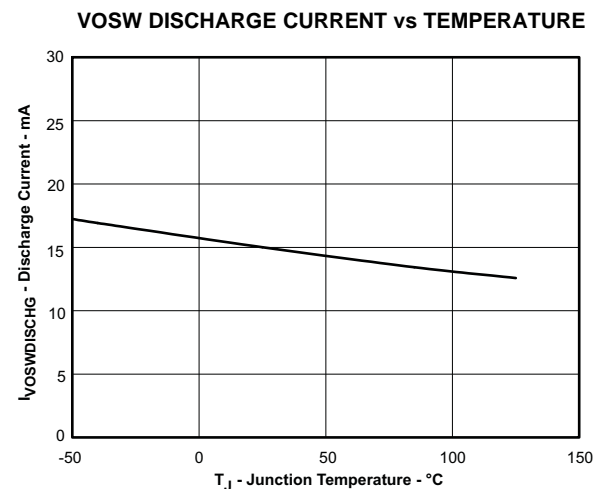


Figure 5.

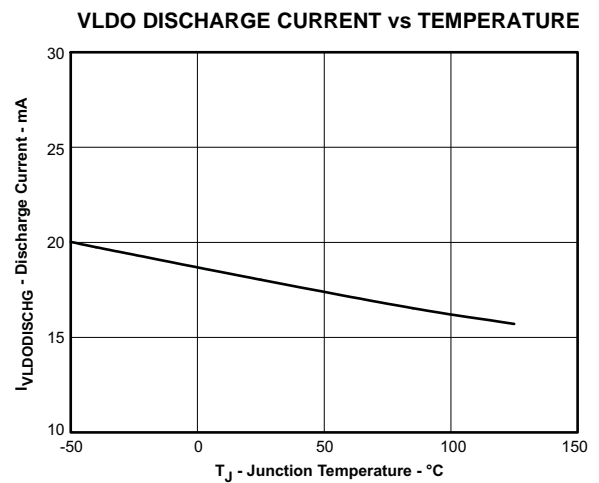


Figure 6.

TYPICAL CHARACTERISTICS (continued)

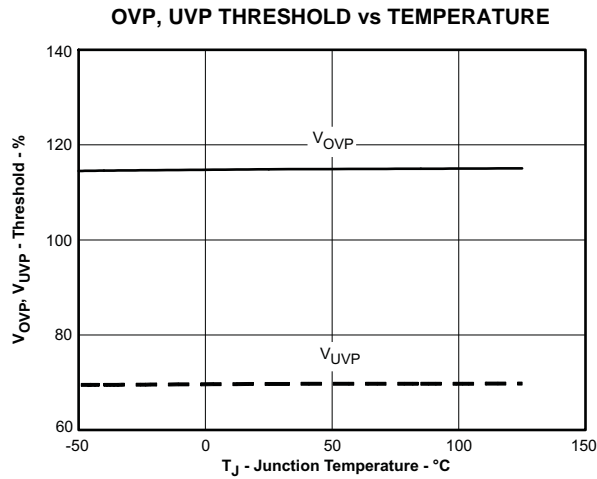


Figure 7.

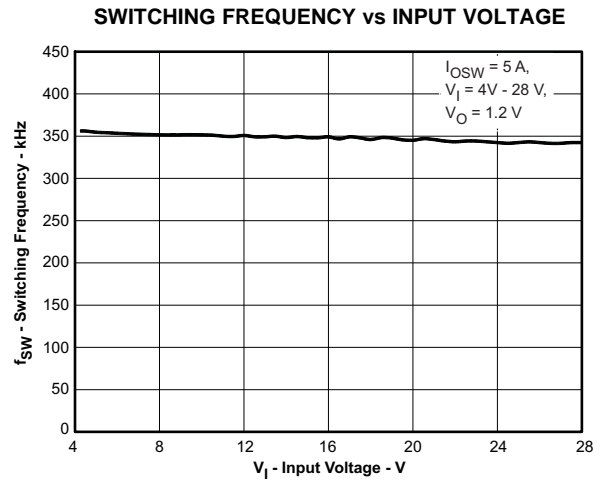


Figure 8.

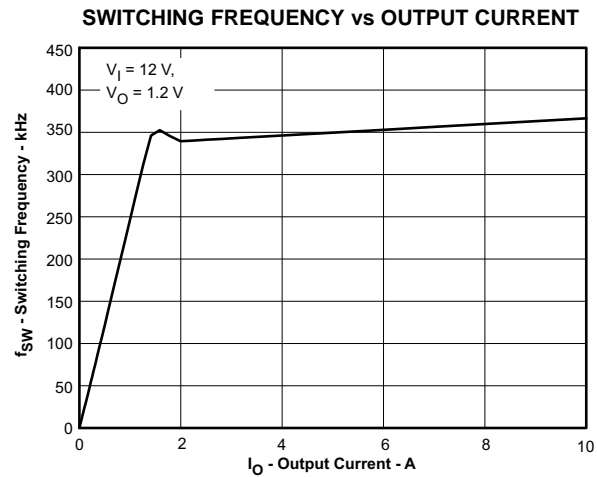


Figure 9.

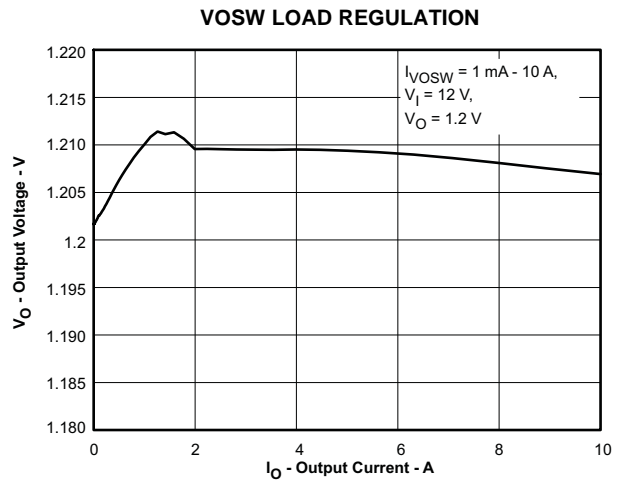


Figure 10.

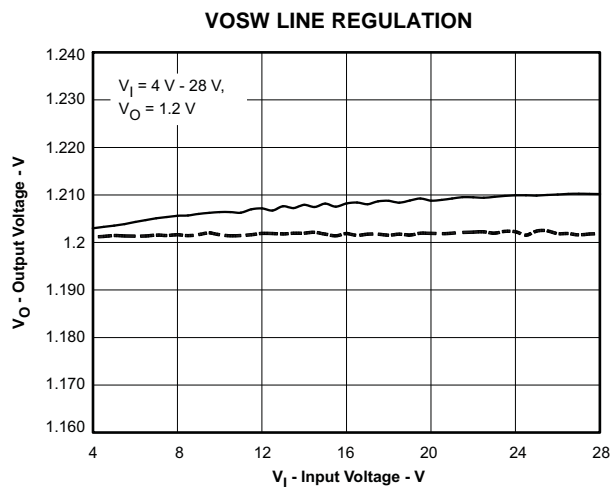


Figure 11.

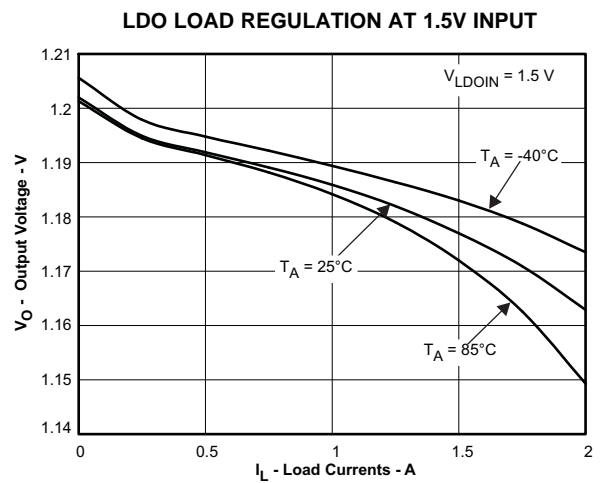


Figure 12.

TYPICAL CHARACTERISTICS (continued)

LDO LOAD REGULATION AT 1.8V INPUT

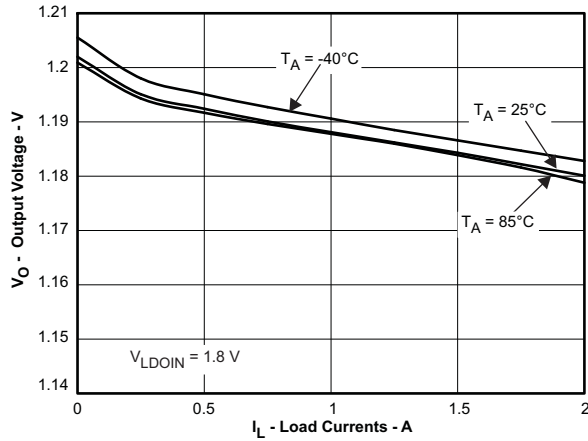


Figure 13.

VOSW EFFICIENCY

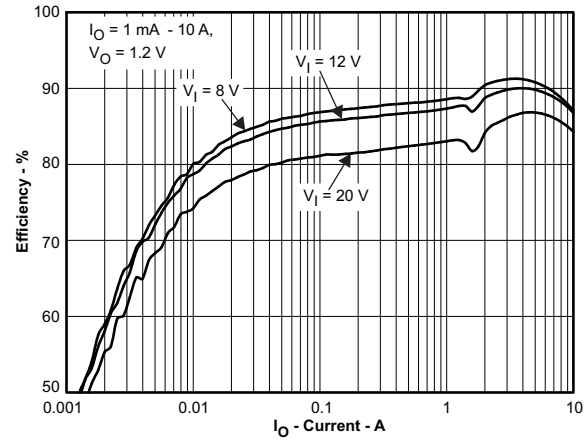


Figure 14.

RIPPLE WAVEFORMS, HEAVY LOAD CONDITION

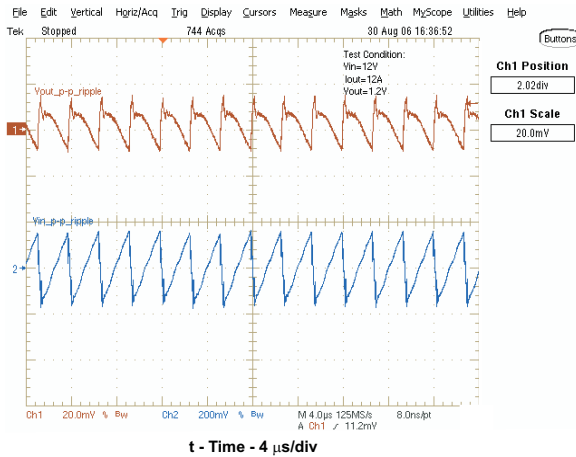


Figure 15.

VOSW LOAD TRANSIENT RESPONSE

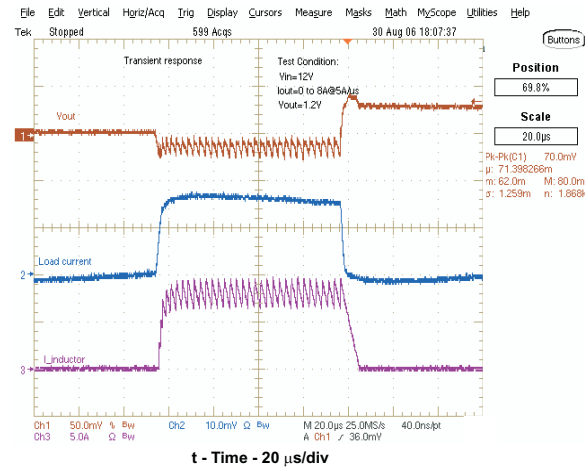


Figure 16.

VLDO LOAD TRANSIENT RESPONSE

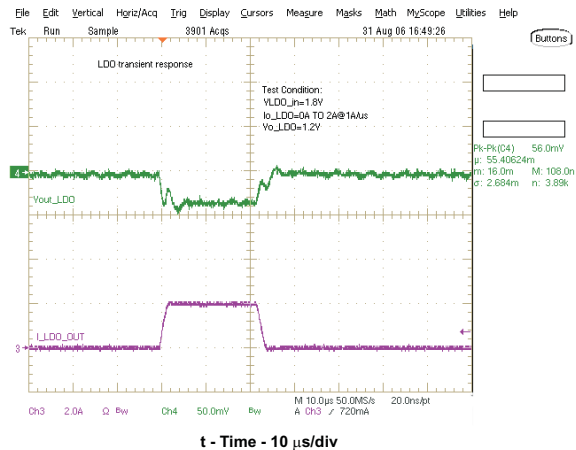


Figure 17.

VOSW START-UP WAVEFORMS

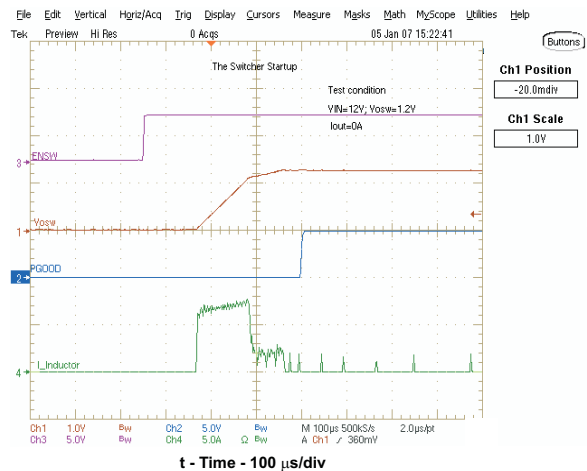


Figure 18.

TYPICAL CHARACTERISTICS (continued)

VOSW SHUT-DOWN WAVEFORMS

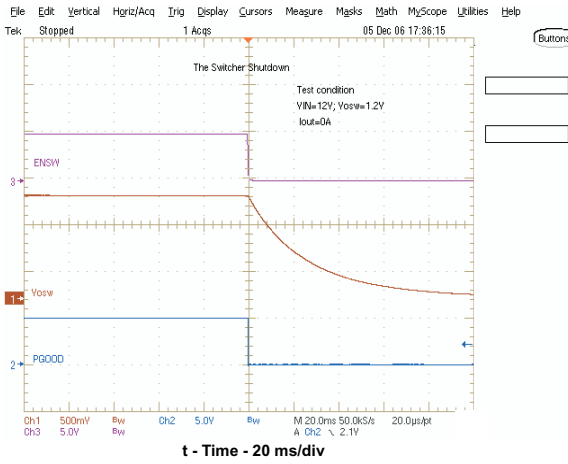


Figure 19.

VLDO START-UP WAVEFORMS

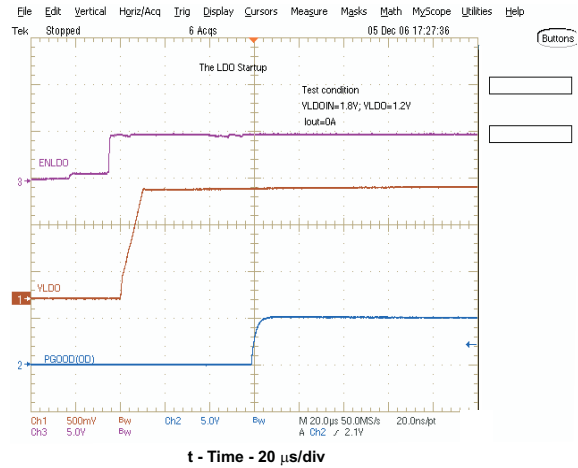


Figure 20.

VLDO SHUT-DOWN WAVEFORMS

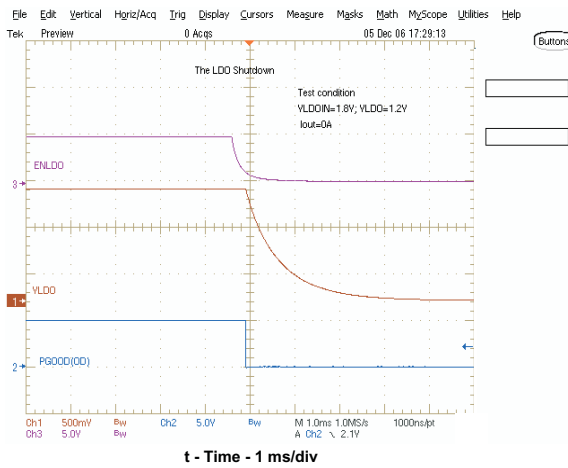


Figure 21.

VOSW BODE PLOT (CURRENT MODE)

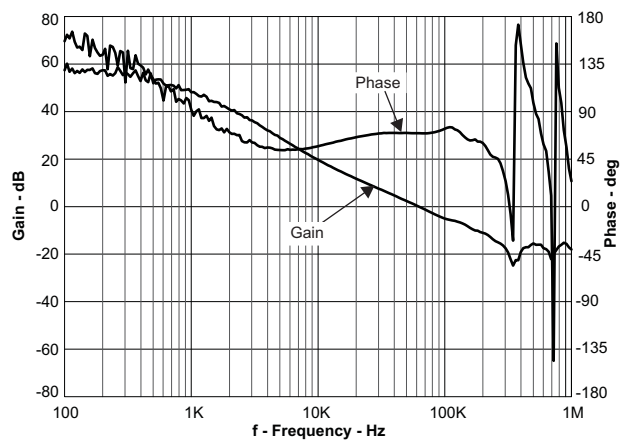


Figure 22.

DYNAMIC VOLTAGE STEP-UP WAVEFORMS

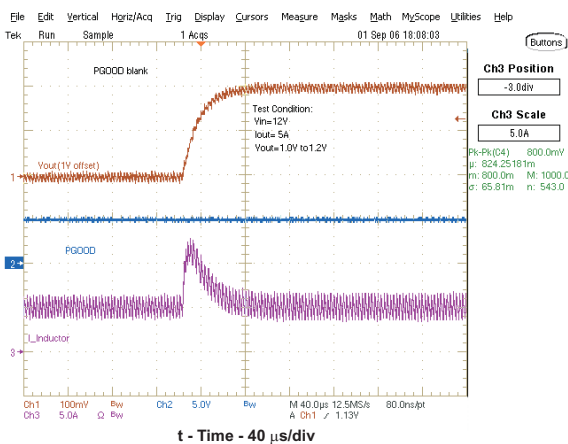


Figure 23.

DYNAMIC VOLTAGE STEP-DOWN WAVEFORMS

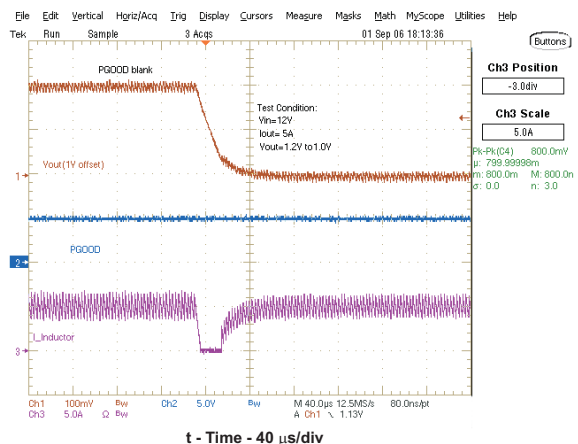
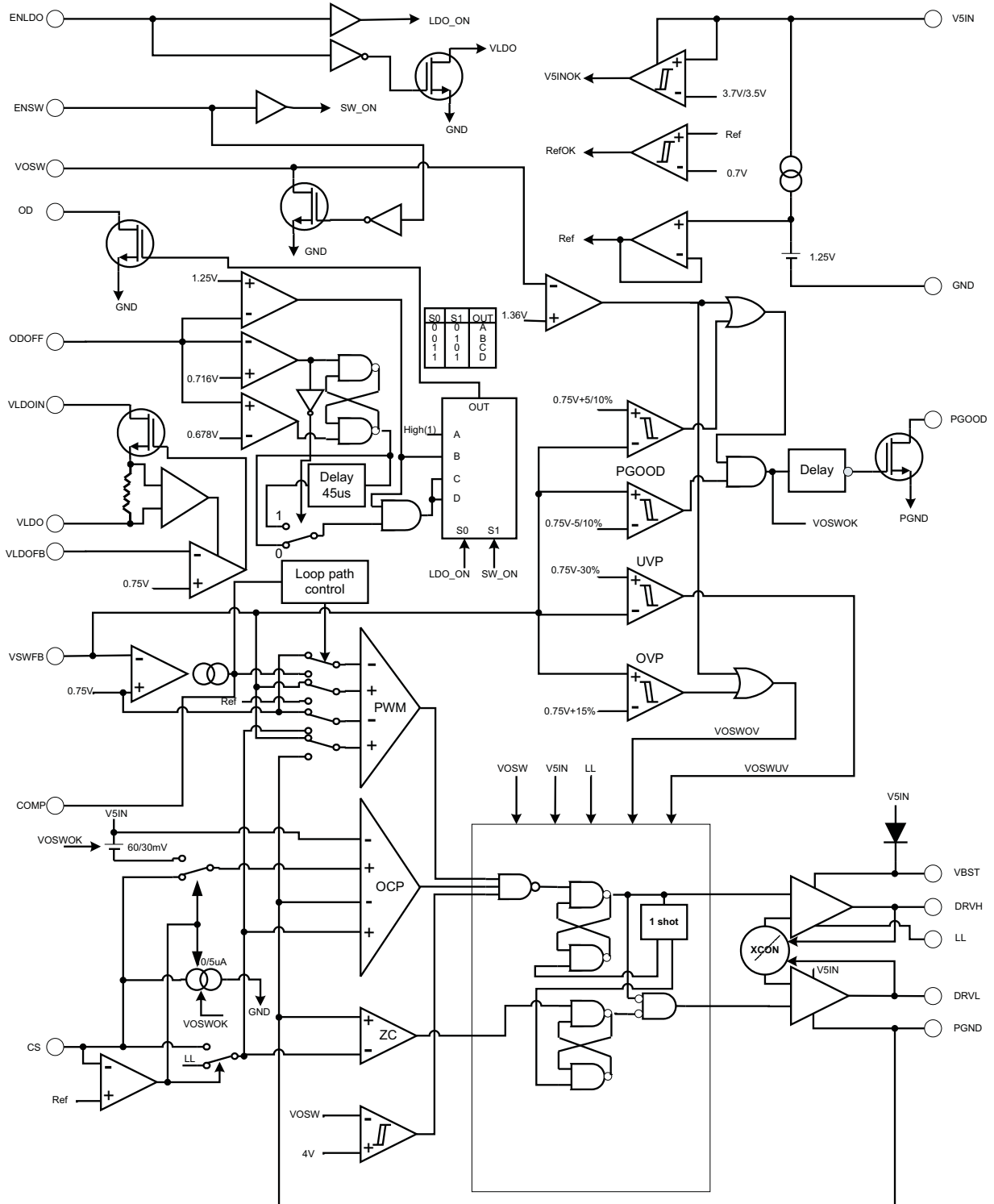


Figure 24.

FUNCTIONAL BLOCK DIAGRAM



DESCRIPTION

TPS51511 is an integrated power-management solution that combines a synchronous buck controller and a high-current, source-only, low-dropout linear regulator (LDO) in a small 20-pin QFN package. Each output provides voltages required by typical graphic-system applications. The switching-mode power supply portion employs external N-channel MOSFETs to provide high current for a GPU core. The output voltage is adjustable from 0.75 to 3.3 V with an external divider. The input voltage range of the switcher is 3 V to 28 V. The switcher uses adaptive on-time PWM under heavy load conditions, and automatically reduces the frequency under light loads to achieve excellent efficiency down to several mA. The output of the switcher is sensed by the VOSW pin to generate the on-time pulse, with the voltage of V_{IN} sensed by LL pin. The current sensing uses either the $R_{DS(ON)}$ of the external rectifying MOSFET for a low-cost, lossless solution, or a sense resistor placed in series to the rectifying MOSFET for applications needing a more accurate current limit.

The LDO can source up to 2 A DC current with only 20 μ F (two 10 μ F in parallel) ceramic output capacitors.

VOSW Switcher, Dual PWM Operation Modes

The main control loop of the switcher is designed as an adaptive on-time pulse width modulation (PWM) controller. It supports two control schemes; a current mode and a proprietary D-CAP mode. D-CAP mode does not require an external compensation circuit, and is suitable for low external component count configurations using output capacitor(s) with an appropriate ESR value. Current-mode control has more flexibility, using an external compensation network, and can be used to achieve stable operation with very low-ESR capacitors such as ceramic capacitors.

These control modes are selected by the COMP terminal connection. If the COMP pin is connected to V5IN, the TPS51511 is in D-CAP Mode. If the COMP pin is connected to the RC compensation network, the device operates in current mode.

At the beginning of each cycle, the synchronous top MOSFET is turned on (*ON* state). This MOSFET is turned off (*OFF* state) after the internal one-shot timer expires. The on-time issued by this one-shot is proportional to the ratio of V_{OUT} to V_{IN} . In this way, the switching frequency can be kept reasonably constant over the input-voltage range, hence it is called adaptive on-time control (see PWM frequency and Adaptive On-time Control). The MOSFET is turned on again when the feedback information indicates insufficient output voltage and the inductor current is below the overcurrent limit. By repeating operation in this manner, the controller regulates the output voltage. The synchronous bottom, or the *rectifying* MOSFET, is turned on during each *OFF* state to minimize conduction loss. The rectifying MOSFET is turned off when the inductor current indicates zero voltage level. This enables seamless transition to the reduced frequency operation under light load conditions so that the high efficiency is maintained over the broad range of load currents.

In the current-mode control scheme, the transconductance amplifier generates a target current level corresponding to the voltage difference between the feedback point and the internal 750-mV reference. During the *OFF* state, the PWM comparator monitors the inductor-current signal as well as the target current level, and when the inductor-current signal goes lower than the target current level, the comparator asserts the *SET* signal, switching the system to the *ON* state. The voltage-feedback gain is adjustable outside the controller IC to support various types of output MOSFETs and capacitors. In the D-CAP Mode, the transconductance amplifier is disabled and the PWM comparator directly compares the feedback-point voltage to the internal 750-mV reference during the *OFF* state. When the feedback point becomes lower than the reference voltage, the comparator asserts the *SET* signal, triggering the *ON* state.

VOSW Switcher, Light Load Condition

TPS51511 automatically reduces the switching frequency under light load conditions to maintain high efficiency. This frequency reduction is achieved smoothly and without increasing the V_{OUT} ripple or affecting the load regulation.

As the output current decreases from a heavy load condition, the inductor current is also reduced and eventually comes to the point that its ripple-valley value decreases down to zero current, which is the boundary between continuous conduction and discontinuous conduction modes. The rectifying MOSFET will be turned off when this zero inductor current is detected. As the load current decreases further, the converter runs in discontinuous-conduction mode, and takes longer to discharge the output capacitor to the level that will issue the next *ON* cycle. The *ON* time is kept the same as that in the heavy load condition. Conversely, when the output current increases from a light load to a heavy load, the switching frequency increases to the constant 350 kHz as the inductor current reaches continuous conduction. The transition point between light and heavy-load operation $I_{OUT(LL)}$ (i.e., the threshold between continuous and discontinuous conduction mode) can be calculated as follows;

$$I_{OUT(LL)} = \frac{1}{2 \times L \times f} \times \frac{(V_{IN} - V_{OUT}) \times V_{OUT}}{V_{IN}} \quad (1)$$

Where f is the PWM switching frequency, 350 kHz.

The switching frequency versus the output current in the light load condition is a function of L , f , V_{IN} and V_{OUT} , but it decreases almost proportionally to the output current from the $I_{OUT(LL)}$ given above. For example, it will be 35 kHz at $I_{OUT(LL)}/10$ and 3.5 kHz at $I_{OUT(LL)}/100$.

Low-Side Driver

The low-side driver is designed to drive high current low $R_{DS(ON)}$ N-channel MOSFETs. The drive capability is represented by its internal resistance, 3 Ω for V5IN to DRV_L, and 0.9 Ω for DRV_L to PGND. A dead time to prevent shoot-through is internally generated between the top MOSFET off to bottom MOSFET on, and bottom MOSFET off to top MOSFET on. The 5-V bias voltage is delivered from V5IN supply.

The instantaneous drive current is supplied by an input capacitor connected between V5IN and GND. Add a ceramic capacitor with a value between 1.0 μ F and 4.7 μ F placed close to the V5IN pin to stabilize the 5-V output from any parasitic impedance from the supply. The average drive current is equal to the gate charge at $V_{GS}=5$ V condition, times the switching frequency. This gate-drive current as well as the high-side gate-drive current times 5 V accounts for the power that must be dissipated from the TPS51511 package.

High-Side Driver

The high-side driver is designed to drive high-current, low $R_{DS(ON)}$ N-channel MOSFET(s). It is configured as a floating driver, with the 5-V bias voltage delivered from the V5IN supply. The average drive current is also calculated by the gate charge at $V_{GS}=5$ V condition, times switching frequency. The instantaneous drive current is supplied by the flying capacitor between VBST and LL pins. The drive capability is represented by its internal resistance, 3 Ω for VBST to DRV_H, and 0.9 Ω for DRV_H to LL.

Current Sensing Scheme

To support both high-accuracy and low-cost current sensing applications, TPS51511 supports two different current sensing schemes; external-resistor sensing, and rectifying-MOSFET $R_{DS(ON)}$ sensing.

In the resistor-sensing scheme, an appropriate current-sensing resistor is connected between the source terminal of the rectifying MOSFET and PGND, and the CS pin is connected to the rectifying MOSFET source terminal node. The inductor current is monitored by the voltage between PGND pin and CS pin.

In the $R_{DS(ON)}$ -sensing scheme, the CS pin is connected to the V5IN pin through the trip-voltage setting resistor R_{TRIP} . In this case, the CS terminal sinks the 10- μ A I_{TRIP} current, and the trip level is set to the voltage across R_{TRIP} . The inductor current is monitored by the voltage between the PGND pin and the LL pin, so the LL pin is connected to the drain terminal of the rectifying MOSFET. I_{TRIP} has a 4500-ppm/ $^{\circ}$ C temperature slope to compensate the temperature dependency of the $R_{DS(ON)}$.

In either scheme, PGND is used as the positive current-sensing node, so PGND must be connected to the proper current-sensing device, i.e., the sense resistor or the source terminal of the rectifying MOSFET.

PWM Frequency and Adaptive On-Time Control

TPS51511 employs an adaptive on-time control scheme, and does not have a dedicated oscillator on board. However, the device runs with a fixed 350kHz pseudo-constant frequency by feed-forwarding the input and output voltage into the on-time one-shot timer. The on-time is inversely proportional to the input voltage and proportional to the output voltage so that the duty-cycle ratio is kept the same as V_{OUT}/V_{IN} in the same cycle time. Although the TPS51511 does not have a pin connected to V_{IN} , the input voltage is monitored at the LL pin during the *ON* state. This reduces the pin count in order to make the part compact without sacrificing its performance. In order to secure minimum *ON* time during startup, the feed-forward feature from the output voltage is enabled after the output voltage becomes 750 mV or higher.

Soft-Start and Powergood (PGOOD)

The soft-start function of the switcher is achieved by ramping up the reference voltage and a two-stage current clamp. At the starting point, the reference voltage is set to 650 mV (87% of its target value), and the overcurrent threshold is set to half of the nominal value. When the UVP comparator detects an VOSW voltage greater than 80% of the target, the reference begins to ramp up and reaches 750 mV after 85 μ s. 45 μ s after the voltage becomes *good*, the power-good comparator releases the overcurrent threshold to the nominal value. TPS51511 turns off the power-good open-drain MOSFET when VOSW reaches the good state.

The soft-start function of the LDO is achieved by clamping the current during startup. The threshold of the current limit is set to 2.5 A (typical). TPS51511 has an independent window comparator for each output, but the PGOOD signal indicates only the status of VOSW. If a separate powergood signal is needed for the LDO, see [OD and ODOFF](#) for configuration details.

The soft-start durations, T_{VOSW} , T_{VLDO} are functions of output capacitances.

$$T_{VOSW} = \frac{2 \times C_{VOSW} \times V_{VOSW}}{I_{VOSWOCPL}} + 80 \mu\text{s} \quad (2)$$

Where, $I_{VOSWOCPL}$ is the current limit value for the VOSW switcher calculated by [Equation 5](#).

$$T_{VLDO} = \frac{C_{VLDO} \times V_{VLDO}}{I_{VLDOOCL}} \quad (3)$$

Where, $I_{VLDOOCL} = 2.5$ A (typical).

In both equations, no load current during startup is assumed. Note that both the switcher and the LDO do not start up to target voltage with full load conditions.

Enable and Discharge

Both the switcher and LDO can be enabled by bringing the voltage on the ENSW and ENLDO pins above 2.2 V, and disabled by pulling the voltage of ENSW and ENLDO down to 0.3 V. Both the switcher and LDO have output-discharge feature. The output is discharged through an internal MOSFET when the channel is disabled. Discharge continues until the output voltage is discharged below 0.3 V. In UVP or OVP conditions of the switching power supply, the device is latched off and the discharge is enabled until the output voltage drops below 0.3 V.

Current Protection for VOSW

The switcher has cycle-by-cycle current-limit control. The inductor current is monitored during the *OFF* state, and the controller keeps the *OFF* state while the inductor current is larger than the overcurrent trip level. The trip level and current-sense scheme are determined by the CS pin connection (see [Current Sensing Scheme](#)). In the resistor sensing scheme, the trip level, V_{TRIP} , is a fixed value of 60 mV. In the $R_{DS(ON)}$ sensing scheme, the CS terminal sinks 10 μ A and the trip level is set to the voltage across the R_{TRIP} resistor.

$$V_{TRIP}(mV) = R_{TRIP}(k\Omega) \times 10(\mu A) \quad (4)$$

Because the comparison is done during the *OFF* state, V_{TRIP} sets the valley level of the inductor current. Thus, the load current at the overcurrent threshold, I_{OCP} , can be calculated as follows;

$$I_{OCP} = \frac{V_{TRIP}}{R_{DS(ON)}} + \frac{I_{RIPPLE}}{2} = \frac{V_{TRIP}}{R_{DS(ON)}} + \frac{1}{2 \times L \times f} \times \frac{(V_{IN} - V_{OUT}) \times V_{OUT}}{V_{IN}} \quad (5)$$

In an overcurrent condition, the current to the load exceeds the current to the output capacitor, thus the output voltage tends to fall. If the output voltage becomes less than power-good level, the V_{TRIP} level is cut in half, and the output voltage tends to be even lower. Eventually, it will end up crossing the undervoltage-protection threshold and be shut down.

Over/Under Voltage Protection for VOSW

The TPS51511 monitors the feedback voltage to detect overvoltage and undervoltage conditions. When the feedback voltage becomes higher than 115% of the target voltage, the OVP comparator output goes high, and the circuit latches the top MOSFET driver OFF and the bottom MOSFET driver ON. The TPS51511 also monitors the VOSW voltage directly, and if it becomes greater than 4 V, TPS51511 turns off the top MOSFET driver. When the feedback voltage becomes lower than 70% of the target voltage, the UVP-comparator output goes high, and an internal UVP delay counter starts. After 32 switching cycles, the TPS51511 latches OFF both top and bottom MOSFETs. This function is enabled after 1007 cycles from switcher startup to ensure proper startup.

V5IN UVLO Protection

TPS51511 has V5IN under voltage lock out protection (UVLO). When the V5IN voltage is lower than the UVLO threshold voltage, the switcher and LDO are shut off. This is a non-latching protection.

LDO Operation

The TPS51511 integrated LDO is a source-only 2- A LDO. It has a typical current limit of 2.5 A . It can be separately enabled via the ENLDO pin, and the output voltage is set via the external voltage divider. Only a 20 μ F ceramic capacitor ($2 \times 10 \mu$ F) is needed for this LDO. The transient response is very fast due to the wide bandwidth design of the LDO feedback loop.

The LDO has an internally fixed constant overcurrent limit of 2.5 A. This is a trailing current limit with no shutdown function.

Thermal Shutdown

The TPS51511 monitors its internal temperature. If the temperature exceeds the threshold value (typically 160°C), the switcher and LDO are shut off. This is a non-latching protection, and operation is resumed when the device is cooled down by approximately 10°C.

Dynamic Voltage Step, OD and ODOFF

OD and ODOFF are multifunction pins. By connecting the OD pin through a resistor to VSWFB, ODOFF is connected to an external control logic signal which can control OD to switch in and out this resistor in parallel with the bottom resistor of the voltage divider. This can dynamically change the switcher output voltage during operation. If the application requires a power-good signal for the LDO rather than switcher dynamic voltage control, OD and ODOFF can be configured to support the LDO power-good feature by connecting ODOFF to VLDOFB. In this mode, connect OD through a pullup resistor to the bias voltage (i.e. 5 V, 3.3 V) to act as the LDO power-good output. The functions of ODOFF and OD pin combinations related to the ENLDO and ENSW pin voltage levels are shown in [Table 1](#).

Table 1. OD and ODOFF Functions

ENLDO	ENSW	ODOFF ⁽¹⁾	OD ⁽²⁾	Applications ⁽³⁾
Hi	X	> 1.25 V	Off	D
		0.716 V < ODOFF < 1.25 V and lasts longer than 45 μs	Off	D&G
		0.716 V < ODOFF < 1.25 V and lasts less than 45 μs	Keep State	G
		0.678 V < ODOFF < 0.716 V	Keep State	G
		< 0.678 V	On	D&G
Lo	Hi	> 1.25 V	Off	D
		< 1.25 V	On	D&G
Lo	Lo	X	On	G

- (1) All voltages are typical values.
- (2) "Keep state" means no state change with previous state, "On" means open drain MOSFET is turned on and OD is connected to ground through this MOSFET. "Off" means open drain MOSFET off.
- (3) "D" stands for dynamic voltage change "G" stands for LDO PGOOD .

Advanced PGOOD Mask

The advanced PGOOD mask feature allows the switcher to dynamically change the output voltage while maintaining the PGOOD and OVP functions during the transition.

During the dynamic voltage change, if the output voltage is lower than 1.36 V (typ) the high-end PGOOD comparator and OVP comparator is masked. If the output voltage is set equal to or higher than 1.36 V (typ), the blanking circuit is disabled, and the high-end PGOOD threshold is set to 110%, and the OVP threshold is set to 115% of the output-voltage setting . When dynamic voltage change is implemented, a 1-nF ceramic capacitor must be added in parallel with the top resistor of the voltage divider as shown in [Figure 27](#).

APPLICATION INFORMATION

LOOP COMPENSATION AND EXTERNAL PARTS SELECTION

Current Mode Operation

A buck converter using TPS51511 current mode operation can be partitioned into three portions, a voltage divider, an error amplifier and a switching modulator. By linearizing the switching modulator, we can derive the transfer function of the whole system. Since the current-mode scheme directly controls the inductor current, the modulator can be linearized as shown in [Figure 25](#).

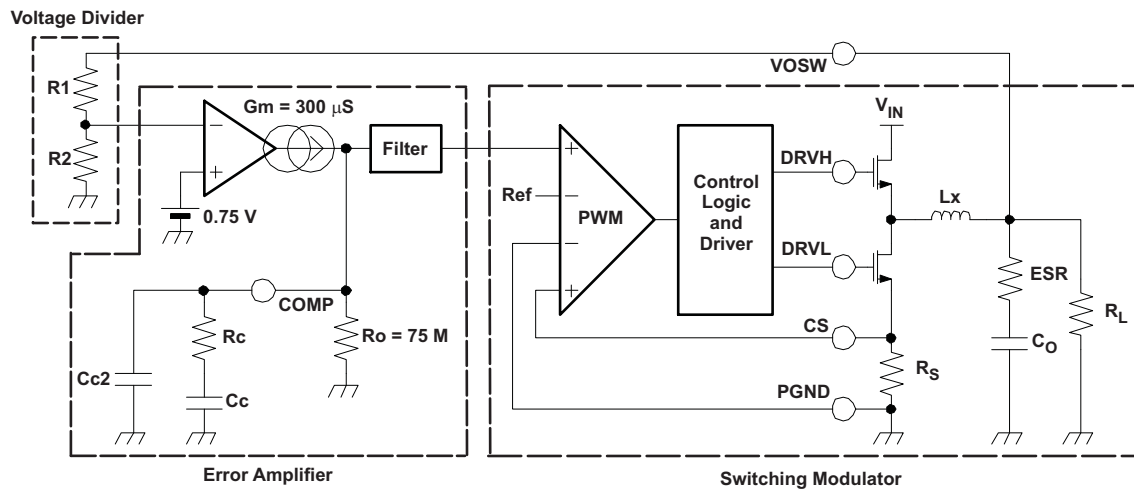


Figure 25. Simplified Current-Mode Functional Blocks

In this representation, the inductor is located inside the local feedback loop, and its inductance does not appear in the small-signal model. As a result, a modulated current source including the power inductor can be modeled

APPLICATION INFORMATION (continued)

as a current source with its transconductance of $1/R_s$, and the output capacitor represents the modulator portion. This simplified model is applicable in the frequency space up to approximately half the switching frequency. Although the inductance has no influence in the small-signal model, it influences the large-signal model by limiting the slew rate of the current source. This means that the buck converter's load-transient response, one of the large signal behaviors, can be improved by using a smaller inductance without affecting loop stability.

The total open-loop transfer function of the whole system is given by

$$H(s) = H_1(s) \times H_2(s) \times H_3(s) \quad (6)$$

Assuming $RL \gg ESR$, $R_o \gg R_c$ and $C_c \gg C_{c2}$, the transfer function of each block is

$$H_1(s) = \frac{R_2}{(R_2 + R_1)} \quad (7)$$

$$H_2(s) = -G_m \times \frac{R_o(1 + s \times C_c \times R_c)}{(1 + s \times C_c \times R_o)(1 + s \times C_{c2} \times R_c)} \quad (8)$$

$$H_3(s) = \frac{1 + s \times C_o \times ESR}{1 + s \times C_o \times RL} \times \frac{RL}{R_s} \quad (9)$$

There are three poles and two zeros in $H(s)$. Each pole and zero is given by

$$\begin{aligned} \omega_{p1} &= 1/(C_c \times R_o) & \omega_{p2} &= 1/(C_o \times RL) & \omega_{p3} &= 1/(C_{c2} \times R_c) \\ \omega_{z1} &= 1/(C_c \times R_c) & \omega_{z2} &= 1/(C_o \times ESR) & & \end{aligned}$$

Usually, each frequency of the poles and zeros is lower than the 0dB frequency, f_0 . However, the f_0 should be kept under 1/3 of the switching frequency to avoid the effect of switching-circuit delay. The f_0 is given by [Equation 10](#).

$$f_0 = \frac{1}{2\pi} \times \frac{R_1}{R_1 + R_2} \times \frac{G_m}{C_o} \times \frac{R_c}{R_s} = \frac{1}{2\pi} \times \frac{0.75}{V_{out}} \times \frac{G_m}{C_o} \times \frac{R_c}{R_s} \quad (10)$$

Based on the small-signal analysis above, the external components can be selected by the following steps:

1. Choose the inductor.

The inductance value should be determined to give a ripple current of approximately 1/4 to 1/3 of the maximum output current.

$$L = \frac{1}{I_{IND(ripple)} \times f} \times \frac{(V_{IN(max)} - V_{OUT}) \times V_{OUT}}{V_{IN(max)}} = \frac{3}{I_{OUT(max)} \times f} \times \frac{(V_{IN(max)} - V_{OUT}) \times V_{OUT}}{V_{IN(max)}} \quad (11)$$

The inductor also needs low DCR to achieve good efficiency, as well as enough room above peak inductor current before saturation. The peak inductor current can be estimated as follows.

$$I_{IND(peak)} = \frac{V_{trip}}{R_{DS(ON)}} + \frac{1}{L \times f} \times \frac{(V_{IN(max)} - V_{OUT}) \times V_{OUT}}{V_{IN(max)}} \quad (12)$$

2. Choose the rectifying (bottom) MOSFET.

When the $R_{DS(ON)}$ sensing scheme is selected, the rectifying MOSFET's on-resistance is used as this R_s so that lower $R_{DS(ON)}$ does not always promise better performance. In order to clearly detect inductor current, minimum R_s recommended is to give 15 mV or larger ripple voltage with the inductor ripple current. This will provide smooth transitions from CCM to DCM or vice versa. The upper side of the $R_{DS(ON)}$ is of course restricted by the efficiency requirement, and usually this resistance affects efficiency more at high load conditions.

When using external-resistor current sensing, there is no restriction for low $R_{DS(ON)}$. However, the current sensing resistance R_s itself affects the efficiency.

3. Choose the output capacitor(s).

When using organic semiconductor capacitors (OS-CON) or specialty polymer capacitors (SP-CAP), the ESR

APPLICATION INFORMATION (continued)

to achieve required ripple value at stable state or transient load conditions will determine the number and size of capacitor(s) needed, and the resulting capacitance will then be enough to satisfy stable operation. The peak-to-peak ripple value can be estimated by ESR times the inductor ripple current for stable state, or ESR times the load-current step for a fast transient-load response.

Ceramic capacitors typically have ESR values small enough to meet the ripple requirement. On the other hand, transient undershoot and overshoot driven by output capacitance will become the key factor to determine the capacitance.

4. Determine f_0 and calculate R_c using Equation 13.

$$R_c \leq 2\pi \times f_0 \times \frac{V_{out}}{0.75} \times \frac{C_o}{G_m} \times R_s \tag{13}$$

Note that higher R_c shows faster transient response at the cost of instability. If the transient response is not enough even with a high R_c value, try increasing the output capacitance. Recommended f_0 is $f_{osc}/4$. Then R_c can be derived by the next simplified equation.

$$R_c = 2.4 \times V_{out} \times C_o[\mu F] \times R_s[m\Omega] \tag{14}$$

5. Calculate C_{c2} . The purpose of this capacitance is to cancel the zero caused by the output capacitor ESR. If ceramic capacitors are used, there is no need for C_{c2} .

$$\omega_{z2} = \frac{1}{(C_o \times ESR)} = \omega_{p3} = \frac{1}{(C_{c2} \times R_c)} \tag{15}$$

$$C_{c2} = C_o \times \frac{ESR}{R_c} \tag{16}$$

6. Calculate C_c . The purpose of C_c is to cut the DC component to obtain a high DC-feedback gain. However, because this causes phase delay, another zero to cancel this effect at f_0 frequency is needed. This zero, ω_{z1} , is determined by C_c and R_c . Recommended ω_{z1} is 10 times lower than the f_0 frequency.

$$f_{z1} = \frac{1}{2\pi \times C_c \times R_c} = \frac{f_0}{10} \tag{17}$$

$$C_c = \frac{10}{2\pi \times R_c \times f_0} \cong \frac{18}{R_c[k\Omega]} [nF] \tag{18}$$

7. Determine the value of R_1 and R_2 . Recommended R_2 value is from 10 k Ω to 100 k Ω . Determine R_1 using Equation 19.

$$R_1 = \frac{V_{out} - 0.75}{0.75} \times R_2 \tag{19}$$

D-CAP™ Mode Operation

A buck converter system using D-CAP mode can be simplified as shown in Figure 26.

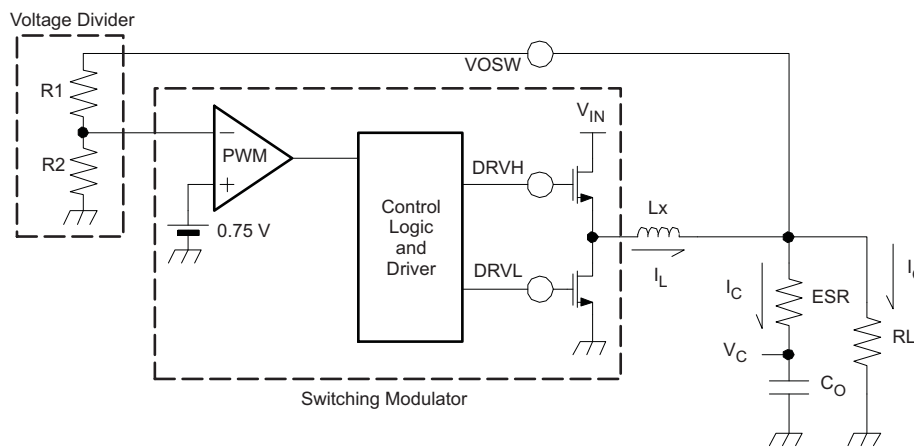


Figure 26. Simplified D-CAP Mode Buck Converter Functional Blocks

APPLICATION INFORMATION (continued)

The VOSW voltage is compared with the internal reference voltage from the divider resistors. The PWM comparator determines the timing to turn on the top MOSFET. The gain and speed of the comparator is high enough to keep the voltage at the beginning of each on cycle (or the end of off cycle) substantially constant. The DC output voltage may have line regulation due to ripple amplitude that slightly increases as the input voltage increases.

To ensure loop stability, the 0dB frequency, f_0 , defined below, should be lower than 1/3 of the switching frequency.

$$f_0 = \frac{1}{2\pi \times \text{ESR} \times C_o} \leq \frac{f_{\text{sw}}}{3} \quad (20)$$

Because f_0 is determined solely by the output capacitor's characteristics, the loop stability of D-CAP Mode is determined by the capacitor's chemistry. For example, specialty polymer capacitors (SP-CAP) have C_o in the order of several-hundred μF and ESR values in the range of 10 m Ω . These will make f_0 approximately 100 kHz or less, and the loop will be stable. However, ceramic capacitors have f_0 at more than 700 kHz, which is not suitable for this mode.

D-CAP mode provides many advantages such as ease-of-use, minimum external component count and extremely short response time. However, because it does not employ an error amplifier in the loop, a sufficient amount of feedback signal must be provided by the external circuit to reduce jitter level. A good layout which follows the layout considerations in this data sheet also can reduce the jitter level.

Components selection is much simpler in D-CAP mode.

1. Choose inductor.

This section is the same as the current mode. Refer to the instructions in the [Current Mode Section](#).

2. Choose output capacitor(s).

Organic semiconductor capacitor(s) or specialty polymer capacitor(s) are recommended.

Thermal Design

The primary power dissipation of TPS51511 is generated from the LDO. The potential difference between VLDOIN and VLDO times LDO current gives the power dissipation, W_{DSRC} ,

$$W_{\text{DSRC}} = (V_{\text{VLDOIN}} - V_{\text{VLDO}}) \times I_{\text{VLDO}} \quad (21)$$

Another power consideration is the current used for internal control circuitry from the V5IN supply. V5IN supports both the internal circuitry and the external MOSFET drive current.

These powers need to be effectively dissipated from the package. Maximum power dissipation allowed to the package is calculated by,

$$V_{\text{PKG}} = \frac{T_{\text{J(max)}} - T_{\text{A(max)}}}{\theta_{\text{JA}}} \quad (22)$$

Where:

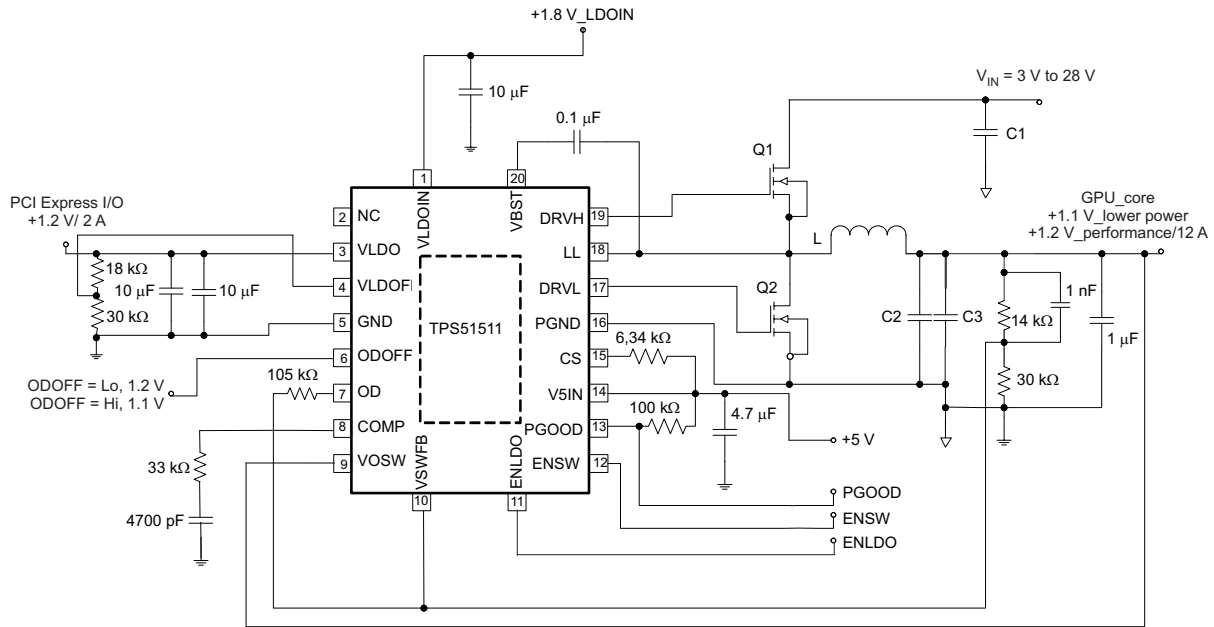
$T_{\text{J(max)}}$ is 125°C

$T_{\text{A(max)}}$ is the maximum ambient temperature in the system

θ_{JA} is the thermal resistance from the silicon junction to the ambient

This thermal resistance strongly depends on the board layout. TPS51511 is assembled in a thermally enhanced PowerPAD package that has an exposed die pad underneath the body. For maximum thermal performance, this die pad must be attached to a ground trace via a thermal land on the PCB. This ground trace acts as a heat sink. The typical thermal resistance, 53.3°C/W, is achieved based on a 3,05 mm \times 2,05 mm thermal land with 6 vias without air flow. It can be improved by using a larger thermal land and/or increasing the number of vias. Further information about PowerPAD™ and its recommended board layout is described in a Texas Instruments document, [SLMA002](#). This document is available at www.TI.com.

APPLICATION INFORMATION (continued)



Symbol	Specification	Manufacturer	Part Number
L	1 µH	Vishay	IHLP5050
C1	3X10 µF	TDK	C3225X5R1E106M
C2	47 µF	TDK	C3225X5R0J476K
C3	47 µF	TDK	C3225X5R0J476K
Q1	30 V, 13 mΩ	IR	IRF7821
Q2	30 V, 5 mΩ	IR	IRF7832

Figure 28. Current Mode, $R_{DS(ON)}$ Sensing, 1-Bit DAC for the Output Voltage Dynamic Change

PACKAGING INFORMATION

Orderable Device	Status (1)	Package Type	Package Drawing	Pins	Package Qty	Eco Plan (2)	Lead/Ball Finish	MSL Peak Temp (3)	Op Temp (°C)	Device Marking (4/5)	Samples
TPS51511RHLR	ACTIVE	VQFN	RHL	20	3000	Green (RoHS & no Sb/Br)	CU NIPDAU	Level-2-260C-1 YEAR	-40 to 85	51511	Samples
TPS51511RHRLRG4	ACTIVE	VQFN	RHL	20	3000	Green (RoHS & no Sb/Br)	CU NIPDAU	Level-2-260C-1 YEAR	-40 to 85	51511	Samples
TPS51511RHLT	ACTIVE	VQFN	RHL	20	250	Green (RoHS & no Sb/Br)	CU NIPDAU	Level-2-260C-1 YEAR	-40 to 85	51511	Samples
TPS51511RHLTG4	ACTIVE	VQFN	RHL	20	250	Green (RoHS & no Sb/Br)	CU NIPDAU	Level-2-260C-1 YEAR	-40 to 85	51511	Samples

(1) The marketing status values are defined as follows:

ACTIVE: Product device recommended for new designs.

LIFEBUY: TI has announced that the device will be discontinued, and a lifetime-buy period is in effect.

NRND: Not recommended for new designs. Device is in production to support existing customers, but TI does not recommend using this part in a new design.

PREVIEW: Device has been announced but is not in production. Samples may or may not be available.

OBSOLETE: TI has discontinued the production of the device.

(2) Eco Plan - The planned eco-friendly classification: Pb-Free (RoHS), Pb-Free (RoHS Exempt), or Green (RoHS & no Sb/Br) - please check <http://www.ti.com/productcontent> for the latest availability information and additional product content details.

TBD: The Pb-Free/Green conversion plan has not been defined.

Pb-Free (RoHS): TI's terms "Lead-Free" or "Pb-Free" mean semiconductor products that are compatible with the current RoHS requirements for all 6 substances, including the requirement that lead not exceed 0.1% by weight in homogeneous materials. Where designed to be soldered at high temperatures, TI Pb-Free products are suitable for use in specified lead-free processes.

Pb-Free (RoHS Exempt): This component has a RoHS exemption for either 1) lead-based flip-chip solder bumps used between the die and package, or 2) lead-based die adhesive used between the die and leadframe. The component is otherwise considered Pb-Free (RoHS compatible) as defined above.

Green (RoHS & no Sb/Br): TI defines "Green" to mean Pb-Free (RoHS compatible), and free of Bromine (Br) and Antimony (Sb) based flame retardants (Br or Sb do not exceed 0.1% by weight in homogeneous material)

(3) MSL, Peak Temp. -- The Moisture Sensitivity Level rating according to the JEDEC industry standard classifications, and peak solder temperature.

(4) There may be additional marking, which relates to the logo, the lot trace code information, or the environmental category on the device.

(5) Multiple Device Markings will be inside parentheses. Only one Device Marking contained in parentheses and separated by a "~" will appear on a device. If a line is indented then it is a continuation of the previous line and the two combined represent the entire Device Marking for that device.

Important Information and Disclaimer: The information provided on this page represents TI's knowledge and belief as of the date that it is provided. TI bases its knowledge and belief on information provided by third parties, and makes no representation or warranty as to the accuracy of such information. Efforts are underway to better integrate information from third parties. TI has taken and

continues to take reasonable steps to provide representative and accurate information but may not have conducted destructive testing or chemical analysis on incoming materials and chemicals. TI and TI suppliers consider certain information to be proprietary, and thus CAS numbers and other limited information may not be available for release.

In no event shall TI's liability arising out of such information exceed the total purchase price of the TI part(s) at issue in this document sold by TI to Customer on an annual basis.

TAPE AND REEL INFORMATION



QUADRANT ASSIGNMENTS FOR PIN 1 ORIENTATION IN TAPE



*All dimensions are nominal

Device	Package Type	Package Drawing	Pins	SPQ	Reel Diameter (mm)	Reel Width W1 (mm)	A0 (mm)	B0 (mm)	K0 (mm)	P1 (mm)	W (mm)	Pin1 Quadrant
TPS51511RHLR	VQFN	RHL	20	3000	330.0	12.4	3.8	4.8	1.6	8.0	12.0	Q1
TPS51511RHLL	VQFN	RHL	20	250	180.0	12.4	3.8	4.8	1.6	8.0	12.0	Q1

TAPE AND REEL BOX DIMENSIONS

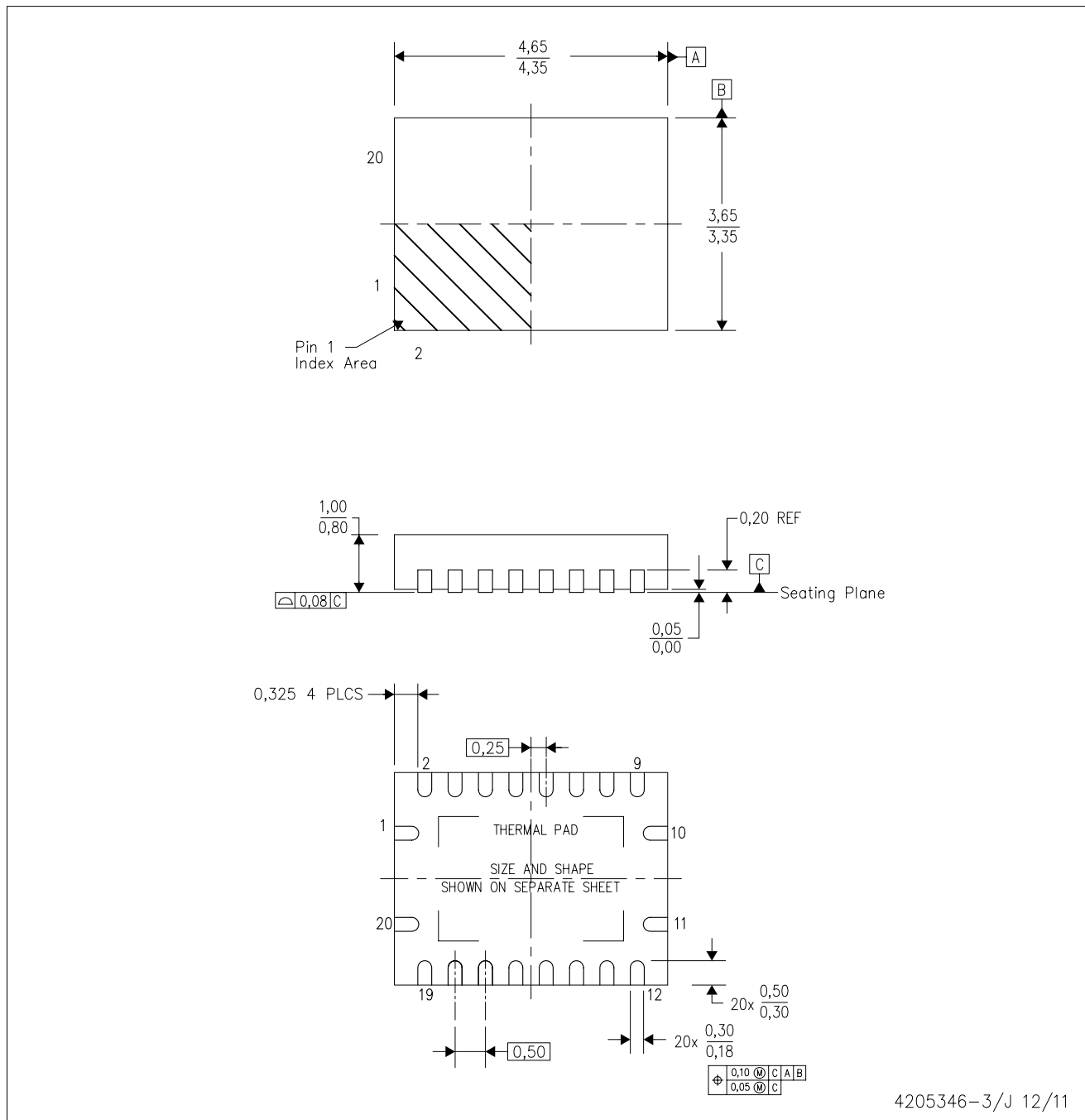

*All dimensions are nominal

Device	Package Type	Package Drawing	Pins	SPQ	Length (mm)	Width (mm)	Height (mm)
TPS51511RHRLR	VQFN	RHL	20	3000	367.0	367.0	35.0
TPS51511RHRLT	VQFN	RHL	20	250	210.0	185.0	35.0

MECHANICAL DATA

RHL (R-PVQFN-N20)

PLASTIC QUAD FLATPACK NO-LEAD



- NOTES:
- All linear dimensions are in millimeters. Dimensioning and tolerancing per ASME Y14.5M-1994.
 - This drawing is subject to change without notice.
 - QFN (Quad Flatpack No-Lead) Package configuration.
 - The package thermal pad must be soldered to the board for thermal and mechanical performance.
 - See the additional figure in the Product Data Sheet for details regarding the exposed thermal pad features and dimensions.

THERMAL PAD MECHANICAL DATA

RHL (S-PVQFN-N20)

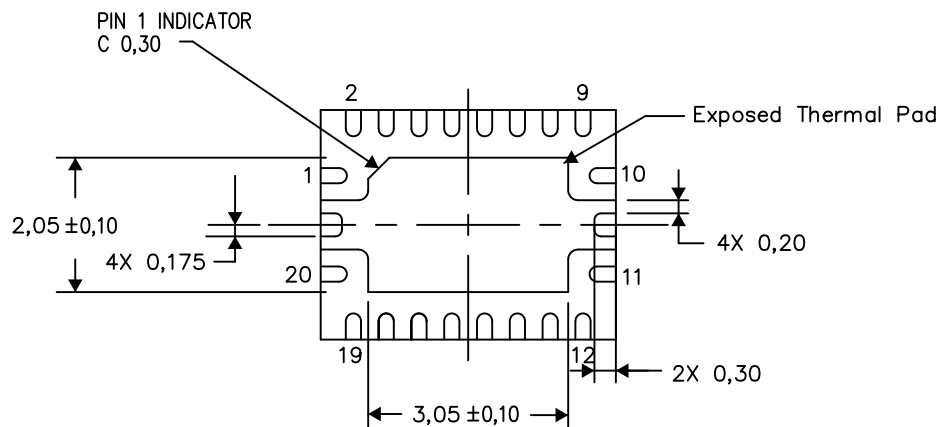
PLASTIC QUAD FLATPACK NO-LEAD

THERMAL INFORMATION

This package incorporates an exposed thermal pad that is designed to be attached directly to an external heatsink. The thermal pad must be soldered directly to the printed circuit board (PCB). After soldering, the PCB can be used as a heatsink. In addition, through the use of thermal vias, the thermal pad can be attached directly to the appropriate copper plane shown in the electrical schematic for the device, or alternatively, can be attached to a special heatsink structure designed into the PCB. This design optimizes the heat transfer from the integrated circuit (IC).

For information on the Quad Flatpack No-Lead (QFN) package and its advantages, refer to Application Report, QFN/SON PCB Attachment, Texas Instruments Literature No. SLUA271. This document is available at www.ti.com.

The exposed thermal pad dimensions for this package are shown in the following illustration.



Bottom View

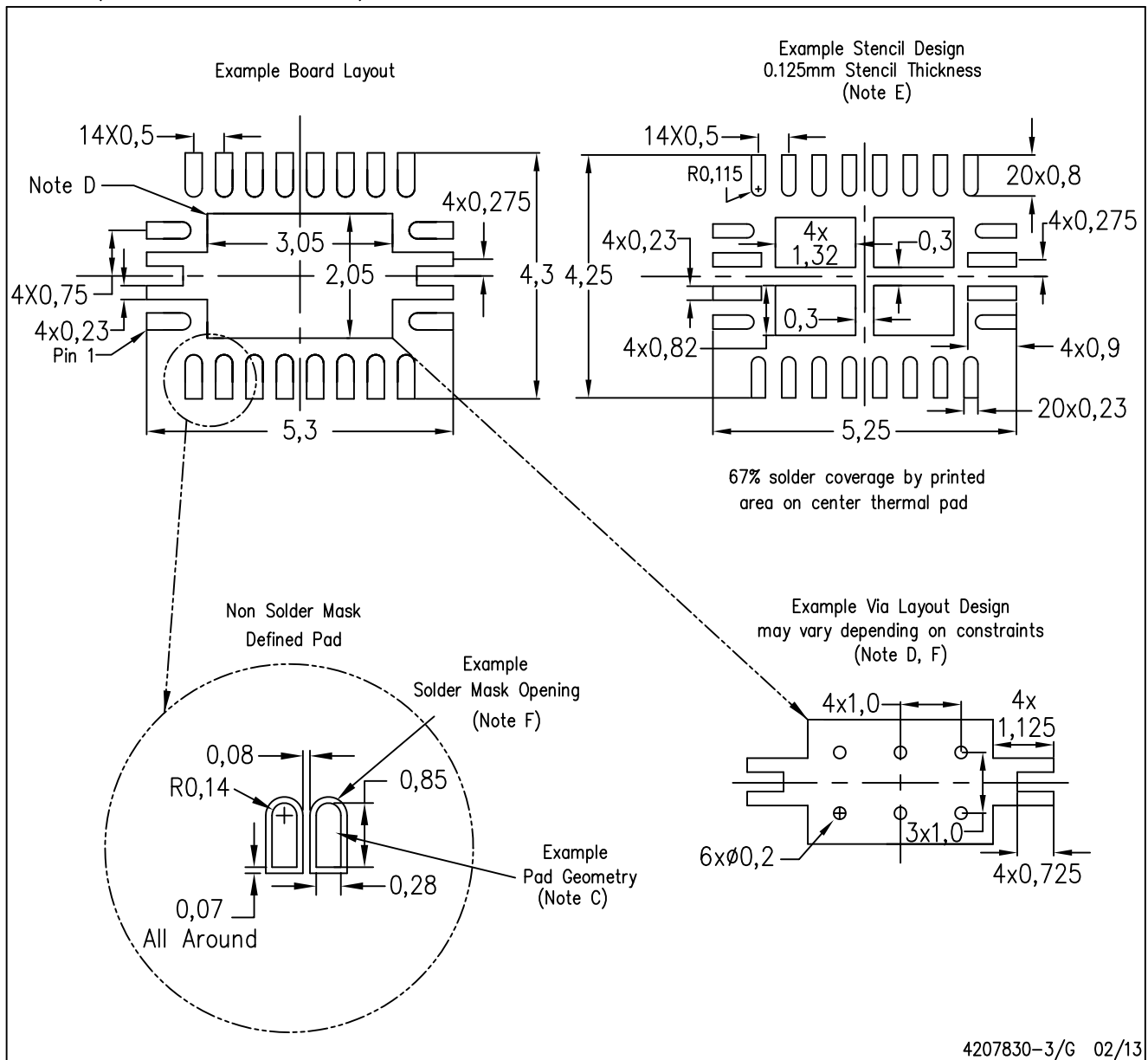
Exposed Thermal Pad Dimensions

4206363-3/M 08/12

NOTE: All linear dimensions are in millimeters

RHL (R-PVQFN-N20)

PLASTIC QUAD FLATPACK NO-LEAD



- NOTES:
- A. All linear dimensions are in millimeters.
 - B. This drawing is subject to change without notice.
 - C. Publication IPC-7351 is recommended for alternate designs.
 - D. This package is designed to be soldered to a thermal pad on the board. Refer to Application Note, Quad Flat-Pack Packages, Texas Instruments Literature No. SLUA271, and also the Product Data Sheets for specific thermal information, via requirements, and recommended board layout. These documents are available at www.ti.com <<http://www.ti.com>>.
 - E. Laser cutting apertures with trapezoidal walls and also rounding corners will offer better paste release. Customers should contact their board assembly site for stencil design recommendations. Refer to IPC 7525 for stencil design considerations.
 - F. Customers should contact their board fabrication site for minimum solder mask web tolerances between signal pads.

IMPORTANT NOTICE

Texas Instruments Incorporated and its subsidiaries (TI) reserve the right to make corrections, enhancements, improvements and other changes to its semiconductor products and services per JESD46, latest issue, and to discontinue any product or service per JESD48, latest issue. Buyers should obtain the latest relevant information before placing orders and should verify that such information is current and complete. All semiconductor products (also referred to herein as "components") are sold subject to TI's terms and conditions of sale supplied at the time of order acknowledgment.

TI warrants performance of its components to the specifications applicable at the time of sale, in accordance with the warranty in TI's terms and conditions of sale of semiconductor products. Testing and other quality control techniques are used to the extent TI deems necessary to support this warranty. Except where mandated by applicable law, testing of all parameters of each component is not necessarily performed.

TI assumes no liability for applications assistance or the design of Buyers' products. Buyers are responsible for their products and applications using TI components. To minimize the risks associated with Buyers' products and applications, Buyers should provide adequate design and operating safeguards.

TI does not warrant or represent that any license, either express or implied, is granted under any patent right, copyright, mask work right, or other intellectual property right relating to any combination, machine, or process in which TI components or services are used. Information published by TI regarding third-party products or services does not constitute a license to use such products or services or a warranty or endorsement thereof. Use of such information may require a license from a third party under the patents or other intellectual property of the third party, or a license from TI under the patents or other intellectual property of TI.

Reproduction of significant portions of TI information in TI data books or data sheets is permissible only if reproduction is without alteration and is accompanied by all associated warranties, conditions, limitations, and notices. TI is not responsible or liable for such altered documentation. Information of third parties may be subject to additional restrictions.

Resale of TI components or services with statements different from or beyond the parameters stated by TI for that component or service voids all express and any implied warranties for the associated TI component or service and is an unfair and deceptive business practice. TI is not responsible or liable for any such statements.

Buyer acknowledges and agrees that it is solely responsible for compliance with all legal, regulatory and safety-related requirements concerning its products, and any use of TI components in its applications, notwithstanding any applications-related information or support that may be provided by TI. Buyer represents and agrees that it has all the necessary expertise to create and implement safeguards which anticipate dangerous consequences of failures, monitor failures and their consequences, lessen the likelihood of failures that might cause harm and take appropriate remedial actions. Buyer will fully indemnify TI and its representatives against any damages arising out of the use of any TI components in safety-critical applications.

In some cases, TI components may be promoted specifically to facilitate safety-related applications. With such components, TI's goal is to help enable customers to design and create their own end-product solutions that meet applicable functional safety standards and requirements. Nonetheless, such components are subject to these terms.

No TI components are authorized for use in FDA Class III (or similar life-critical medical equipment) unless authorized officers of the parties have executed a special agreement specifically governing such use.

Only those TI components which TI has specifically designated as military grade or "enhanced plastic" are designed and intended for use in military/aerospace applications or environments. Buyer acknowledges and agrees that any military or aerospace use of TI components which have **not** been so designated is solely at the Buyer's risk, and that Buyer is solely responsible for compliance with all legal and regulatory requirements in connection with such use.

TI has specifically designated certain components as meeting ISO/TS16949 requirements, mainly for automotive use. In any case of use of non-designated products, TI will not be responsible for any failure to meet ISO/TS16949.

Products

Audio	www.ti.com/audio
Amplifiers	amplifier.ti.com
Data Converters	dataconverter.ti.com
DLP® Products	www.dlp.com
DSP	dsp.ti.com
Clocks and Timers	www.ti.com/clocks
Interface	interface.ti.com
Logic	logic.ti.com
Power Mgmt	power.ti.com
Microcontrollers	microcontroller.ti.com
RFID	www.ti-rfid.com
OMAP Applications Processors	www.ti.com/omap
Wireless Connectivity	www.ti.com/wirelessconnectivity

Applications

Automotive and Transportation	www.ti.com/automotive
Communications and Telecom	www.ti.com/communications
Computers and Peripherals	www.ti.com/computers
Consumer Electronics	www.ti.com/consumer-apps
Energy and Lighting	www.ti.com/energy
Industrial	www.ti.com/industrial
Medical	www.ti.com/medical
Security	www.ti.com/security
Space, Avionics and Defense	www.ti.com/space-avionics-defense
Video and Imaging	www.ti.com/video

TI E2E Community

e2e.ti.com