



## GaAs MMIC SP4T NON-REFLECTIVE SWITCH, DC - 8 GHz

### Typical Applications

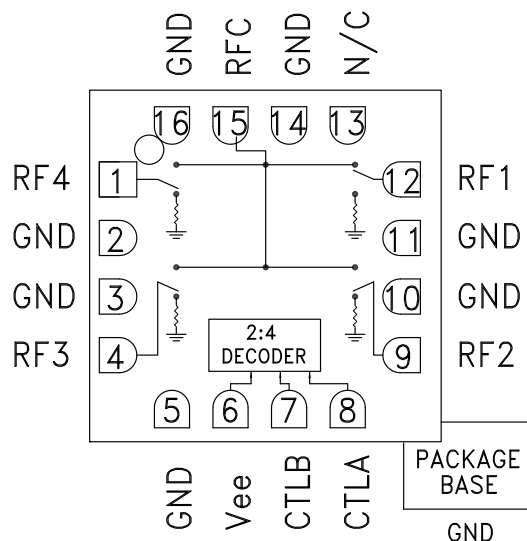
The HMC344LC3 is ideal for:

- Broadband, Military, Radar & ECM
- Fiber Optics
- Switched Filter Banks
- Wireless below 8 GHz
- Test Instrumentation

### Features

- Broadband Performance: DC - 8 GHz
- Integrated 2:4 TTL Decoder
- High Isolation: 40 dB@ 6 GHz
- Low Insertion Loss: 2 dB@ 6 GHz
- Non-Reflective Topology

### Functional Diagram



### General Description

The HMC344LC3 is a broadband non-reflective GaAs MESFET SP4T switch in a ceramic 3x3 mm leadless surface mount package. Covering DC to 8 GHz, this switch offers high isolation and low insertion loss. The HMC344LC3 includes an integrated binary decoder circuit which reduces the required logic control lines to two. The switch operates using a negative control voltage of 0/-5V, and requires a fixed bias of -5V. Simple external level shifting circuitry allows this switch to be controlled with most TTL/CMOS positive logic families.

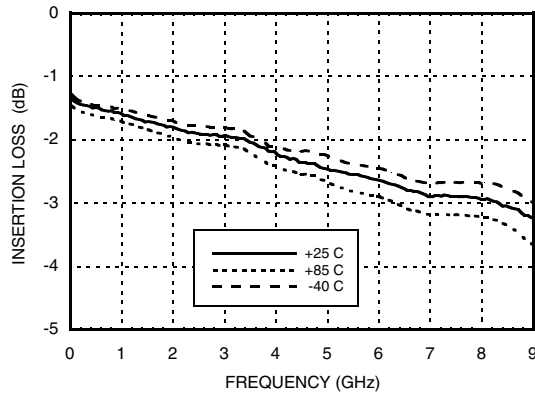
### Electrical Specifications, $T_A = +25^\circ C$ , With 0/-5V Control, 50 Ohm System

Parameter	Frequency	Min.	Typ.	Max.	Units
Insertion Loss	DC - 2.0 GHz		1.6	2.0	dB
	DC - 6.0 GHz		2.0	2.8	dB
	DC - 8.0 GHz		2.5	3.0	dB
Isolation	DC - 2.0 GHz	43	50		dB
	DC - 4.0 GHz	35	45		dB
	DC - 6.0 GHz	32	45		dB
	DC - 8.0 GHz	30	40		dB
Return Loss	"On State"	DC - 2.0 GHz	15	17	dB
		DC - 4.0 GHz	12	16	dB
		DC - 6.0 GHz	12	16	dB
		DC - 8.0 GHz	12	17	dB
Return Loss	"Off State"	DC - 8.0 GHz	12	15	dB
Input Power for 0.1 dB Compression	0.5 - 8.0 GHz	22	26		dBm
Input Third Order Intercept (Two-Tone Input Power = +7 dBm Each Tone)	0.5 - 8.0 GHz		43		dBm
Switching Characteristics	DC - 8.0 GHz	tRISE, tFALL (10/90% RF)	20		ns
		tON, tOFF (50% CTL to 10/90% RF)	70		ns

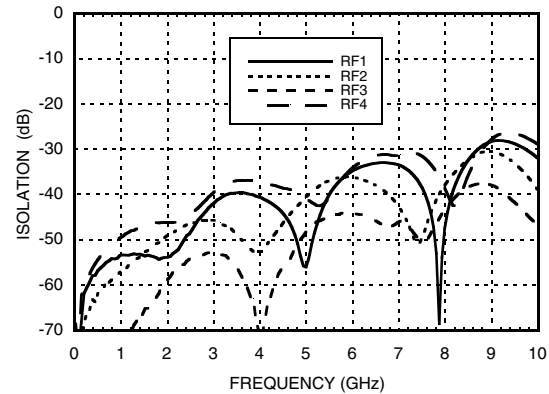


**GaAs MMIC SP4T NON-REFLECTIVE  
SWITCH, DC - 8 GHz**

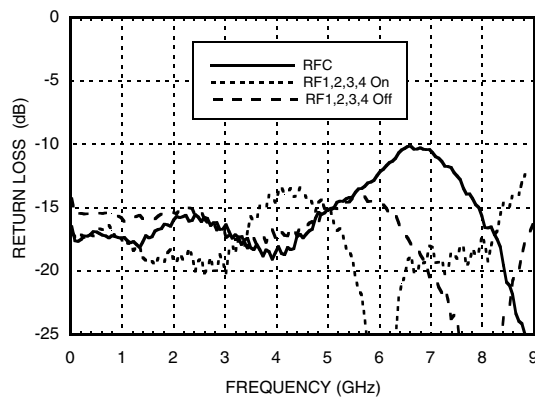
**Insertion Loss vs. Temperature**



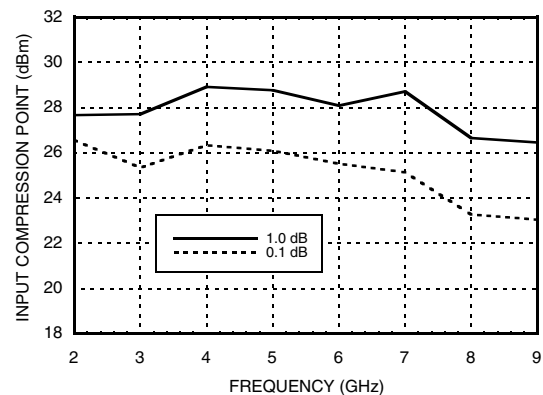
**Isolation**



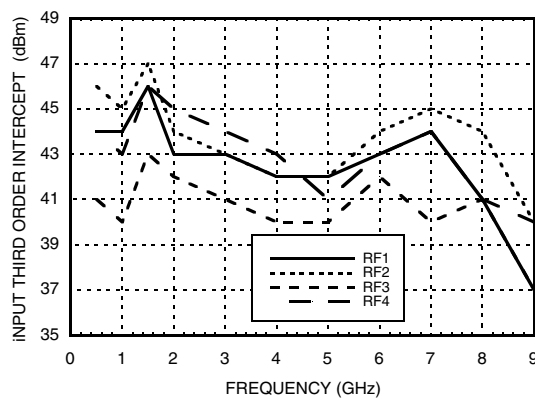
**Return Loss**



**0.1 and 1 dB Input Compression Point**



**Input Third Order Intercept Point**



**Bias Voltage & Current**

Vee Range = -5.0 Vdc ± 10%		
Vee (Vdc)	I <sub>ee</sub> (Typ.) (mA)	I <sub>ee</sub> (Max.) (mA)
-5.0	3.0	6.0

**Control Voltages**

State	Bias Condition
Low	-3V to 0 Vdc @ 60 µA Typical
High	-5 to -4.2 Vdc @ 5 µA Typical

\* Isolation is recorded above insertion loss & measured at output of switch.

Information furnished by Analog Devices is believed to be accurate and reliable. However, no responsibility is assumed by Analog Devices for its use, nor for any infringements of patents or other rights of third parties that may result from its use. Specifications subject to change without notice. No license is granted by implication or otherwise under any patent or patent rights of Analog Devices. Trademarks and registered trademarks are the property of their respective owners.

For price, delivery, and to place orders: Analog Devices, Inc., One Technology Way, P.O. Box 9106, Norwood, MA 02062-9106 Phone: 781-329-4700 • Order online at [www.analog.com](http://www.analog.com) Application Support: Phone: 1-800-ANALOG-D



## GaAs MMIC SP4T NON-REFLECTIVE SWITCH, DC - 8 GHz

### Absolute Maximum Ratings

Bias Voltage Range (Vee)	-7.0 Vdc
Control Voltage Range (A & B)	Vee -0.5V to +1.0 Vdc
Channel Temperature	150 °C
Thermal Resistance (Insertion Loss Path)	100 °C/W
Thermal Resistance (Terminated Path)	180 °C/W
Storage Temperature	-65 to +150 °C
Operating Temperature	-40 to +85 °C
Maximum Input Power (Low Loss State)	+28 dBm
ESD Sensitivity (HBM)	Class 1A

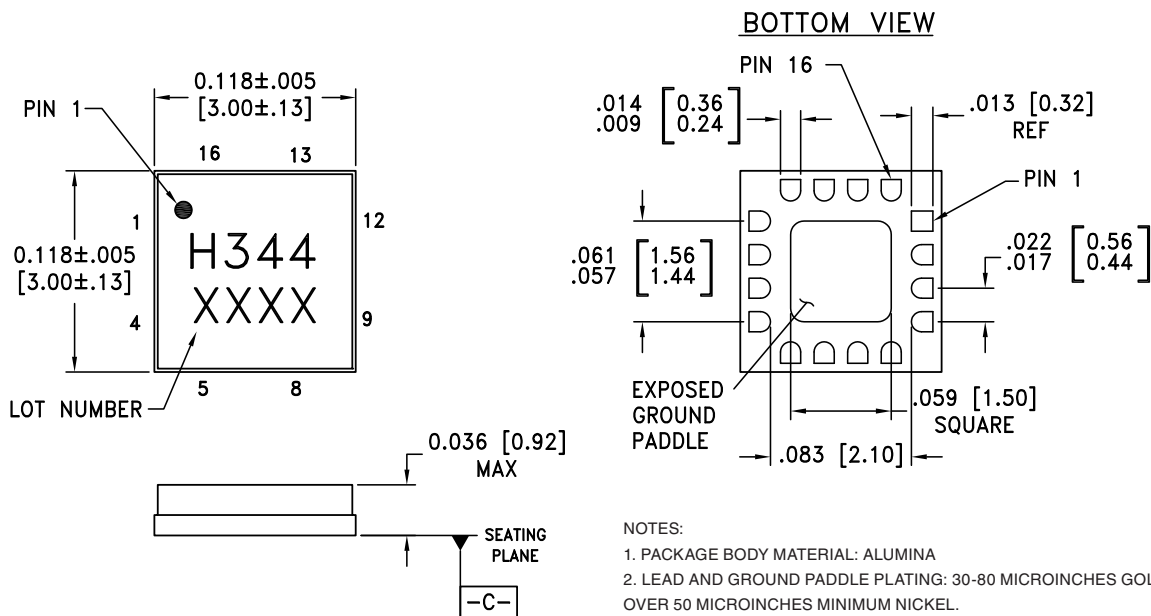
### Truth Table

Control Input		Signal Path State
A	B	RFC to:
High	High	RF1
Low	High	RF2
High	Low	RF3
Low	Low	RF4



**ELECTROSTATIC SENSITIVE DEVICE  
OBSERVE HANDLING PRECAUTIONS**

### Outline Drawing



### Package Information

Part Number	Package Body Material	Lead Finish	MSL Rating	Package Marking <sup>[2]</sup>
HMC344LC3	Alumina, White	Gold over Nickel	MSL3 <sup>[1]</sup>	H344 XXXX

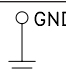
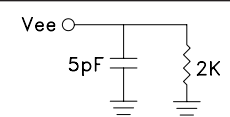
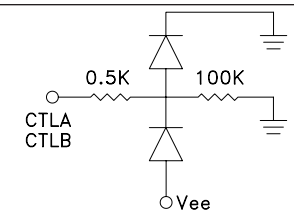
[1] Max peak reflow temperature of 260 °C

[2] 4-Digit lot number XXXX

## GaAs MMIC SP4T NON-REFLECTIVE SWITCH, DC - 8 GHz



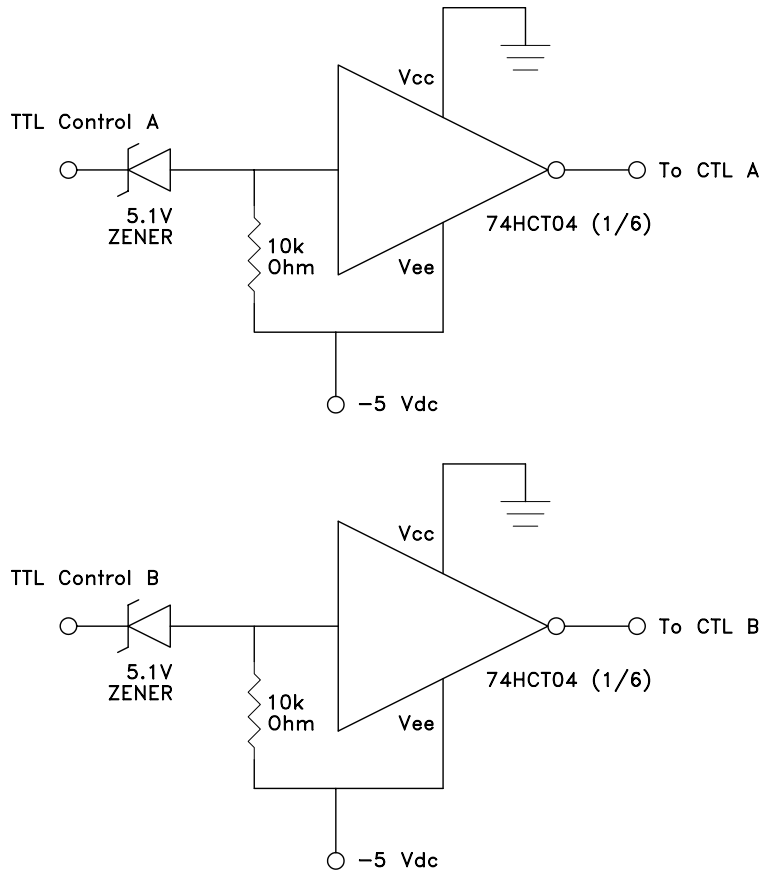
### Pin Descriptions

Pin Number	Function	Description	Interface Schematic
1, 4, 9, 12, 15	RF4, RF3, RF2, RF1, RFC	This pin is DC coupled and matched to 50 Ohm. Blocking capacitors are required if RF line potential is not equal to 0V.	
2, 3, 5, 10, 11, 14, 16	GND	Package bottom has exposed metal paddle that must also be connected to PCB RF ground.	
6	Vee	Supply Voltage -5V ± 10%	
7	CTLB	See truth table and control voltage table.	
8	CTLA	See truth table and control voltage table.	
13	N/C	This pin should be connected to PCB RF ground to maximize isolation.	



**GaAs MMIC SP4T NON-REFLECTIVE  
SWITCH, DC - 8 GHz**

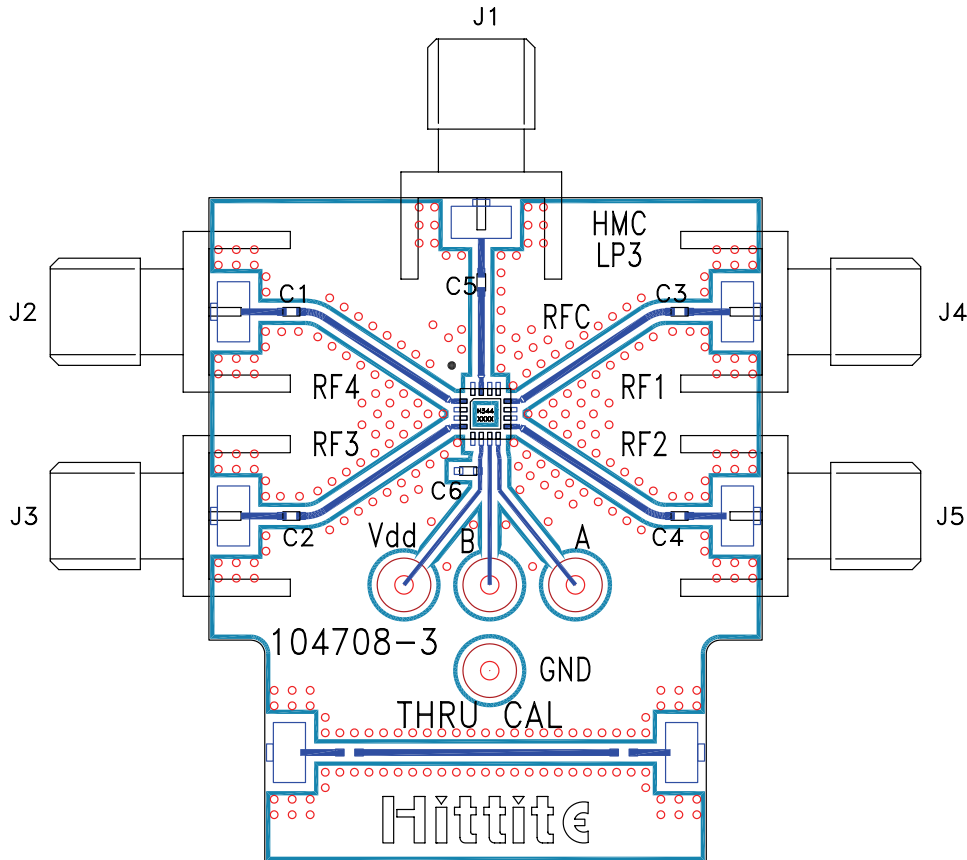
**TTL Interface Circuit**



## GaAs MMIC SP4T NON-REFLECTIVE SWITCH, DC - 8 GHz



### Evaluation PCB



### List of Materials for Evaluation PCB 105311 [1]

Item	Description
J1 - J7	PCB Mount SMA RF Connector
J8 - J11	DC Pin
C1 - C5	0Ω Resistor, 0402 Pkg.[3]
C6	1000 pF Capacitor, 0402 Pkg.
U1	HMC344LC3
PCB [2]	104708 Evaluation PCB 1.29"x1.55"

[1] Reference this number when ordering complete evaluation PCB

[2] Circuit Board Material: Rogers 4350

[3] Select and replace with a suitable capacitor value for applicable operating frequency range.

The circuit board used in the application should be generated with proper RF circuit design techniques. Signal lines at the RF port should have 50 ohm impedance and the package ground leads and backside ground slug should be connected directly to the ground plane similar to that shown above. The evaluation circuit board shown above is available from Hittite Microwave Corporation upon request.