

1

2

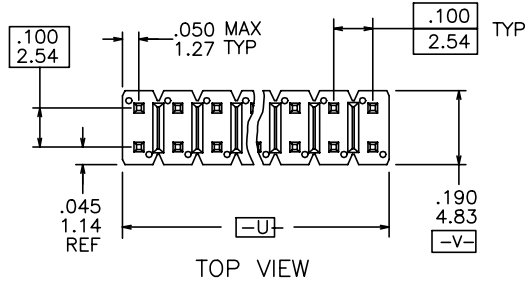
3

4

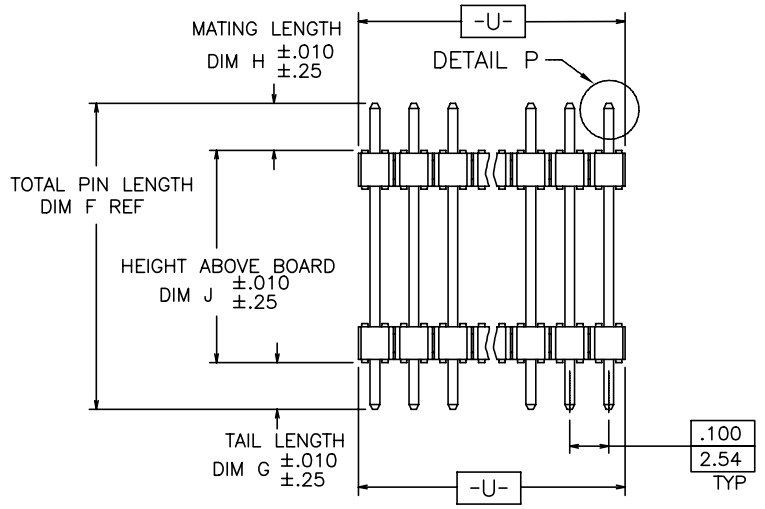
PRODUCT NUMBER

XXXXX-YYY HLF

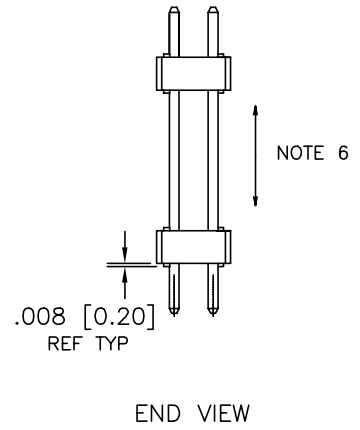
- LEAD FREE OPTION
SEE NOTE 1,7
- HIGH TEMPERATURE PLASTIC
SEE NOTE 1
- NO OF POSITIONS
SEE NOTE 1
- PIN PLATING
SEE SHEET 2
- BASE PART NO.



TOP VIEW



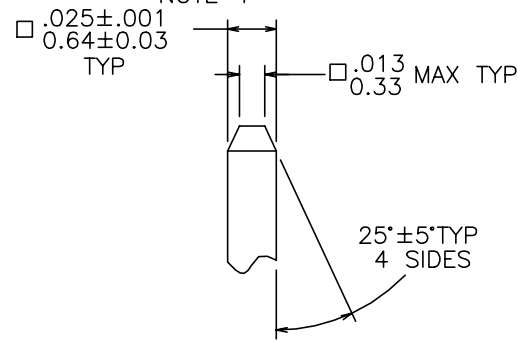
SIDE VIEW



END VIEW

⊕ ∅.020/0.51 (M) U (M) V (S)

NOTE 4



DETAIL P TYP BOTH ENDS

www.fciconnect.com			surface 6.4 ISO 1302	tolerance std ISO 406 ISO 1101	projection ⊕	INCH/MM
			TOLERANCES UNLESS OTHERWISE SPECIFIED		size A4	Scale 1.000
Dr	T. BREWBAKER	1/31/95	ANGULAR	LINEAR	0.X	±0.3
Eng	T. HANNA	1/31/95			0.XX	±0.15
Chr	T. HANNA	1/31/95	0°	±2°	0.XXX	±0.05
Appr	T. HANNA	1/31/95	Product family BERGSTIK		Spec ref	
FCI			title BERGSTIK® II HDR, D/R .100 CTR. R.R. TRACK		dwg no 78563	Rev. CX
			catalog no		CUSTOMER	sheet 1 of 7

rev	ecn no	dr	date
CX	ELX-N-16105	ZK	2013-10-22
CS	N06-0165	MHT	7/04/06
CT	M06-0269	AEA	7/14/06
CU	M06-0307	MHT	8/08/06
CV	M08-0291	MHT	10/08/08
CW	N11-0118	J.Z	2011-04-13



Copyright FCI.

1

2

3

4

PIN PLATING CODES:

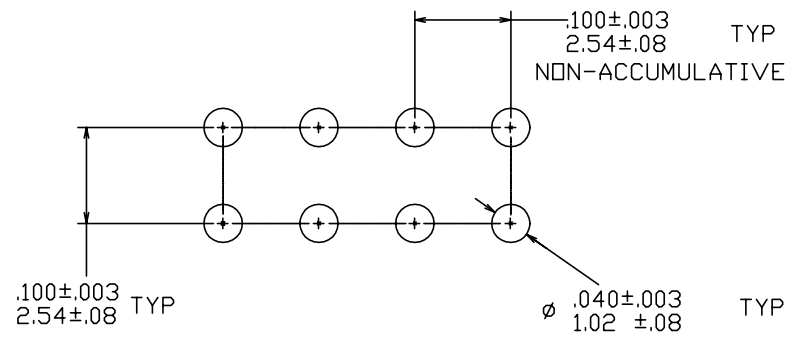
XXXXX-1YY	30u"/0.76u MIN (SEE NOTE 8) OVER 50u"/1.27u MIN Ni
XXXXX-2YY	15u"/0.38u MIN (SEE NOTE 8) OVER 50u"/1.27u MIN Ni
XXXXX-3YY	50u"/1.27u MIN (SEE NOTE 8) OVER 50u"/1.27u MIN Ni
XXXXX-4YY	TIN LEAD OPTION 120u"/3.05u MIN 93/7 SnPb OVER 50u"/1.27u MIN Ni
	LF OPTION 100u"/2.54u MIN Sn OVER 50u"/1.27u MIN Ni (SEE NOTE 1,9)
XXXXX-5YY	15u"/0.38u MIN (SEE NOTE 8) OVER 50u"/1.27u MIN Ni
XXXXX-6YY	30u"/0.76u MIN (SEE NOTE 8) OVER 50u"/1.27u MIN Ni
XXXXX-7YY	30u"/0.76u MIN (SEE NOTE 8) OVER 50u"/1.27u MIN Ni
XXXXX-8YY	15u"/0.38u MIN (SEE NOTE 8) OVER 50u"/1.27u MIN Ni
XXXXX-9YY	15u"/0.38u MIN (SEE NOTE 8) OVER 50u"/1.27u MIN Ni
XXXXX-0YY	30u"/0.76u MIN (SEE NOTE 8) OVER 50u"/1.27u MIN Ni

NOTES

- PART NUMBER OPTIONS:
PIN PLATING CODES (SEE ABOVE)
HIGH TEMP. MATERIAL:
FOR HIGH-TEMPERATURE APPLICATIONS, SPECIFY AN "H" AT THE END OF THE PART NUMBER, AND PCT WILL BE SUPPLIED.
NUMBER OF POSITION:
ANY NUMBER OF POSITIONS FROM 4 (2X2) THRU 72 (2X36).
PACKAGING:
PACKAGED IN POLY BAGS.
LEAD FREE:
ADD "HLF" SUFFIX AT THE END OF PART NUMBER FOR LEAD FREE OPTION, NOT AVAILABLE FOR -5YY,-5YYH,-6YY & -6YYH.
- BODY MATERIAL:
MANUFACTURER'S OPTION OF NYLON OR PCT, GLASS FIBER REINFORCED, FLAME RETARDENT PER UL-94V-0.
COLOR: BLACK OR MINERAL FILLED LCP FLAME RETARDENT PER UL-94V-0.
COLOR: BLACK

PART NUMBERS WITH "H" SUFFIX WILL WITHSTAND EXPOSURE TO 260°C PEAK TEMPERATURE FOR 20 SECONDS IN WAVE SOLDER, INFRA-RED OR VAPOR PHASE SOLDER PROCESS.

PART NUMBERS WITHOUT "H" SUFFIX WILL WITHSTAND EXPOSURE TO 260°C PEAK TEMPERATURE FOR WAVE SOLDER PROCESS.
- PIN MATERIAL: PHOS-BRONZE.
- MEASURED WITH PART IN RESTRAINED CONDITION.
- TWO SIDES OF PIN TIPS NOT PLATED. TYPICAL BOTH ENDS.
- 2LBS/0.9KG MIN PIN RETENTION IN EITHER DIRECTION.
- THESE PRODUCTS MEETS EUROPEAN UNION DIRECTIVES AND OTHER COUNTRY REGULATION AS DESCRIBED IN GS-22-008.
- PLATING OPTIONS:
PERFORMANCE PLATING WILL BE EITHER GOLD OR GXT ON POST OR TAIL, OPTIONALLY (78~295u"/2~7.5u) TIN ON TAIL.
- THIS PRODUCT HAS 100% TIN PLATING IN THE INTERFACE AND HAS NOT BEEN TESTED FOR WHISKER GROWTH IN ALL INTERCONNECT ENVIRONMENTS.



DOUBLE ROW RECOMMENDED HOLE PATTERN

www.fciconnect.com			surface ISO 1302 ✓	tolerance std ISO 406 ISO 1101	projection	INCH/MM
			TOLERANCES UNLESS OTHERWISE SPECIFIED			
Dr	T. BREWBAKER	1/31/95	ANGULAR	LINEAR	0.X	±0.3
Eng	T. HANNA	1/31/95			0.XX	±0.15
Chr	T. HANNA	1/31/95	0°	±2°	0.XXX	±0.05
Appr	T. HANNA	1/31/95	Product family BERGSTIK		Spec ref	
			title BERGSTIK® II HDR. D/R .100 CTR. R.R. TRACK		dwg no 78563	Rev. CX
			catalog no		CUSTOMER	sheet 2 of 7



Copyright FCI.

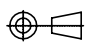
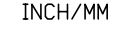

1

2

3

4

PRODUCT NUMBER	TOTAL PIN LGTH		TAIL LENGTH		MATING LENGTH		HEIGHT ABOVE BOARD		LF OPTION
	DIM F	DIM F	DIM G	DIM G	DIM H	DIM H	DIM J	DIM J	
	ENGLISH	METRIC	ENGLISH	METRIC	ENGLISH	METRIC	ENGLISH	METRIC	
58478-XYHH	0.808	20.52	0.120	3.05	0.268	6.81	0.420	10.67	OB
58479-XYHH	1.030	26.16	0.200	5.08	0.360	9.14	0.470	11.94	OB
60056-XYHH	0.425	10.80	0.150	3.81	0.065	1.65	0.210	5.33	OB
71282-XYHH	0.543	13.79	0.102	2.59	0.213	5.41	0.228	5.79	OB
71284-XYHH	0.920	23.37	0.122	3.10	0.372	9.45	0.426	10.82	OB
71285-XYHH	1.075	27.31	0.110	2.79	0.350	8.89	0.615	15.62	OB
71704-XYHH	1.145	29.08	0.354	8.99	0.354	8.99	0.437	11.10	OB
71725-XYHH	1.110	28.19	0.110	2.79	0.370	9.40	0.630	16.00	OB
71726-XYHH	1.380	35.05	0.315	8.00	0.315	8.00	0.750	19.05	OB
71728-XYHH	1.200	30.48	0.100	2.54	0.254	6.45	0.846	21.49	OB
71739-XYHH	0.945	24.00	0.110	2.79	0.110	2.79	0.725	18.42	OB
71741-XYHH	1.340	34.04	0.110	2.79	0.330	8.38	0.900	22.86	OB
71758-XYHH	1.123	28.52	0.394	10.01	0.394	10.01	0.335	8.51	OB
71797-XYHH	0.705	17.91	0.125	3.18	0.240	6.10	0.340	8.64	OB
72302-XYHH	1.176	29.87	0.100	2.54	0.230	5.84	0.846	21.49	OB
72307-XYHH	0.880	22.35	0.250	6.35	0.330	8.38	0.300	7.62	NOTE 1,7
72334-XYHH	0.775	19.69	0.120	3.05	0.230	5.84	0.425	10.80	OB
72335-XYHH	1.250	31.75	0.120	3.05	0.230	5.84	0.900	22.86	OB
72345-XYHH	0.630	16.00	0.100	2.54	0.230	5.84	0.300	7.62	OB
72320-XYHH	1.158	29.41	0.100	2.54	0.290	7.37	0.768	19.51	OB
72431-XYHH	1.150	29.21	0.262	6.65	0.262	6.65	0.626	15.90	OB
72461-XYHH	1.190	30.23	0.090	2.29	0.350	8.89	0.750	19.05	OB
72471-XYHH	1.286	32.66	0.130	3.30	0.406	10.31	0.750	19.05	OB
72509-XYHH	1.370	34.80	0.235	5.97	0.235	5.97	0.900	22.86	OB
72514-XYHH	1.220	30.99	0.120	3.05	0.350	8.89	0.750	19.05	OB
72521-XYHH	0.900	22.86	0.200	5.08	0.300	7.62	0.400	10.16	OB
73428-XYHH	1.330	33.78	0.330	8.38	0.727	18.47	0.273	6.93	OB
73500-XYHH	0.870	22.10	0.300	7.62	0.300	7.62	0.270	6.86	OB

www.fciconnect.com			surface ISO 1302 <input checked="" type="checkbox"/>	tolerance std ISO 406 ISO 1101	projection 	INCH/MM 	
			TOLERANCES UNLESS OTHERWISE SPECIFIED				
Dr	T. BREWBAKER	1/31/95	ANGULAR	LINEAR	0.X	±0.3	size A4
Eng	T. HANNA	1/31/95			0.XX	±0.15	Scale 1.000
Chr	T. HANNA	1/31/95	0°	±2°	0.XXX	±0.05	ECN
Appr	T. HANNA	1/31/95	Product family		BERGSTIK	Spec ref	
			title		BERGSTIK® II HDR. D/R .100 CTR. R.R. TRACK		Rev. CX
			catalog no		CUSTOMER	sheet 3 of 7	

REV F - 2006-04-17

1

2

3

PDS: Rev :CX

STATUS:Released

Printed: Oct 29, 2013

1

2

3

4

PRODUCT NUMBER	TOTAL PIN LGTH		TAIL LENGTH		MATING LENGTH		HEIGHT ABOVE BOARD		LF OPTION
	DIM F	DIM F	DIM G	DIM G	DIM H	DIM H	DIM J	DIM J	
	ENGLISH	METRIC	ENGLISH	METRIC	ENGLISH	METRIC	ENGLISH	METRIC	
73501-XYH	0.668	16.97	0.098	2.49	0.157	3.99	0.413	10.49	OB
73697-XYH	1.435	36.45	0.300	7.62	0.525	13.34	0.610	15.49	OB
73699-XYH	0.952	24.18	0.122	3.10	0.228	5.79	0.602	15.29	OB
74381-XYH	0.975	24.77	0.360	9.14	0.360	9.14	0.255	6.48	OB
74455-XYH	1.050	26.67	0.230	5.84	0.320	8.13	0.500	12.70	OB
74465-XYH	0.945	24.00	0.110	2.79	0.285	7.24	0.550	13.97	OB
74466-XYH	0.930	23.62	0.355	9.02	0.360	9.14	0.215	5.46	OB
74467-XYH	0.930	23.62	0.365	9.27	0.365	9.27	0.200	5.08	OB
74928-XYH	1.164	29.56	0.200	5.08	0.200	5.08	0.764	19.41	OB
74997-XYH	1.208	30.68	0.150	3.81	0.290	7.37	0.768	19.51	OB
78563-XY	0.930	23.62	0.340	8.64	0.340	8.64	0.250	6.35	OB
78564-XY	1.230	31.24	0.390	9.91	0.390	9.91	0.450	11.43	OB
78936-XY	0.785	19.94	0.120	3.05	0.120	3.05	0.545	13.84	OB
78937-XY	0.490	12.45	0.120	3.05	0.120	3.05	0.250	6.35	OB
84693-XYH	0.975	24.77	0.380	9.65	0.380	9.65	0.215	5.46	OB
84819-XYH	0.730	18.54	0.110	2.79	0.170	4.32	0.450	11.43	OB
84950-XYH	1.250	31.75	0.120	3.05	0.350	8.89	0.780	19.81	OB
86816-XY	0.925	23.50	0.120	3.05	0.120	3.05	0.685	17.40	OB
86824-XY	0.760	19.30	0.120	3.05	0.250	6.35	0.390	9.91	OB
86826-XY	0.700	17.78	0.120	3.05	0.330	8.38	0.250	6.35	OB
86831-XY	0.525	13.34	0.100	2.54	0.225	5.72	0.200	5.08	OB
86869-XY	1.020	25.91	0.120	3.05	0.230	5.84	0.670	17.02	OB
87039-XY	1.240	31.50	0.120	3.05	0.120	3.05	1.000	25.40	OB
87053-XY	0.990	25.15	0.120	3.05	0.120	3.05	0.750	19.05	OB
87323-XY	1.375	34.93	0.219	5.56	0.406	10.31	0.750	19.05	OB

A

B

C

D

A

B

C

D



Copyright FCI.

www.fciconnect.com			surface ISO 1302 <input checked="" type="checkbox"/>	tolerance std ISO 406 ISO 1101	projection 	INCH/MM ← →	
TOLERANCES UNLESS OTHERWISE SPECIFIED			ANGULAR	LINEAR	size	A4	
Dr	T. BREWBAKER	1/31/95	0.X	±0.3	Scale 1.000		
Eng	T. HANNA	1/31/95	0.XX	±0.15	ECN		
Chr	T. HANNA	1/31/95	0.XXX	±0.05	Spec ref		
Appr	T. HANNA	1/31/95	Product family BERGSTIK				
	title	BERGSTIK® II HDR. D/R .100 CTR. R.R. TRACK			dwg no	78563	
	catalog no	CUSTOMER			Rev.	CX	
					sheet	4 of 7	

REV F - 2006-04-17

1

2

3

4

PDS: Rev :CX

STATUS:Released

Printed: Oct 29, 2013

1

2

3

4

PRODUCT NUMBER	TOTAL PIN LGTH		TAIL LENGTH		MATING LENGTH		HEIGHT ABOVE BOARD		LF OPTION
	DIM F	DIM F	DIM G	DIM G	DIM H	DIM H	DIM J	DIM J	
	ENGLISH	METRIC	ENGLISH	METRIC	ENGLISH	METRIC	ENGLISH	METRIC	
87324-YYY	1.218	30.94	0.406	10.31	0.406	10.31	0.406	10.31	OB
87346-YYY	0.930	23.62	0.100	2.54	0.330	8.38	0.500	12.70	OB
87347-YYY	0.890	22.61	0.110	2.79	0.280	7.11	0.500	12.70	OB
87501-XYH	1.230	31.24	0.330	8.38	0.100	2.54	0.800	20.32	OB
87511-XYH	1.130	28.70	0.105	2.67	0.325	8.26	0.700	17.78	OB
87512-XYH	1.030	26.16	0.120	3.05	0.410	10.41	0.500	12.70	OB
87571-XYH	0.930	23.62	0.250	6.35	0.250	6.35	0.430	10.92	OB
87594-YYY	1.190	30.23	0.200	5.08	0.120	3.05	0.870	22.10	OB
87887-YYY	0.940	23.88	0.120	3.05	0.395	10.03	0.425	10.80	OB
87899-YYY	1.040	26.42	0.120	3.05	0.370	9.40	0.550	13.97	OB
89444-YYY	0.930	23.62	0.120	3.05	0.310	7.87	0.500	12.70	OB
89637-YYY	1.260	32.00	0.118	3.00	0.315	8.00	0.827	21.01	OB
89638-YYY	1.040	26.42	0.120	3.05	0.270	6.86	0.650	16.51	OB
90237-YYY	0.813	20.65	0.120	3.05	0.318	8.08	0.375	9.53	OB
90608-YYY	0.595	15.11	0.120	3.05	0.255	6.48	0.220	5.59	OB
90806-YYY	1.400	35.56	0.360	9.14	0.200	5.08	0.840	21.34	OB
91507-XYH	0.610	15.49	0.120	3.05	0.240	6.10	0.250	6.35	OB
91508-XYH	0.888	22.56	0.120	3.05	0.500	12.70	0.268	6.81	OB
91509-XYH	1.260	32.00	0.120	3.05	0.500	12.70	0.640	16.26	OB
91510-XYH	0.960	24.38	0.120	3.05	0.500	12.70	0.340	8.64	OB
91862-XYH	0.767	19.48	0.120	3.05	0.297	7.54	0.350	8.89	OB
91863-XYH	0.792	20.12	0.120	3.05	0.297	7.54	0.375	9.53	OB

A

B

C

D

A

B

C

D



Copyright FCI.

www.fciconnect.com			surface ISO 1302 <input checked="" type="checkbox"/>	tolerance std ISO 406 ISO 1101	projection 	INCH/MM ←→	
TOLERANCES UNLESS OTHERWISE SPECIFIED			ANGULAR	LINEAR	0.X	±0.3	size A4
Dr	T. BREWBAKER	1/31/95			0.XX	±0.15	Scale 1.000
Eng	T. HANNA	1/31/95	0°	±2°	0.XXX	±0.05	ECN
Chr	T. HANNA	1/31/95	Product family		BERGSTIK		Spec ref
Appr	T. HANNA	1/31/95	title			BERGSTIK® II HDR. D/R	
			catalog no			78563	
			CUSTOMER			sheet 5 of 7	
			Rev.			CX	

REV F - 2006-04-17

1

2

3

4

PDS: Rev :CX

STATUS:Released

Printed: Oct 29, 2013

1

2

3

4

PRODUCT NUMBER	TOTAL PIN LGTH		TAIL LENGTH		MATING LENGTH		HEIGHT ABOVE BOARD		LF OPTION
	DIM F	DIM F	DIM G	DIM G	DIM H	DIM H	DIM J	DIM J	
	ENGLISH	METRIC	ENGLISH	METRIC	ENGLISH	METRIC	ENGLISH	METRIC	
92002-XYH	0.980	24.89	0.120	3.05	0.410	10.41	0.450	11.43	OB
92012-XYH	0.940	23.88	0.090	2.29	0.350	8.89	0.500	12.70	OB
92013-XYH	1.450	36.83	0.120	3.05	0.330	8.38	1.000	25.40	OB
92094-XYH	1.030	26.16	0.180	4.57	0.180	4.57	0.670	17.02	OB
92628-XYH	1.160	29.46	0.120	3.05	0.230	5.84	0.810	20.57	OB
92900-XYH	0.470	11.94	0.110	2.79	0.110	2.79	0.250	6.35	OB
93223-XYH	0.635	16.13	0.090	2.29	0.230	5.84	0.315	8.00	OB
94046-XYH	0.620	15.75	0.120	3.05	0.250	6.35	0.250	6.35	OB
94082-XYH	0.838	21.29	0.120	3.05	0.318	8.08	0.400	10.16	OB
94083-XYH	1.398	35.51	0.120	3.05	0.318	8.08	0.960	24.38	OB
94084-XYH	0.775	19.69	0.130	3.30	0.265	6.73	0.380	9.65	OB
94085-XYH	0.825	20.96	0.130	3.30	0.265	6.73	0.430	10.92	OB
94550-XYH	1.110	28.19	0.125	3.18	0.300	7.62	0.685	17.40	OB
94551-XYH	1.120	28.45	0.415	10.54	0.415	10.54	0.290	7.37	OB
94552-XYH	1.230	31.24	0.110	2.79	0.205	5.21	0.915	23.24	OB
94553-XYH	1.230	31.24	0.120	3.05	0.310	7.87	0.800	20.32	OB
94554-XYH	1.250	31.75	0.120	3.05	0.330	8.38	0.800	20.32	OB
94555-XYH	1.270	32.26	0.385	9.78	0.385	9.78	0.500	12.70	OB
94605-XYH	0.830	21.08	0.110	2.79	0.270	6.86	0.450	11.43	OB
94620-XYH	1.002	25.45	0.120	3.05	0.382	9.70	0.500	12.70	OB
94621-XYH	0.590	14.99	0.100	2.54	0.260	6.60	0.230	5.84	OB
94632-XYH	1.040	26.42	0.110	2.79	0.305	7.75	0.625	15.88	OB
94672-XYH	0.750	19.05	0.120	3.05	0.335	8.51	0.295	7.49	OB
95036-XYH	1.304	33.12	0.290	7.37	0.290	7.37	0.724	18.39	OB
95063-XYH	0.902	22.91	0.135	3.43	0.330	8.38	0.437	11.10	OB
95064-XYH	0.630	16.00	0.220	5.59	0.120	3.05	0.290	7.37	OB
95088-XYH	1.100	27.94	0.300	7.62	0.300	7.62	0.500	12.70	OB

A

B

C

D

A

B

C

D



Copyright FCI.

www.fciconnect.com			surface <input checked="" type="checkbox"/> ISO 1302	tolerance std <input checked="" type="checkbox"/> ISO 406 ISO 1101	projection	INCH/MM
TOLERANCES UNLESS OTHERWISE SPECIFIED			ANGULAR	LINEAR	size A4	Scale 1.000
Dr	T. BREWBAKER	1/31/95	0.X	±0.3	ECN	
Eng	T. HANNA	1/31/95	0.XX	±0.15	Spec ref	
Chr	T. HANNA	1/31/95	0.XXX	±0.05	Product family BERGSTIK	
Appr	T. HANNA	1/31/95	Product family BERGSTIK		Spec ref	
			title BERGSTIK® II HDR. D/R .100 CTR. R.R. TRACK		dwg no 78563	Rev. CX
			catalog no		CUSTOMER	sheet 6 of 7

REV F - 2006-04-17

1

2

3

4

PDS: Rev :CX

STATUS:Released

Printed: Oct 29, 2013

PRODUCT NUMBER	TOTAL PIN LGTH		TAIL LENGTH		MATING LENGTH		HEIGHT ABOVE BOARD		LF OPTION
	DIM F	DIM F	DIM G	DIM G	DIM H	DIM H	DIM J	DIM J	
	ENGLISH	METRIC	ENGLISH	METRIC	ENGLISH	METRIC	ENGLISH	METRIC	
95116-XYH	1.430	36.32	0.110	2.79	0.445	11.30	0.875	22.23	OB
95124-XYH	0.838	21.29	0.112	2.84	0.289	7.34	0.437	11.10	OB
95129-XYH	1.330	33.78	0.060	1.52	0.350	8.89	0.920	23.37	OB
95616-XYH	1.253	31.83	0.170	4.32	0.343	8.71	0.740	18.80	OB
95656-XYH	0.910	23.11	0.230	5.84	0.230	5.84	0.450	11.43	OB
95657-XYH	0.980	24.89	0.300	7.62	0.230	5.84	0.450	11.43	OB
95685-XYH	0.895	22.73	0.340	8.64	0.340	8.64	0.215	5.46	OB
95686-XYH	0.900	22.86	0.350	8.89	0.350	8.89	0.200	5.08	OB
95711-XYH	1.030	26.16	0.180	4.57	0.100	2.54	0.750	19.05	OB
95731-XYH	1.335	33.91	0.110	2.79	0.395	10.03	0.830	21.08	OB
95762-XYH	1.050	26.67	0.150	3.81	0.230	5.84	0.670	17.02	OB
95787-XYH	0.930	23.62	0.100	2.54	0.225	5.72	0.605	15.37	OB
95788-XYH	1.130	28.70	0.155	3.94	0.175	4.45	0.800	20.32	OB
98048-XYH	0.609	15.47	0.120	3.05	0.230	5.84	0.259	6.58	OB
98049-XYH	0.930	23.62	0.090	2.29	0.210	5.33	0.630	16.00	OB
98070-XYH	1.086	27.58	0.125	3.18	0.232	5.89	0.728	18.49	OB
98141-XYH	0.530	13.46	0.120	3.05	0.120	3.05	0.290	7.37	OB
98216-XYH	0.850	21.59	0.120	3.05	0.120	3.05	0.610	15.49	OB
98836-XYH	0.830	21.08	0.150	3.81	0.220	5.59	0.460	11.68	OB
10007210-XYH	1.130	28.70	0.220	5.59	0.460	11.68	0.450	11.43	OB
10017135-XYH	1.330	33.78	0.285	7.24	0.595	15.11	0.450	11.43	OB
10017288-XYH	1.331	33.81	0.160	4.06	0.210	5.33	0.961	24.41	OB
10033859-XYH	1.130	28.70	0.190	4.83	0.490	12.45	0.450	11.43	OB
10037932-XYH	1.230	31.24	0.190	4.83	0.590	14.99	0.450	11.43	OB
10070373-XYH	1.338	34.00	0.125	3.20	0.275	7.00	0.937	23.80	OB
10117016-XYH	0.695	17.66	0.240	6.10	0.240	6.10	0.215	5.46	NOTE 1,7
10117057-XYH	0.805	20.45	0.120	3.05	0.217	5.50	0.469	11.90	OB

A

B

C

D

A

B

C

D



Copyright FCI.

www.fciconnect.com			surface ISO 1302 <input checked="" type="checkbox"/>	tolerance std ISO 406 ISO 1101	projection 	INCH/MM ←→	
TOLERANCES UNLESS OTHERWISE SPECIFIED			ANGULAR	LINEAR	0.X	±0.3	size A4
Dr	T. BREWBAKER	1/31/95			0.XX	±0.15	Scale 1.000
Eng	T. HANNA	1/31/95	0°	±2°	0.XXX	±0.05	ECN
Chr	T. HANNA	1/31/95	Product family BERGSTIK		Spec ref		
Appr	T. HANNA	1/31/95	title BERGSTIK® II HDR. D/R .100 CTR. R.R. TRACK			dwg no 78563	
catalog no			CUSTOMER			sheet 7 of 7	
			Rev. CX				