

# CENB1010

Universal 10 Watt Series



ITE Switch-Mode Power Supply

3 Year Warranty

- 100-240VAC Universal Input Range
- Meets EISA2007, CEC Efficiency Level V, EU (EC) No 278/2009 Phase II
- Desktop & Wall Plug Styles
- 5V to 48V Single Output Models, up to 12W
- Modified and Custom Designs Available
- Regulated Output with Low Ripple
- Impact-Resistant Polycarbonate Enclosure
- No load Power Consumption <0.3W
- Limited Power Source
- Certified to UL/EN/IEC60950-1, 2<sup>nd</sup> Edition



RoHS



LPS



## Specifications

All Specifications are typical at nominal input, full load at 25°C unless otherwise stated.

<b>AC Input</b>	100-240VAC, +/-10%, 47-63 Hz, 1Ø	<b>MTBF</b>	>100,000 hours (calculated)
<b>Input Current</b>	100Vac: 0.27A	<b>Hold-up Time</b>	18 ms min. @ 115Vac, 60 ms min. @ 230 Vac
<b>Inrush Current</b>	60 A peak max at 264 Vac	<b>Overload Protection</b>	Hiccup Mode
<b>Input Fuse</b>	Internal Primary Current Fuse provided (1A, 250Vac rated)	<b>Short Circuit Protection</b>	Hiccup Mode
<b>Efficiency</b>	Meets EISA2007, CEC Efficiency Level V, EU (EC) No 278/2009 Phase II	<b>Topology</b>	Switching – Fixed Frequency Flyback
<b>Output Voltage</b>	See chart	<b>Safety Standards</b>	EN/IEC/CSA/UL60950-1, 2 <sup>nd</sup> Edition, LPS
<b>Output Power</b>	See chart	<b>EMC, Radiated &amp; Conducted</b>	See Chart below
<b>Ripple and Noise</b>	1% pk-pk max., 20MHz BW	<b>Dielectric Withstand</b>	Input-Output: 4,242Vdc, Input-Ground: 1,500 Vac, Output-Ground: 500 Vdc
<b>Line &amp; Load Voltage Regulation</b>	Line: +/- 1%, Load: +/-5%	<b>Operating Temperature</b>	0° to 40°C, no derating
<b>Minimum Load</b>	Not required	<b>Storage Temperature</b>	-30 to +85°C
<b>Case Material</b>	Black 94V-0 Polycarbonate	<b>Relative Humidity</b>	5% to 95%, non-condensing
<b>Case Dimensions</b>	84 x 47 x 32mm. See outline drawing	<b>Altitude</b>	0 to 10,000 ft
<b>Weight</b>	110g	<b>Output Cable</b>	#20AWG (UL2468), 1500mm, 2 conductor
		<b>Output Connector</b>	2.5mm barrel type (Ault #3), center contact (+) Other options available, contact the factory for details

## EMC Specifications

<b>Conducted Emissions</b>	EN55022 Class B, FCC Part 15, Class B.
<b>Radiated Emissions</b>	EN55022 Class B, FCC Part 15, Class B.
<b>Line Frequency Harmonics</b>	EN61000-3-2, Class A
<b>Voltage Fluctuations/Flicker</b>	EN61000-3-3
<b>Static Discharge Immunity</b>	EN61000-4-2, 6kV Contact Discharge, 8kV air discharge
<b>Radiated RF Immunity</b>	EN61000-4-3, 3V/m.
<b>EFT/Burst Immunity</b>	EN61000-4-4, 2kV/5kHz.
<b>Line Surge Immunity</b>	EN61000-4-5, 1kV differential, 2kV common-mode
<b>Conducted RF Immunity</b>	EN61000-4-6, 3Vrms
<b>Power Frequency Magnetic Field Immunity</b>	EN61000-4-8, 3A/m
<b>Voltage Dip Immunity</b>	EN61000-4-11, Criteria B

# CENB1010

Universal 10 Watt Series

ITE Switch-Mode Power Supply



3 Year Warranty

Model Number	Volts (V)	Output Current (max)	Max Watts	Ripple (Vp-p max)
CENB1010A0503F01	5 V	2.00 A	10.0 W	50 mV
CENB1010A0603F01	6 V	2.00 A	12.0 W	60 mV
CENB1010A0703F01	7.5 V	1.60 A	12.0 W	75 mV
CENB1010A0903F01	9 V	1.10 A	10.0 W	90 mV
CENB1010A1203F01	12 V	1.00 A	12.0 W	120 mV
CENB1010A1503F01	15 V	0.80 A	12.0 W	150 mV
CENB1010A1603F01	16 V	0.75 A	12.0 W	160 mV
CENB1010A1803F01	18 V	0.67 A	12.0 W	180 mV
CENB1010A2403F01	24 V	0.50 A	12.0 W	240 mV
CENB1010A4803F01	48 V	0.25 A	12.0 W	480 mV

Notes: Part numbers above include #3 output connector and IEC320 C14 grounded input receptacle. See below for other options.

## Model Number Key

**CENB 1 010 A VV 03 F 01**

<b>Model</b>	"01" = Standard. "02" and higher indicates a modified model.
<b>Input Connector:</b>	"F" = IEC320 C14 grounded, Other options available, see below
<b>Output Connector:</b>	"03" = 2.5mm Barrel Type Connector. Other options available, contact factory.
<b>Output Voltage:</b>	"05" = 5Vdc, "12" = 12Vdc, "24" = 24Vdc, etc.
<b>Model</b>	"A" = Original Configuration
<b>Output Power:</b>	"010" = 10 Watts
<b># of Outputs</b>	"1" = Single Output
<b>Product Family:</b>	"C" = Commercial/ITE/Industrial, "E" = External, "NB" = Model Series Designator

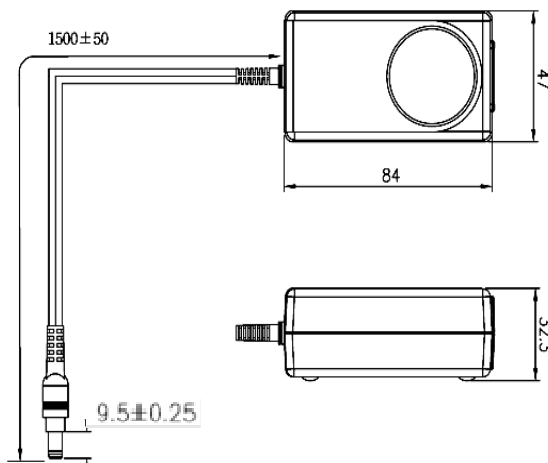
## AC Input Receptacle Options

Desktop			Wall-Plug				
IEC320 - C14 Class I Grounded (F)	IEC320 - C18 Class II Ungrounded (Q)	IEC320 - C8 Class II "Shaver" (N)	N. America Japan Interchangeable (B)	N. America Japan Fixed (C)	Europe Fixed (M)	United Kingdom Fixed (G)	Australia Fixed (H)
Notes:							
1. For desktop options, choose applicable letter above.							
2. For Wall-Plug options, choose the applicable letter above and the unit will be fitted with the receptacle chosen. The N. A. blade version (B) will be an interchangeable blade. The other options (C), (M), (G), and (H) will be fixed blades molded in the case.							
3. Blade Kit is available which will include one each of a EU, UK, and Australian blade. Kit part # is KT1027K. These can be used with the (B) version, to allow blades to be changed.							

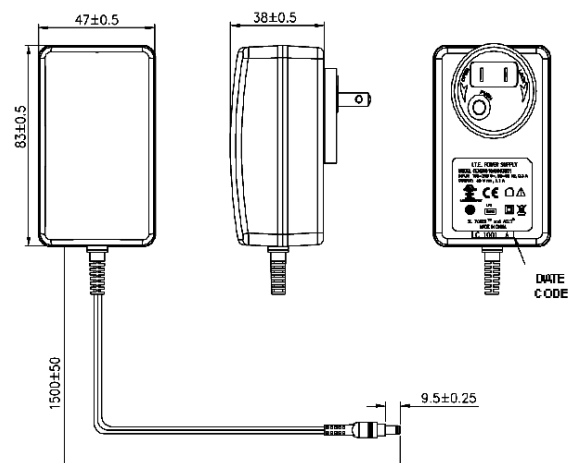
## Output Connector

Notes:
1. Ault #3 Connector, center contact (+).
2. Connector is Switchcraft 760 plug or equivalent. Mating connector is Switchcraft 712A or equivalent.
3. Other connector options are available. Contact your local SL Power Representative for details.

## Outline Drawings



Desktop Style



Wall-Plug Style (Option "B" Shown)

Data Sheet © 2010 SL Power Electronics Corp. The information and specifications contained herein are believed to be correct at the time of publication. Rev. 12-22-2010  
However, SL Power accepts no responsibility for consequences arising from reproduction errors or inaccuracies. Specifications are subject to change without notice.