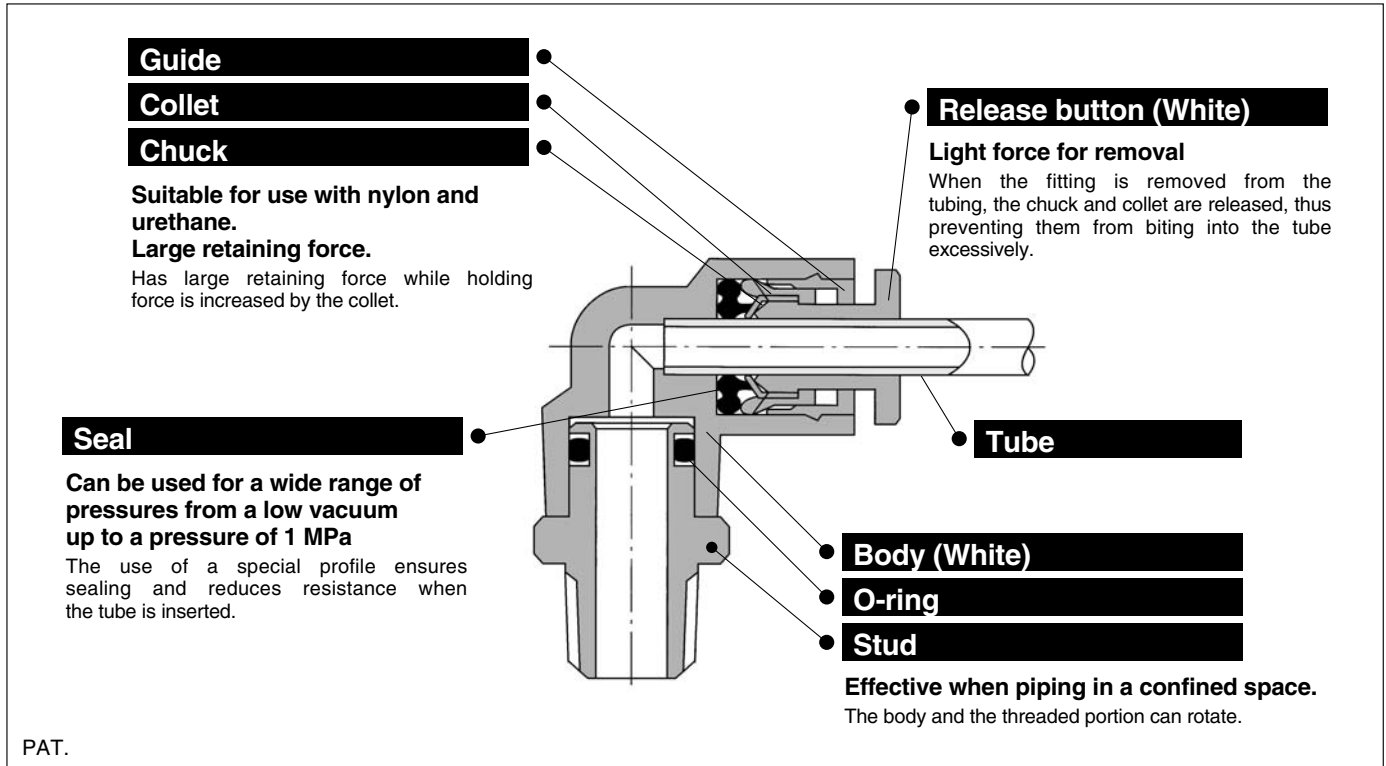


Stainless One-touch Fittings Series KG

RoHS



Stainless specifications applicable to corrosive environments

Stainless steel 303 adopted for metal elements

Suitable for use in CRT production lines where contact with copper must be avoided, food processing machines where water or salt water splashes and clean room where discoloration of copper material and corrosion must be avoided.



Applicable Tubing

Tube material	FEP, PFA, Nylon, Soft nylon, ⁽¹⁾ Polyurethane
Tube O.D.	ø4, ø6, ø8, ø10, ø12, ø16

Note 1) Soft nylon tubing is not compatible with water.

Specifications

Fluid		Air/Water ⁽²⁾
Operating pressure range⁽³⁾		-100kPa to 1MPa
Proof pressure		3MPa
Ambient and fluid temperature		-5 to 60°C (Water: 0 to 40°C) (No freezing)
Thread	Mounting section	JIS B 0203 (Taper thread for piping) JIS B 0205 (Metric coarse thread)
	Nut section	JIS B 0205 (Metric fine thread)
Seal on the threads		With sealant or none ⁽⁴⁾



Note 2) The surge pressure must be under the maximum operating pressure.

Note 3) Do not use the fittings with a leak tester or for vacuum retention because they are not guaranteed for zero leakage.

Note 4) Suffix "S" to the part number, if w/ seal is desired.

Principal Parts Material

Body	Stainless steel 303, PBT
Stud	Stainless steel 303 (Thread portion)
Chuck	Stainless steel 304
Guide	Stainless steel 304, Stainless steel 303, PBT
Collet, Release button	POM
Seal, O-ring	NBR
Gasket	Stainless steel 304, NBR



Made to Order
(Refer to page 251 for details.)



Model

Hex. socket head male connector

KGS P.242



Internal hex. allows thread connection by using an allen wrench for confined spaces.



Bulkhead union

KGE P.250



Use to connect tubes through a panel.



Universal male elbow

KGV P.244



Universal male elbow allows thread connection by using a socket wrench for confined spaces.

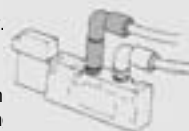


Extended male elbow

KGW P.246



Basically, it is used together with male elbow. Different point is that it is used for fittings to avoid from interfering with each other by making the pipin two-level.



Bulkhead connector

KGE P.250



Use to connect male thread and tube through a panel.



Male connector

KGH P.242



Use to pipe in the same direction from female thread. Most general style.

Male elbow

KGL P.243



Use to pipe at right angles to female thread. Most general style.

Male branch tee

KGT P.246



Use to branch line from female thread in both 90° directions.

Female connector

KGF P.243



Use to pipe from male thread such as pressure gauge.

Union elbow

KGL P.245



Use to connect tubes at right angles.

Union tee

KGT P.246



Use to connect tubes in both 90° directions.

Straight union

KGH P.243



Use to connect tubes in the same direction.

Plug-in elbow

KGL P.245



Use to change by 90° in a tube fetching direction from One-touch fittings.

Different diameter tee

KGT P.247



Use to connect tubes with size down in both 90° directions.

Different diameter straight

KGH P.243



Use to connect different sized tubes.

Male delta union

KGD P.247



Use to branch line in 90° direction from female thread.

Male run tee

KGY P.247



Use to branch line in the same direction from female thread and in 90° direction.

Male branch connector

KGLU P.244



Use to branch line at right angles to female thread.

Delta union

KGD P.248



Use to branch line in tripple 90° direction.

Different dia. double union "Y"

KGUD P.249



Use to four-branch line in the same direction.

Branch union elbow

KGLU P.245



Use to branch line at right angles.

Delta branch

KGUD P.248



Use to four-branch line in the same direction from female thread.

Union "Y"

KGU P.249



Use to branch line in the same direction.

K

M

H

KK

D

MS

LQ

MQR

T

Series KG

Model

Different dia. union "Y"

KGU P.249



Use to connect tubes in the same direction, reducing the size of tubes.

Plug-in reducer

KGR P.249



Use to change size of One-touch fittings.

Tube cap

KGC P.250



Use to plug unused tubing.

Branch

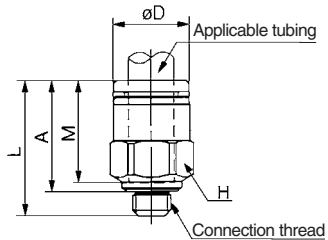
KGU P.248



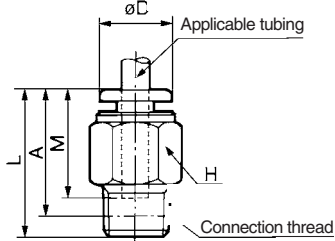
Use to branch line in the same direction from the female thread.

Male Connector: KGH

<M5>



<R>



Applicable tubing O.D. (mm)	Connection thread M R	Model	H (width across flats)	øD ⁽¹⁾	L	A*	M	Effective area ⁽²⁾ (mm ²)		Mass (g)
								Nylon	Urethane	
4	M5 x 0.8	KGH04-M5	8	8	17	13.9	12.7	4	4	2.4
	1/8	KGH04-01	10	—	21.1	18	16	5.6	4	9
	1/4	KGH04-02	14	—	19	13.5	16	—	—	16
6	M5 x 0.8	KGH06-M5	10	10	17.8	14.7	13.5	4	4	3.4
	1/8	KGH06-01	12	—	21.6	18.5	17	13.1	10.4	16
	1/4	KGH06-02	14	—	22.5	17	17	—	—	14
8	3/8	KGH06-03	17	—	20.9	15.5	17	—	—	27
	1/8	KGH08-01	14	—	27.1	24	18.5	26.1	18.0	21
	1/4	KGH08-02	17	—	26	20.5	18.5	—	—	19
10	3/8	KGH08-03	17	—	20.9	15.5	18.5	—	—	26
	1/8	KGH10-01	17	—	29.1	26	21	41.5	29.5	19
	1/4	KGH10-02	17	—	33	27.5	21	—	—	30
12	3/8	KGH10-03	17	—	27.9	22.5	21	—	—	30
	1/2	KGH10-04	22	—	26.1	19	22	—	—	53
	1/4	KGH12-02	19	—	34	28.5	22	58.3	46.1	42
16	3/8	KGH12-03	19	—	28.9	23.5	22	—	—	34
	1/2	KGH12-04	22	—	29.1	22	24	81	(81)	51
	3/8	KGH16-03	24	—	38.4	32	24	—	—	61
16	1/2	KGH16-04	24	—	34.6	26.5	24	113	(96)	47

* Reference dimensions after R thread installation.

Note 1) øD: Max. diameter

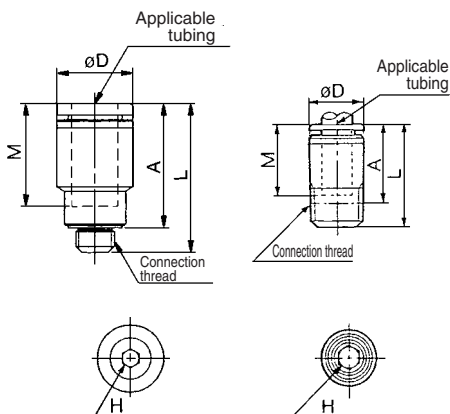
Note 2) (): Values for soft nylon.



Hexagon Socket Head Male Connector: KGS

<M5>

<R>



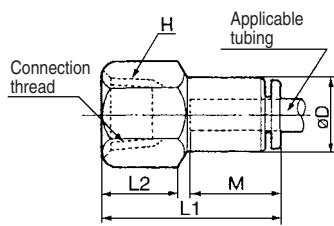
Applicable tubing O.D. (mm)	Connection thread M R	Model	H (width across flats)	øD ^{Note)}	L	A*	M	Effective area ⁽²⁾ (mm ²)		Mass (g)
								Nylon	Urethane	
4	M5 x 0.8	KGS04-M5	2.5	8	18.7	15.6	12.7	4	4	2.6
	1/8	KGS04-01	3	9.8	23	19	16	4.1	3.6	8
6	M5 x 0.8	KGS06-M5	2.5	10	19.5	16.4	13.5	4	4	3.2
	1/8	KGS06-01	4	11.8	24	20	17	10.0	9.9	9
8	1/4	KGS06-02	4	13.8	24	18	17	10.7	10.0	15
	1/8	KGS08-01	5	14	28	24	18.5	17.2	—	12
	1/4	KGS08-02	6	17	25.5	19.5	18.5	23.3	16.2	11
10	3/8	KGS08-03	6	17	27.5	21.5	18.5	—	—	24
	1/8	KGS10-01	5	17	30	26	21	17.2	10.0	18
	1/4	KGS10-02	8	17	27.5	21.5	21	39.0	26.6	19
12	3/8	KGS10-03	8	17	27.5	21	21	—	—	35
	1/2	KGS10-04	22	22	28	20	22	46.0	—	23
	1/4	KGS12-02	8	19	33.5	27.5	22	—	—	23
12	3/8	KGS12-03	10	19	29	22.5	22	60.0	44.5	18
	1/2	KGS12-04	10	22	28	20	22	—	—	30

* Reference dimensions after R thread installation.

Note) øD: Max. diameter



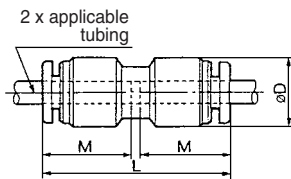
Female Connector: KGF



Applicable tubing O.D. (mm)	Connection thread Rc thread	Model	H (width across flats)	Note) øD	L1	L2	M	Effective area (mm ²)		Mass (g)
								Nylon	Urethane	
4	1/8	KGF04-01	14	10	27	11	16	5.6	4	15
	1/4	KGF04-02	17		31	14				23
6	1/8	KGF06-01	14	12	27.5	11	17	13.1	10.4	15
	1/4	KGF06-02	17		31	13				22
	3/8	KGF06-03	19		33.5	15				25
8	1/8	KGF08-01	14	14	29	11	18.5	26.1	18.0	17
	1/4	KGF08-02	17		32.5	13				24
	3/8	KGF08-03	19		33.5	14				24
10	1/4	KGF10-02	17	17	34.5	14	21	41.5	29.5	27
	3/8	KGF10-03	19		36.5	15				30
	1/2	KGF10-04	24		41	18				52
12	1/4	KGF12-02	19	19	35	14	22	58.3	46.1	36
	3/8	KGF12-03	19		37					31
	1/2	KGF12-04	24		41					18

Note) øD: Max. diameter

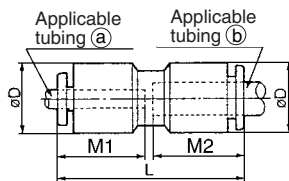
Straight Union: KGH



Applicable tubing O.D. (mm)	Model	Note) øD	L	M	Effective area (mm ²)		Mass (g)
					Nylon	Urethane	
4	KGH04-00	10.4	32.5	16	5.6	4	3
6	KGH06-00	12.8	34.5	17	13.1	10.4	4
8	KGH08-00	15.2	38.5	18.5	26.1	18.0	6
10	KGH10-00	18.5	42.5	21	41.5	29.5	11
12	KGH12-00	20.9	44.5	22	58.3	46.1	14

Note) øD: Max. diameter

Different Diameter Straight: KGH

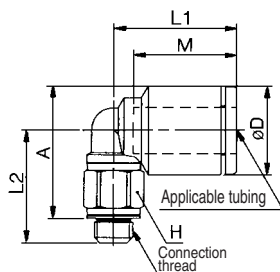


Applicable tubing O.D. (mm)		Model	Note) øD	L	M1	M2	Effective area (mm ²)		Mass (g)
(a)	(b)						Nylon	Urethane	
4	6	KGH04-06	12.8	34.5	16	17	5.6	4	5
6	8	KGH06-08	15.2	38.5	17	18.5	13.1	10.4	6
8	10	KGH08-10	18.5	42	18.5	21	26.1	18.0	11
10	12	KGH10-12	20.9	44.5	21	22	41.5	29.5	14

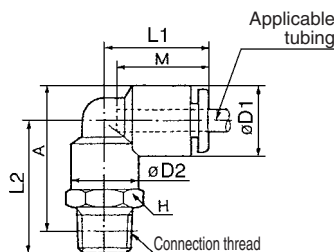
Note) øD: Max. diameter

Male Elbow: KGL

<M5>



<R>



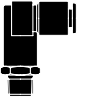
Applicable tubing O.D. (mm)	Connection thread M R	Model	H (width across flats)	Note) (1) øD1	øD2	L1	L2	A*	M	Effective area (2) mm ²		Mass (g)
										Nylon	Urethane	
4	M5 x 0.8	KGL04-M5	7	9.3	-	15.6	13.7	15.3	12.7	3.5	3.5	2.7
	1/8	KGL04-01	10	10.4	10	18	21.1	23	16	4.2	4.2	10
	1/4	KGL04-02	14				25.5	25				19
6	M5 x 0.8	KGL06-M5	7	11.6	-	16.1	14.7	17.4	13.5	3.5	3.5	3.1
	1/8	KGL06-01	10	12.8	10	20	22.1	25.5	17	11.4	9.0	12
	1/4	KGL06-02	14				26.5	27.5				10
	3/8	KGL06-03	17				27.9	29				33
1/8	KGL08-01	12	23.6				28	13				
8	1/4	KGL08-02	14	15.2	12	23	28	30	18.5	21.6	14.9	21
	3/8	KGL08-03	17				29.4	31.5				35
	1/8	KGL10-01	17				26.1	32				25
10	1/4	KGL10-02	17	18.5	17	26.5	29.5	33	21	35.2	25.0	26
	3/8	KGL10-03	19				30.9	34.5				36
	1/2	KGL10-04	22				35.1	37				63
	1/4	KGL12-02	17				30.5	35.5				28
12	3/8	KGL12-03	17	20.9	17	28.5	31.9	37	22	50.2	39.7	38
	1/2	KGL12-04	22				36.1	39.5				65
	3/8	KGL16-03	22				26.5	20.9				34
16	1/2	KGL16-04	22				40.1	46		100	(84)	105

* Reference dimensions after R thread installation.

Note 1) øD1: Max. diameter

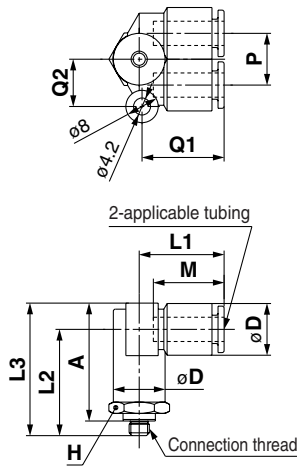
Note 2) (): Values for soft nylon.

Series KG



Male Branch Connector: KGLU

<M5>

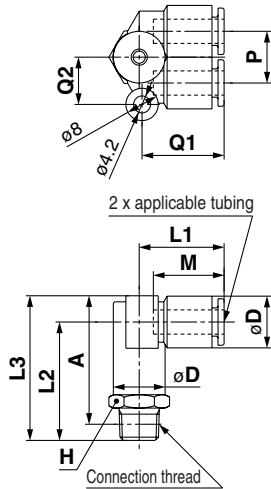


Applicable tubing O.D. (mm)	Connection thread M R	Model	H (width across flats)	Note) ϕD	L1	L2	L3	A*	M	P	Q1	Q2	Effective area (mm ²)		Mass (g)	
													Nylon	Urethane		
4	M5 x 0.8	KGLU04-M5	11	10.4	18.5	24	29.5	25.5	16	10.4	18.5	10	4.3	4.1	10	
	1/8	KGLU04-01											6.0	4.1	12	
	1/4	KGLU04-02	14										30	35.5	30	21
6	M5 x 0.8	KGLU06-M5	13	12.8	21	26.5	33	29.5	17	12.8	20.5	12	4.3	4.3	13	
	1/8	KGLU06-01											28.6	35.1	32	15
	1/4	KGLU06-02	14										32.5	39	33.5	22
	3/8	KGLU06-03	17										33.9	40.4	35	35
8	1/8	KGLU08-01	17	15.2	24	36.5	44	38.5	18.5	15.2	24.5	14	26.3	18.2	27	
	1/4	KGLU08-02											36.9	44.4	39	35
	3/8	KGLU08-03											17	39.5	49	43.5
10	1/4	KGLU10-02	19	18.5	27	39.9	49.4	44	21	18.5	28	16	40.8	29.0	42	
	3/8	KGLU10-03											43.6	53.1	45.5	64
	1/2	KGLU10-04											22	42	52.5	47
12	3/8	KGLU12-03	22	20.9	29	42.4	52.9	47.5	22	20.9	30	18	57.2	45.2	58	
	1/2	KGLU12-04											45.6	56.1	49	65

* Reference dimensions after R thread installation.
Note) ϕD : Max. diameter

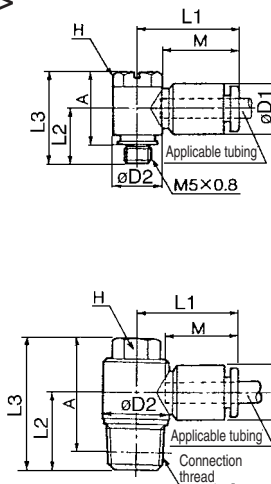


<R>



Universal Male Elbow: KGV

<M5>



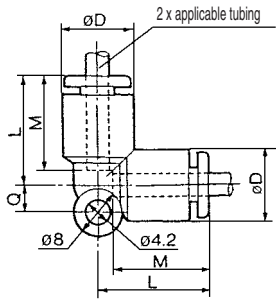
Applicable tubing O.D. (mm)	Connection thread M R	Model	H (width across flats)	Note) $\phi D1$	$\phi D2$	L1	L2	L3	A*	M	Effective area (mm ²)		Mass (g)
											Nylon	Urethane	
4	M5 x 0.8	KGV04-M5	8	10.4	9.8	20.5	11	18.5	15	16	2.9	2.9	6
	1/8	KGV04-01									13.4	22	13.6
6	M5 x 0.8	KGV06-M5	8	12.8	13.4	24	13.6	25.6	22.5	17	3.8	3.8	7
	1/8	KGV06-01									7.5	5.9	15
	1/4	KGV06-02	10								15.3	23.5	18
8	1/8	KGV08-01	12	15.2	17.6	28.5	14.6	27.6	24.5	18.5	16	11.2	24
	1/4	KGV08-02									18	31	25.5
	3/8	KGV08-03	14								20.6	27.5	19.4
10	1/4	KGV10-02	14	18.5	20.6	31	19	35	29.5	21	27	20.3	40
	3/8	KGV10-03									19.4	35.4	30
12	3/8	KGV12-03	17	20.9	25.2	34	20.9	37.4	32	22	39	30.8	63
	1/2	KGV12-04									24.1	40.6	33.5

* Reference dimensions after R thread installation.
Note) $\phi D1$: Max. diameter





Union Elbow: KGL

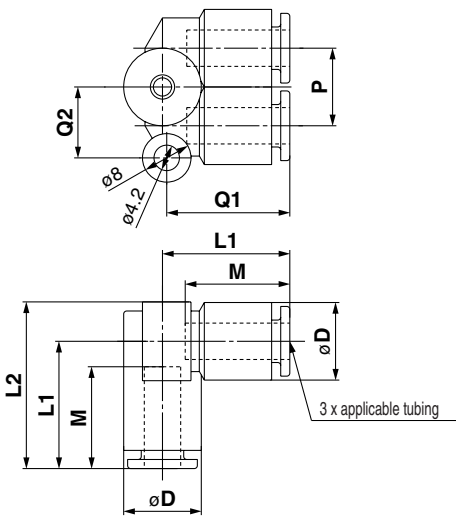


Applicable tubing O.D. (mm)	Model	øD ⁽¹⁾	L	Q	M2	Effective area ⁽²⁾ (mm ²)		Mass (g)
						Nylon	Urethane	
4	KGL04-00	10.4	18	4.5	16	4.2	4.2	6
6	KGL06-00	12.8	20	5.3	17	11.4	9.0	6
8	KGL08-00	15.2	23	6	18.5	21.6	14.9	10
10	KGL10-00	18.2	26.5	6.8	21	35.2	25.0	17
12	KGL12-00	20.9	28.5	7.5	22	50.2	39.7	21
16	KGL16-00	26.5	34	10	25	100	(84)	29

Note 1) øD: Max. diameter
Note 2) (): Values for soft nylon.

- K
- M
- H
- KK
- D
- MS
- LQ
- MQR
- T

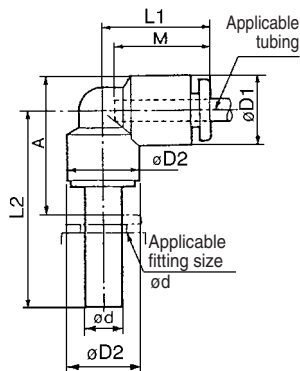
Branch Union Elbow: KGLU



Applicable tubing O.D. (mm)	Model	Note) øD	L1	L2	Q1	Q2	M	P	Effective area (mm ²)		Mass (g)
									Nylon	Urethane	
4	KGLU04-00	10.4	18.5	24	18.5	10	16	10.4	6.0	4.1	6
6	KGLU06-00	12.8	21	27.5	20.5	12	17	12.8	13.9	11.0	8
8	KGLU08-00	15.2	24	32	24.5	14	18.5	15.2	26.3	18.2	15
10	KGLU10-00	18.5	27	36.5	28	16	21	18.5	40.8	29.0	25
12	KGLU12-00	20.9	29	40	30	18	22	20.9	57.2	45.2	32

Note) øD: Max. diameter

Plug-in Elbow: KGL



Applicable tube O.D. mm	Applicable fitting size ød	Model	Note) øD1	øD2	L1	L2	A	M	Effective area (mm ²)		Mass (g)
									Nylon	Urethane	
4	4	KGL04-99	10.4	8	18	25	14.5	16	4.2	4.2	8
6	6	KGL06-99	12.8	10	20	27.5	17	17	11.4	9.0	10
8	8	KGL08-99	15.2	12	22.5	31.5	21	18.5	21.6	14.9	14
10	10	KGL10-99	18.5	14	25.5	35.5	23.5	21	35.2	25.0	25
12	12	KGL12-99	20.9	16	27	37.5	26	22	50.2	39.7	28

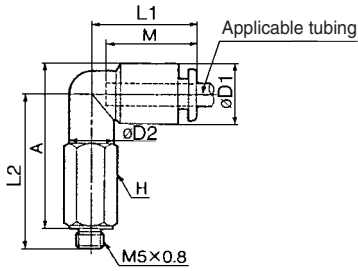
Note) øD1: Max. diameter

Series KG

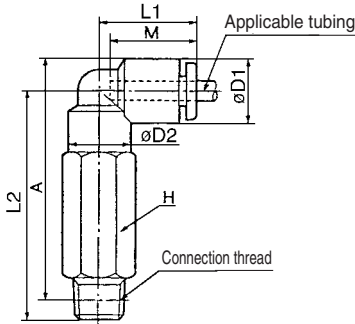


Extended Male Elbow: KGW

<M5>

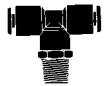


<R>



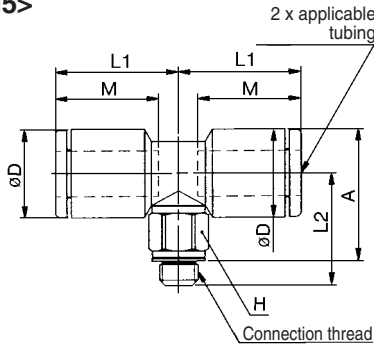
Applicable tubing O.D. (mm)	Connection thread M R	Model	H (width across flats)	Note)		L1	L2	A*	M	Effective area (mm ²)		Mass (g)			
				øD1	øD2					Nylon	Urethane				
4	M5x0.8	KGW04-M5	8	10.4	8	18	30	32	16	3.0	3.0	11			
	1/8	KGW04-01	10										36.6	38.5	23
	1/4	KGW04-02	14										43	42.5	38
6	M5x0.8	KGW06-M5	8	12.8	8	20	30.5	33.5	17	3.0	3.0	11			
	1/8	KGW06-01	10										39.1	42.5	26
	1/4	KGW06-02	14										45.5	46.5	41
	3/8	KGW06-03	17										46.9	48	67
8	1/8	KGW08-01	12	15.2	12	23	42.6	47	18.5	20.5	14.2	30			
	1/4	KGW08-02	14										49	51	47
	3/8	KGW08-03	17										50.4	52.5	74
10	1/4	KGW10-02	17	18.5	17	26.5	56	59.5	21	33.5	23.8	66			
	3/8	KGW10-03	17										57.4	61	76
	1/2	KGW10-04	22										64.1	66	145
12	1/4	KGW12-02	17	20.9	17	28.5	57	62	22	47.7	37.7	68			
	3/8	KGW12-03	17										58.4	63.5	78
	1/2	KGW12-04	22										65.1	68.5	147

* Reference dimensions after R thread installation.
Note) øD1: Max. diameter

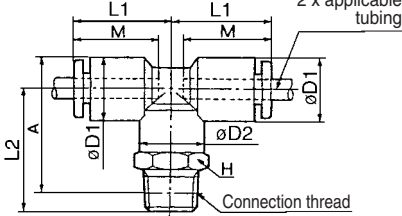


Male Branch Tee: KGT

<M5>



<R>

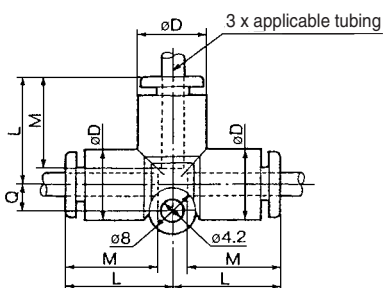


Applicable tubing O.D. (mm)	Connection thread M R	Model	H (width across flats)	Note 1)		L1	L2	A*	M	Effective area (2)		Mass (g)			
				øD1	øD2					Nylon	Urethane				
4	M5x0.8	KGT04-M5	7	9.3	—	15.6	13.7	15.3	12.7	4.3	4.3	3.5			
	1/8	KGT04-01	10										21.1	23	13
	1/4	KGT04-02	14										25.5	25	19
6	M5x0.8	KGT06-M5	7	11.6	—	16.1	14.7	17.4	13.5	4.3	4.3	4.2			
	1/8	KGT06-01	10										22.1	25.5	12
	1/4	KGT06-02	14										26.5	27.5	20
	3/8	KGT06-03	17										27.9	29	34
8	1/8	KGT08-01	12	15.2	12	23	23.6	28	18.5	26.3	18.2	14			
	1/4	KGT08-02	14										28	30	22
	3/8	KGT08-03	17										29.4	31.5	36
10	1/8	KGT10-01	17	18.5	17	26.5	26.1	32	21	40.8	29.0	31			
	1/4	KGT10-02	17										29.5	33	29
	3/8	KGT10-03	17										30.9	34.5	39
	1/2	KGT10-04	22										35.1	37	66
12	1/4	KGT12-02	17	20.9	17	28.5	30.5	35.5	22	57.2	45.2	31			
	3/8	KGT12-03	17										31.9	37	41
	1/2	KGT12-04	22										36.1	39.5	68
16	3/8	KGT16-03	22	26.5	20.9	34	36.9	44.5	25	71	(71)	112			
	1/2	KGT16-04	22										39.6	46	116

* Reference dimensions after R thread installation.
Note 1) øD1: Max. diameter
Note 2) (): Values for soft nylon



Union Tee: KGT

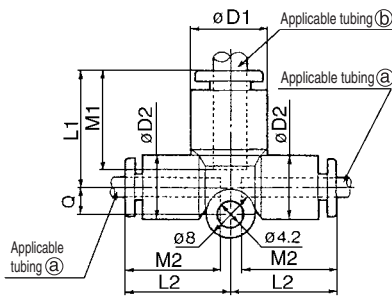


Applicable tubing O.D. (mm)	Model	Note 1)		M	Effective area (2)		Mass (g)
		øD	L		Q	Nylon	
4	KGT04-00	10.4	18	4.5	6.4	4.4	7
6	KGT06-00	12.8	20	5.3	13.4	10.6	10
8	KGT08-00	15.2	23	6	18.5	17.7	15
10	KGT10-00	18.5	26.5	6.8	40	28.4	25
12	KGT12-00	20.9	28.5	7.5	57.4	45.4	29
16	KGT16-00	26.5	34	10	25	100	40

Note 1) øD: Max. diameter
Note 2) (): Values for soft nylon.



Different Diameter Tee: KGT

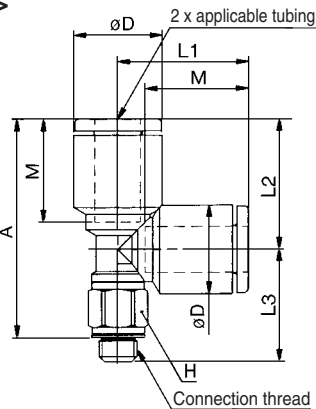


Applicable tubing O.D. (mm)		Model	Note) øD1		L1	L2	Q	M1	M2	Effective area (mm ²)		Mass (g)
(a)	(b)		øD1	øD2						Nylon	Urethane	
4	6	KGT04-06	12.8	10.4	19.5	18	4.5	17	16	7.1	6.5	5
6	8	KGT06-08	15.2	12.8	22.5	20	5.3	18.5	17	16.4	16.4	8
8	10	KGT08-10	18.5	15.2	26.5	23	6	21	18.5	36	27.2	14
10	12	KGT10-12	20.9	18.5	28.5	26.5	6.8	22	21	56	44.5	21

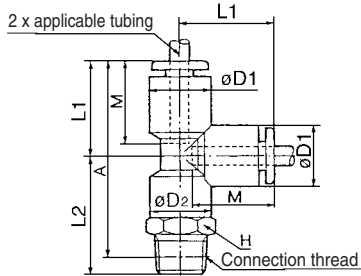
Note) øD1: Max. diameter

Male Run Tee: KGY

<M5>



<R>



Applicable tubing O.D. (mm)	Connection thread M R	Model	H (width across flats)	Note 1) øD		L1	L2	L3	A*	M	Effective area (mm ²)		Mass (g)
				øD1	øD2						Nylon	Urethane	
4	M5 x 0.8	KGY04-M5	7	9.3	—	15.6	13.7	13.7	25.4	12.7	4.6	4.6	3.5
	1/8	KGY04-01	10	10.4	10	18	21.1	—	36	16	6.4	4.4	13
	1/4	KGY04-02	14	—	—	—	25.5	—	38	—	—	—	19
6	M5 x 0.8	KGY06-M5	7	11.6	—	17.1	14.7	17.1	28.7	13.5	4.6	4.6	4.3
	1/8	KGY06-01	10	12.8	10	20	22.1	—	39	17	13.4	10.6	12
	1/4	KGY06-02	14	—	—	—	26.5	—	41	—	—	—	20
	3/8	KGY06-03	17	—	—	—	27.9	—	42.5	—	—	—	34
8	1/8	KGY08-01	12	—	—	—	23.6	—	43.5	17	13.4	10.6	14
	1/4	KGY08-02	14	15.2	12	23	28	—	45.5	18.5	25.6	17.7	22
	3/8	KGY08-03	17	—	—	—	29.4	—	47	—	—	—	36
10	1/8	KGY10-01	17	—	—	—	26.1	—	49.5	—	—	—	31
	1/4	KGY10-02	17	18.5	17	26.5	29.5	—	50.5	21	40.0	28.4	29
	3/8	KGY10-03	17	—	—	—	30.9	—	52	—	—	—	39
	1/2	KGY10-04	22	—	—	—	35.1	—	54.5	—	—	—	66
12	1/4	KGY12-02	17	—	—	—	30.5	—	53.5	—	—	—	31
	3/8	KGY12-03	17	20.9	17	28.5	31.9	—	55	22	57.4	45.4	41
	1/2	KGY12-04	22	—	—	—	36.1	—	57.5	—	—	—	68
16	3/8	KGY16-03	22	26.5	20.9	34	36.9	—	65.5	25	81	(81)	112
	1/2	KGY16-04	22	—	—	—	40.1	—	67	—	113	(113)	116

* Reference dimensions after R thread installation.

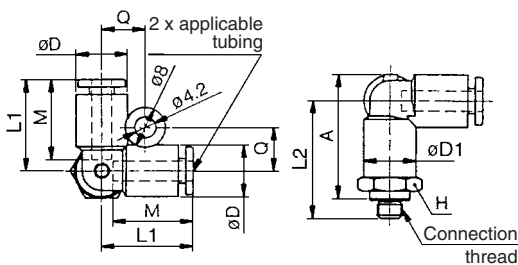
Note 1) øD1: Max. diameter

Note 2) (): Values for soft nylon.

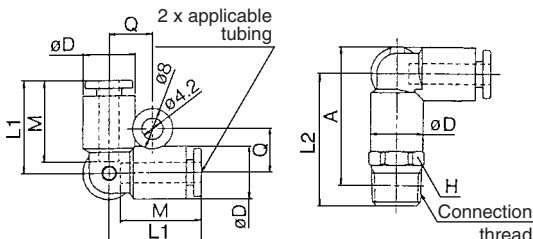


Male Delta Union: KGD

<M5>



<R>



Applicable tubing O.D. (mm)	Connection thread M R	Model	H (width across flats)	Note) øD	L1	L2	A*	M	Q	Effective area (mm ²)		Mass (g)	
										Nylon	Urethane		
4	M5 x 0.8	KGD04-M5	11	10.4	18.5	24	25.5	—	—	—	4.3	4.3	10
	1/8	KGD04-01	14	—	—	25.6	27.5	16	8.7	—	6.0	6.0	12
	1/4	KGD04-02	14	—	—	30	30	—	—	—	—	—	21
6	M5 x 0.8	KGD06-M5	13	12.8	20.5	26	28.5	—	—	—	4.3	4.3	12
	1/8	KGD06-01	14	—	—	28.1	31.5	17	9.9	—	13.9	11.0	14
	1/4	KGD06-02	14	—	—	32	33	—	—	—	—	—	21
	3/8	KGD06-03	17	—	—	33.4	34.5	—	—	—	—	—	34
8	1/8	KGD08-01	17	15.2	23.5	32.6	37	—	—	—	—	—	26
	1/4	KGD08-02	17	—	—	36	38	18.5	11.1	—	26.3	18.2	35
	3/8	KGD08-03	17	—	—	36.4	38.5	—	—	—	—	—	39
10	1/4	KGD10-02	19	18.5	26.5	39	43	—	—	—	—	—	40
	3/8	KGD10-03	19	—	—	39.4	43.5	21	12.8	—	40.8	29.0	40
	1/2	KGD10-04	22	—	—	43.1	45	—	—	—	—	—	62
12	1/4	KGD12-02	22	20.9	28.5	41.5	46.5	—	—	—	—	—	55
	3/8	KGD12-03	22	—	—	41.9	47	22	13.9	—	57.2	45.2	56
	1/2	KGD12-04	22	—	—	45.1	48.5	—	—	—	—	—	63

* Reference dimensions after R thread installation.

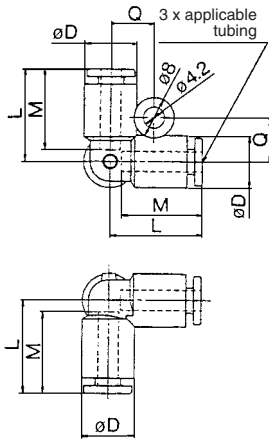
Note) øD: Max. diameter



Series KG



Delta Union: KGD



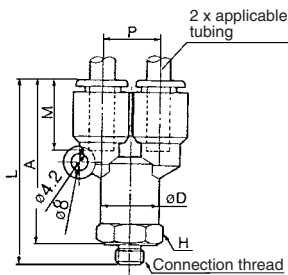
Applicable tubing O.D. (mm)	Model	Note) øD	L	Q	M	Effective area (mm ²)		Mass (g)
						Nylon	Urethane	
4	KGD04-00	10.4	18.5	8.7	16	6.0	4.1	5
6	KGD06-00	12.8	20.5	9.9	17	13.9	11.0	7
8	KGD08-00	15.2	23.5	11.1	18.5	26.3	18.2	11
10	KGD10-00	18.5	26.5	12.8	21	40.8	29.0	19
12	KGD12-00	20.9	28.5	13.9	22	57.2	45.2	24



Note) øD: Max. diameter

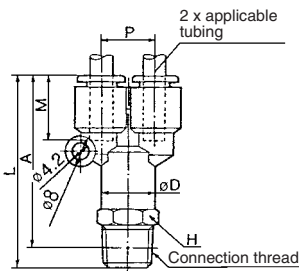
Branch "Y": KGU

<M5>



Applicable tubing O.D. (mm)	Connection thread M R	Model	H (width across flats)	øD	L	P	A*	M	Effective area (mm ²)		Mass (g)	
									Nylon	Urethane		
4	M5 x 0.8	KGU04-M5	11	10.4	39.5	10.4	36	16	2.2	2.2	4	
	1/8	KGU04-01							4.2	4.2	11	
	1/4	KGU04-02							14	45.5	40	20
6	M5 x 0.8	KGU06-M5	13	12.8	42.5	12.8	39	17	2.2	2.2	12	
	1/8	KGU06-01							11			
	1/4	KGU06-02							14	44.6	43	21
	3/8	KGU06-03							17	48.5	44.5	34
8	1/8	KGU08-01	17	15.2	51.6	15.2	48.5	18.5	25.6	17.7	15	
	1/4	KGU08-02									23	
	3/8	KGU08-03									17	55.4
10	1/4	KGU10-02	19	18.5	60.5	18.5	55	21	40	28.4	30	
	3/8	KGU10-03									40	
	1/2	KGU10-04									22	60.9
12	1/4	KGU12-02	22	20.9	64	20.9	58.5	22	57.4	45.4	32	
	3/8	KGU12-03									40	
	1/2	KGU12-04									22	64.1

<R>

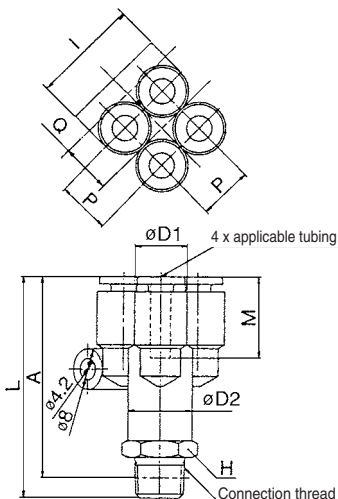


* Reference dimensions after R thread installation.

Note) øD: Max. diameter



Delta Branch: KGUD



Applicable tubing O.D. (mm)	Connection thread R thread	Model	H (width across flats)	Note) øD		L	I	A*	Q	M	P	Effective area (mm ²)		Mass (g)
				øD1	øD2							Nylon	Urethane	
4	1/8	KGUD04-01	13	10.4	12.8	42.6	21	39.5	9.7	16	10.4	4.2	4.2	17
	1/4	KGUD04-02	14											46.5
6	1/8	KGUD06-01	17	12.8	15.2	49.6	26	46.5	11.7	17	12.8	13.4	10.6	29
	1/4	KGUD06-02												17

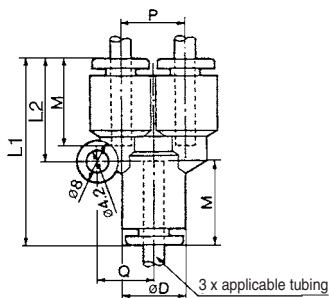
* Reference dimensions after R thread installation.

Note) øD1: Max. diameter





Union "Y": KGU



Applicable tubing O.D. (mm)	Model	Note)		L1	L2	P	Q	M	Effective area (mm ²)		Mass (g)
		ØD							Nylon	Urethane	
4	KGU04-00	10.4	34	18	10.4	9.7	16	4.2	4.2	7	
6	KGU06-00	12.8	37	20	12.8	11.7	17	13.4	10.6	9	
8	KGU08-00	15.2	42.5	24.5	15.2	13.7	18.5	25.6	17.7	11	
10	KGU10-00	18.5	48	27.5	18.5	16.1	21	40	28.4	16	
12	KGU12-00	20.9	51	30	20.9	18.1	22	57.4	45.4	23	

Note) ØD: Max. diameter

K □

M □

H □

KK

D □

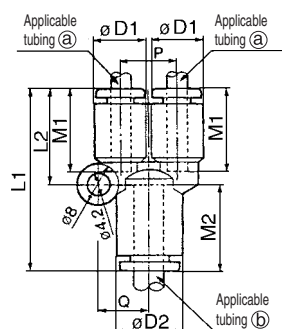
MS

LQ

MQR

T □

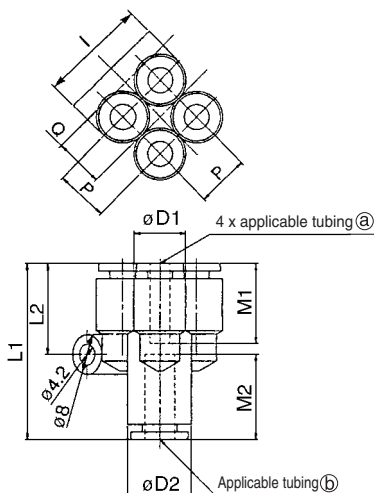
Different Diameter Union "Y": KGU



Applicable tubing O.D. (mm)		Model	Note)		L1	L2	P	Q	M1	M2	Effective area (mm ²)		Mass (g)
a	b		ØD1	ØD2							Nylon	Urethane	
4	6	KGU04-06	10.4	12.8	35	18	10.4	9.7	16	17	4.2	4.2	6
6	8	KGU06-08	12.8	15.2	39.5	20	12.8	11.7	17	18.5	13.4	10.6	11
8	10	KGU08-10	15.2	18.5	45	24.5	15.2	13.7	18.5	21	25.6	17.7	18
10	12	KGU10-12	18.5	20.9	49	27.5	18.5	16.1	21	22	40	28.4	27

Note) ØD1, ØD2: Max. diameter

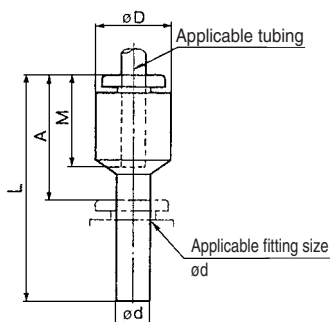
Different Diameter Double Union "Y": KGUD



Applicable tubing O.D. (mm)		Model	Note)		L1	L2	P	I	Q	M1	M2	Effective area (mm ²)		Mass (g)
a	b		ØD1	ØD2								Nylon	Urethane	
4	6	KGUD04-06	10.4	12.8	35.5	18.2	10.4	21	9.7	16	17	4.2	4.2	10
6	8	KGUD06-08	12.8	15.2	40.5	20.3	12.8	26	11.7	17	18.5	13.4	10.6	17

Note) ØD1, ØD2: Max. diameter

Plug-in Reducer: KGR



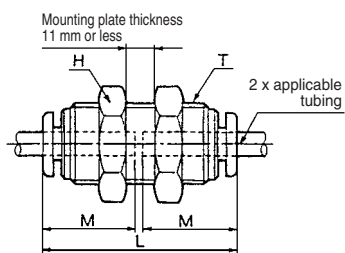
Applicable tubing O.D. (mm)	Applicable fitting size ød	Model	ØD ⁽¹⁾	L	A	M	Effective area ⁽²⁾ (mm ²)		Mass (g)
							Nylon	Urethane	
4	6	KGR04-06	10.4	34.5	17.5	16	5.6	4	1.8
	8	KGR04-08		36.5	18				2.0
	10	KGR04-10	12.8	39.5	18.5				3.3
6	4	KGR06-04	12.8	37	21	17	13.1	10.4	3
	8	KGR06-08		37	18.5				2.5
	10	KGR06-10		39.5					3
	12	KGR06-12		15.2	42				20
8	10	KGR08-10	15.2	41	20	18.5	26.1	18.0	4.0
	12	KGR08-12		42					4.6
10	12	KGR10-12	18.5	44.5	23	21	41.5	32.8	33
	16	KGR10-16	20.9	50.5	25.5				(29.5)
12	16	KGR12-16	20.9	50.5	25.5	22	58.3	(46.1)	37

Note 1) ØD: Max. diameter
Note 2) (): Values for soft nylon.

Series KG



Bulkhead Union: KGE

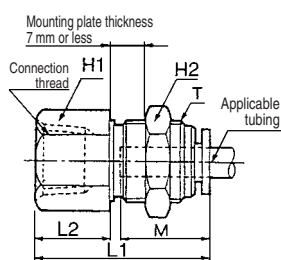


Applicable tubing O.D. (mm)	Model	T(M)	H (width across flats)	L	Mounting hole	M	Effective area (mm ²) ^{Note)}		Mass (g)
							Nylon	Urethane	
4	KGE04-00	M12 x 1	14	32.5	13	16	5.6	4	26
6	KGE06-00	M14 x 1	17	34.5	15	17	13.1	10.4	33
8	KGE08-00	M16 x 1	19	38	17	18.5	26.1	18.0	52
10	KGE10-00	M20 x 1	24	42.5	21	21	41.5	29.5	70
12	KGE12-00	M22 x 1	27	44	23	22	58.3	46.1	90
16	KGE16-00	M28 x 1.5	32	51	29	25	113	(96)	115

Note) (): Values for soft nylon.



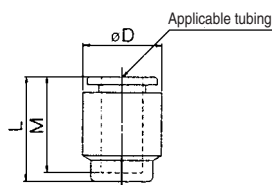
Bulkhead Connector: KGE



Applicable tubing O.D. (mm)	Connection thread Rc thread	Model	T(M)	H1 (width across flats)	H2 (width across flats)	L1	L2	Mounting hole	M	Effective area (mm ²) ^{Note)}		Mass (g)
										Nylon	Urethane	
4	1/8	KGE04-01	M12 x 1	14	14	27.5	11	13	16	5.6	4	16
	1/4	KGE04-02		17		31	15					35
6	1/8	KGE06-01	M14 x 1	17	17	28	11	15	17	13.1	10.4	30
	1/4	KGE06-02				31.5	15					29
	3/8	KGE06-03				19	33.5					17
8	1/8	KGE08-01	M16 x 1	17	19	27.5	7.5	17	18.5	26.1	18.0	28
	1/4	KGE08-02				33	13					27
	3/8	KGE08-03				19	35					15
10	1/4	KGE10-02	M20 x 1	22	24	34.5	12.5	21	21	41.5	29.5	53
	3/8	KGE10-03				36.5	14					67
	3/8	KGE10-03				19	37					14
12	1/2	KGE12-04	M22 x 1	24	27	41	18	23	22	58.3	46.1	59
	3/8	KGE12-03				19	41					18
16	3/8	KGE16-03	M28 x 1.5	30	32	40	14	29	25	96	(96)	127
	1/2	KGE16-04				44	18					113

Note) (): Values for soft nylon.

Tube Cap: KGC



Applicable tubing O.D. (mm)	Model	Note) øD	L	M	Mass (g)
4	KGC04-00	10.4	17	16	3
6	KGC06-00	12.8	18.5	17	3
8	KGC08-00	15.2	20.5	18.5	4
10	KGC10-00	18.5	23	21	6
12	KGC12-00	20.9	24	22	8
16	KGC16-00	26.5	28	25	13

Note) øD: Max. diameter



Please contact SMC for detailed dimensions, specifications, and delivery.

1 Grease-free Specifications

Symbol	Specifications
X17	Grease-free Rubber material: NBR (With fluorine coating) Release button color: Light blue
X39	Grease-free Rubber material: NBR (With fluorine coating) Release button color: Light blue Clean (Copper-free, air blow, double package)
X94	Grease-free Rubber material: FKM (With fluorine coating) Release button color: Light blue

Suffix "-X17" to the end of part number.

Example) **KGH06-01-X17**

2 Other Specifications

Symbol	Specifications
X12	Lubricant: White Vaseline Release button color: White
X34	Rubber material: FKM

K

M

H

KK

D

MS

LQ

MQR

T

Spare Parts

Description	Part no.	Applicable thread	Applicable model
Gasket	M-5G2	M5	—
Pipe nut	KG04-P01	—	KGE04-00, KGE04-01, KGE04-02
	KG06-P01	—	KGE06-00, KGE06-01 KGE06-02, KGE06-03
	KG08-P01	—	KGE08-00, KGE08-01 KGE08-02, KGE08-03
	KG10-P01	—	KGE10-00, KGE10-02, KGE10-03
	KG12-P01	—	KGE12-00, KGE12-03, KGE12-04
	KG16-P01	—	KGE16-00, KGE16-03, KGE16-04