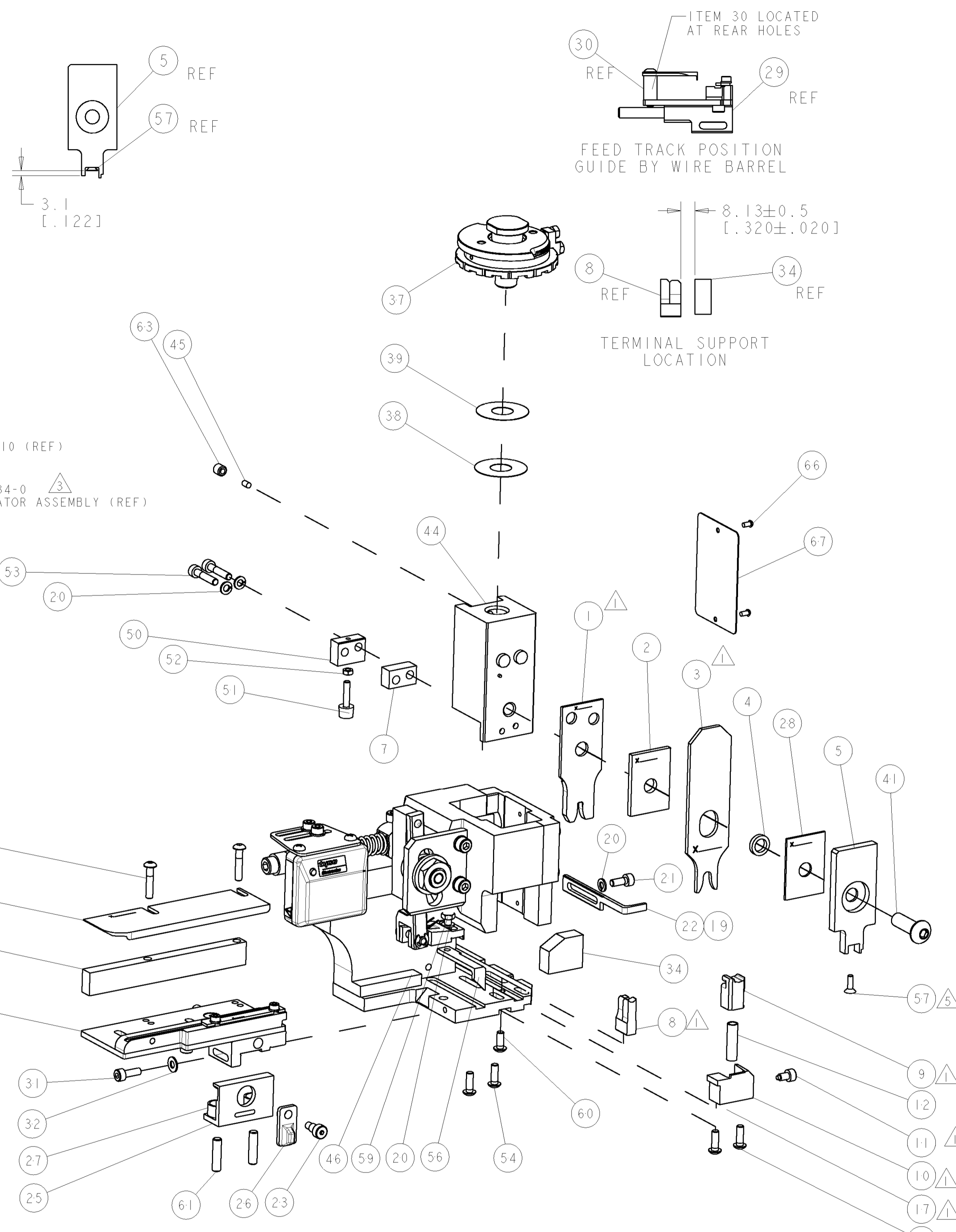
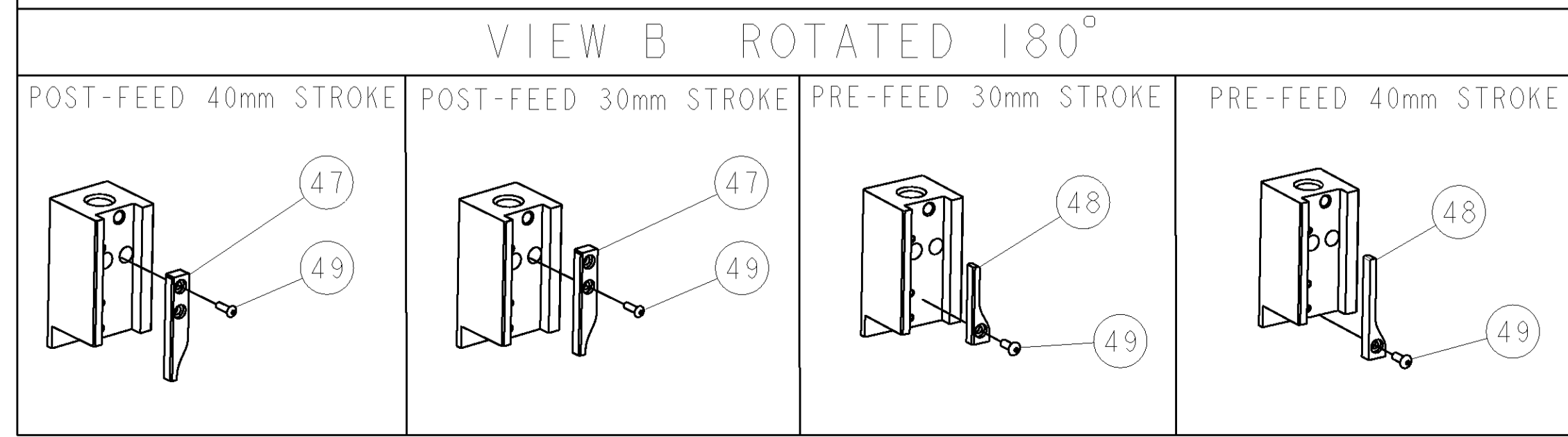


PART NUMBER	REV	TERMINATOR	FEED TYPE	DESCRIPTION
1528609-1	A	LEADMAKER	MECH POST FEED	CUTS CARRIER
1528609-2	A	BENCH	MECH PRE FEED	CUTS CARRIER
1528609-6	A	LEADMAKER	MECH POST FEED	CONTINUOUS CARRIER
7-1528609-1	A	LEADMAKER	MECH POST FEED	-1 AND SPARE PARTS
7-1528609-2	A	BENCH	MECH PRE FEED	-2 AND SPARE PARTS
7-1528609-6	A	LEADMAKER	MECH POST FEED	-6 AND SPARE PARTS
7-1528609-7	A	-	-	SPARE PARTS KIT

CRIMP DATA		KOSTAL TERMINAL		KOSTAL CRIMP SPEC	
TERMINAL NAME: SLK 2.8 RECEPTACLE					
CRIMP	SIZE	TYPE	RANGE		
WIRE	3.30 [1.130 IN]	F	4.00mm ²		
INSUL	5.59 [1.220 IN]	0	5.20 MAX [1.205 IN MAX]		
WIRE STRIP LENGTH		APPL INSTRUCTIONS			
5.00-5.60 [1.197-.220 IN]		408-8322 & 408-8490			
TERMINAL APPL SPEC			KOSTAL DATA SHT SLK2.8		FEED
-			-		21.00 [1.827 IN]
TERMINALS APPLIED					
TYCO TERM PN	TYCO SEAL PN	MANUF TERM PN	MANUF SEAL PN		
1572921-1	1572926-1	2 21 40 58312 0	10800583130		
1572921-2	1572926-2	2 21 24 58312 0	10800583140		
-	1572957-1	-	10800583400		
WIRE SIZE	CRIMP HEIGHT	REF SETTING			
4.00mm ²	2.05 ±0.05 [1.081 ±.002 IN]	D7			

- △ RECOMMENDED SPARE PARTS
- 2. GREASE RAM, CAM, CAM FOLLOWER AND FEED ROD LIGHTLY
- ③ CERTAIN TERMINALS REQUIRE LUBRICATION. REFER TO THE APPLICATOR INSTRUCTION SHEET FOR MORE INFORMATION.
- ④ THIS APPLICATOR APPLIES TERMINAL WITH A SEAL. INSULATION DIA QUOTED IS OUTSIDE DIAMETER OF SEAL. WIRE INSULATION DIA IS DEPENDENT ON SEAL BEING APPLIED. SEAL PN 1572926-1 & -2 INS. DIA RANGE IS 2.7-3.6 (FLRY).
- ⑤ APPLY TORQ-SEAL IN ALLEN SOCKET TO FILL HOLE AFTER FLAT HD HAS BEEN ADJUSTED TO CORRECT HEIGHT AT QUALIFICATION. APPLY #1-23419-5 LOC-TITE TO THREADS.
- ⑥ ALL CRIMP DATA SUPPLIED BY TERMINAL MANUFACTURER.

*** WARNING**
ON INSTALLATION, SET WIRE DISC TO LARGEST WIRE SIZE SETTING. USE OF SETTINGS BELOW MIN. REQUIRED CRIMP HEIGHT SETTING WILL CAUSE DAMAGE TO CRIMP TOOLING.



ITEM NO	DESCRIPTION	ITEM NO	DESCRIPTION						
83									
82									
81									
80									
79									
78									
77									
76									
75									
74									
-77	-76	-72	-71	-6	-2	-1	PART NO	DESCRIPTION	ITEM NO

SET UP GAGE
458637-3

LOC	DIST	REV	DATE	BY	APPD
A	66		28FEB2006	MC	MC

ITEM NO	DESCRIPTION	ITEM NO	DESCRIPTION
73			
72			
71	1338705-3 DOCUMENTATION PACKAGE		
70			
69			
68			
67	461264-5 PLATE, IDENTIFICATION		
66	21017-2 SCREW, DRIVE		
65			
64			
63	3-18031-0 SCR, SET, CUP POINT M6 X 6.0		
62			
61	2-18032-5 SCR, SET, FLT POINT M5 X 20.0		
60	18024-7 SCR, BTN SKT HD CAP (M4 X 10.0)		
59	5-18022-2 SCR, HEX HD CAP M4 X 8.0		
58			
57	985575-3 SCR, FLT SKT HD CAP M3 X 10.0		
56	1338685-1 PAWL, FEED		
55			
54	18024-8 SCR, BTN SKT HD CAP (M4 X 12.0)		
53	1-18023-4 SCR, SKT HD CAP M4 X 20.0		
52	18030-1 NUT, HEX, REG M3		
51	811242-5 BUMPER, HOLD DOWN		
50	690753-2 SPACER, TONKER		
49	18024-3 SCR, BTN SKT HD CAP (M3 X 10.0)		
48	1338675-1 CAM, UNIVERSAL PRE FEED		
47	1338676-1 CAM, UNIVERSAL POST-FEED		
46	1320999-3 APPLICATOR SUBASSEMBLY, HDI		
45	690191-1 PLUG, NYLON		
44	1333257-1 RAM		
43			
42			
41	2-18024-6 SCR, BTN SKT HD CAP (M8 X 25.0)		
40			
39	690125-1 SHIM SUB-ASSY		
38	469367-1 SHIM		
37	879103-2 DISC, ADJUSTABLE GEITNER		
36			
35			
34	1-1320934-7 SUPPORT, TERMINAL		
33	1-18024-0 SCR, BTN SKT HD CAP (M4 X 20.0)		
32	18027-2 WASHER, FLAT, REG M4		
31	1-18023-2 SCR, SKT HD CAP M4 X 12.0		
30	1320908-3 SPACER, STRIP GUIDE		
29	1633073-2 STRIP GUIDE ASSEMBLY		
28	1-455888-0 SPACER, CRIMPER		
27	1-22284-0 SPRING, COMPRESSION		
26	356835-1 LEVER, DRAG RELEASE		
25	240792-1 DRAG, TERMINAL		
24	1320928-1 PLATE, STRIP GUIDE		
23	980371-4 SCR, SKT HD SHLDR 5.0 DIA X 6.0		
22	690472-2 STRIPPER		
21	1-18023-1 SCR, SKT HD CAP M4 X 10.0		
20	18025-2 WASHER, SPRG LOCK, REG M4		
19	690472-1 STRIPPER		
18			
17	1338684-2 HOLDER, SHEAR, NO-CUT		
16			
15			
14			
13			
12	3-22280-3 SPRING, COMPRESSION		
11	356885-5 STOP, SHEAR		
10	1-1320921-0 SHEAR HOLDER, FRONT, CUT		
9	318707-1 FLOATING SHEAR, FRONT		
8	1633136-3 ANVIL, COMBINATION .130		
7	7-240641-2 SPACER		
6			
5	1338680-5 DEPRESSOR, SHEAR		
4	238011-4 BLOCK, CRIMPER SPACER		
3	6-1583690-4 CRIMPER, INSUL 0		
2	2-455888-7 SPACER, CRIMPER		
1	3-458141-3 CRIMPER, WIRE PREMIUM		

DIMENSIONS: mm [IN]	TOLERANCES UNLESS OTHERWISE SPECIFIED: 0 PLC ± 1 PLC ± 2 PLC ± 3 PLC ± 4 PLC ± ANGLES ±	DWG: 28-Feb-06 CHK: L LOFTHOUSE APVD: M CLIFFORD PRODUCT SPEC: 28-Feb-06 APPLICATION SPEC: See Table MATERIAL: - FINISH: -	tyco Tyco Electronics Harrisburg, PA 17105-3608 FINE ADJUST SIDE FEED HDI APPLICATOR SIZE: A1 CAGE CODE: 00779 DRAWING NO: C-1528609 SCALE: 3:5 SHEET: 1 OF 1 REV: A
------------------------	---	--	---