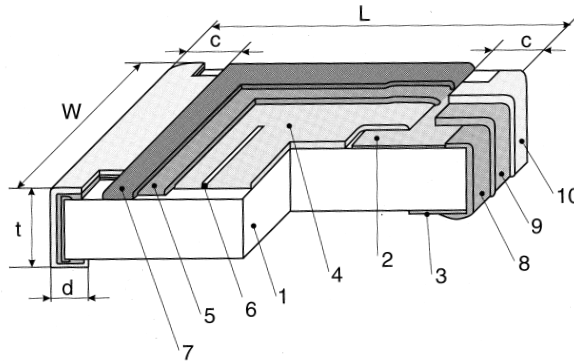
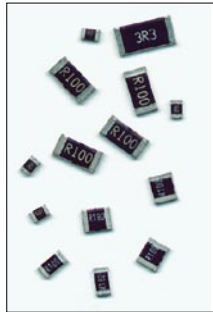


**THICK FILM
CURRENT SENSING CHIP
SR73**



STRUCTURE

- 1 Ceramic substrate
- 2 Top termination (Ag Pd)
- 3 Bottom termination (Ag)
- 4 Resistive layer
- 5 Glass layer
- 6 Trimming cut
- 7 Protective layer
- 8 End termination
- 9 Diffusion barrier (Ni)
- 10 Solder plating



IDENTIFICATION

PRODUCT CODE	COATING COLOR	MARKING
SR73 1E	Indigo	None
SR73 1J (1%)		
SR73 1J (2%, 5%)		
SR73 2A...W3A (2%, 5%)		
SR73 2A...W3A (0.5%, 1%)		

Products with Pb-free terminations meet RoHS requirements

TYPE DESIGNATION (HOW TO ORDER)

SR73	2A	T	TD	R475	F
PRODUCT CODE	STYLE 1E...W3A	TERMINATION SURFACE MATERIAL T: Sn L: Sn/Pb (G: Au)	TAPING* *Please see "PACKAGING"	NOMINAL RESISTANCE D, F: 4 digits J, G: 3 digits	TOLERANCE D: ±0.5% F: ±1% G: ±2% J: ±5%

FEATURES

- RuO₂ thick film resistor element
- Anti-leaching nickel barrier terminations
- High reliability and performance with T.C.R. ±100 ppm/K and resistance tolerance ±1%
- Also available with gold plated electrodes in size 2A (0.1Ω...10Ω)
- Rated ambient temperature: + 70° C
- Operating temperature range: - 55° C ... + 150° C
- The most suitable current detecting resistor for power supply, motor circuits etc.
- Ideal for use in computers, HDD, cellular phones, motor circuits etc.
- Suitable for reflow and wave soldering
- Meets or exceeds IEC 60 115-8, JIS C 5201-8
- Lab Kit available

DIMENSIONS (mm)

SIZE	TYPE	L	W	c	d	t
0402	SR73 1E	1.0 ^{+0.1} _{-0.05}	0.5 ^{+0.1} _{-0.05}	0.25 ± 0.1	0.25 ± 0.1	0.35 ± 0.1
0603	SR73 1J	1.6 ± 0.2	0.8 ^{+0.15} _{-0.1}	0.35 ± 0.1	0.35 ± 0.1	0.45 ± 0.1
0805	SR73 2A	2.0 ± 0.2	1.25 ± 0.1	0.4 ± 0.2	0.3 ^{+0.2} _{-0.1}	0.5 ± 0.1
1206	SR73 2B	3.2 ± 0.2	1.6 ± 0.2	0.5 ± 0.3	0.4 ^{+0.2} _{-0.1}	0.6 ± 0.1
1210	SR73 2E		2.6 ± 0.2			
2010	SR73 W2H*	5.0 ± 0.2	2.5 ± 0.2	0.65 ± 0.15*		
2512	SR73 W3A*	6.3 ± 0.2	3.1 ± 0.2			

* SR73 2H and SR73 3A are also still available (different "d" dimensions = 0.4^{+0.2}_{-0.1} mm)

RATING

SIZE	TYPE	T.C.R. (ppm/K)	POWER*1 RATING	MAX. WORKING VOLTAGE	MAX. OVERLOAD VOLTAGE	RESISTANCE RANGE			
						D(±0.5%)E96·E24	F(±1%)E96·E24	G(±2%)E24	J(±5%)E24
0402	SR73 1E	± 200	0.125 W (0.166 W)*2	1.11 V	2.79 V	—	0.51 Ω ~ 10 Ω*3	0.51 Ω ~ 10 Ω	0.51 Ω ~ 10 Ω
		± 300				—	0.2 Ω ~ 0.47 Ω*3	0.2 Ω ~ 0.47 Ω	0.2 Ω ~ 0.47 Ω
		± 500				—	0.1 Ω ~ 0.18 Ω*3	0.1 Ω ~ 0.18 Ω	0.1 Ω ~ 0.18 Ω
0603	SR73 1J	± 200	0.2 W	1.41 V	3.53 V	—	0.1 Ω ~ 10 Ω	0.1 Ω ~ 10 Ω	0.1 Ω ~ 10 Ω
		± 100				0.15 Ω ~ 10 Ω	0.1 Ω ~ 10 Ω	—	
		± 200				—	—	—	
0805	SR73 2A	± 200	0.25 W (0.33 W)*2	1.58 V	3.95 V	—	—	0.1 Ω ~ 10 Ω	0.1 Ω ~ 10 Ω
		± 500				—	—	0.051 Ω ~ 0.091 Ω	
		± 800				—	—	0.030 Ω ~ 0.047 Ω	
1206	SR73 2B	± 100	0.33 W (0.5 W)*2	1.81 V	4.54 V	0.15 Ω ~ 10 Ω	0.1 Ω ~ 10 Ω	—	—
		± 200				—	—	0.1 Ω ~ 10 Ω	0.1 Ω ~ 10 Ω
		± 500				—	—	—	0.056 Ω ~ 0.091 Ω
1210	SR73 2E	± 800	0.5 W (0.66 W)*2	2.23 V	5.59 V	—	0.1 Ω ~ 10 Ω	—	—
		± 100				—	—	0.1 Ω ~ 10 Ω	0.047 Ω ~ 10 Ω
		± 200				—	—	—	0.036 Ω ~ 0.043 Ω
2010	SR73 W2H	± 500	0.75 W	2.73 V	6.84 V	—	—	—	—
		± 1000				—	—	—	0.024 Ω ~ 0.033 Ω
		± 100				—	—	0.1 Ω ~ 10 Ω	—
2512	SR73 W3A	± 200	1.0 W	3.16 V	7.90 V	—	—	0.1 Ω ~ 10 Ω	0.1 Ω ~ 10 Ω
		± 500				—	—	—	0.056 Ω ~ 0.091 Ω
		± 800				—	—	—	0.039 Ω ~ 0.051 Ω

*1: For resistors operated at an ambient temperature of +70°C or above, the power rating shall be derated.

*2: Please contact KOA if the part is used at marked, increased power.

*3: SR73 1E only in E24 values.

Rated voltage = √ Power rating x resistance value or max. working voltage, whichever is lower.