

**Ordering Table — Washable Rocker & Paddle Switches**

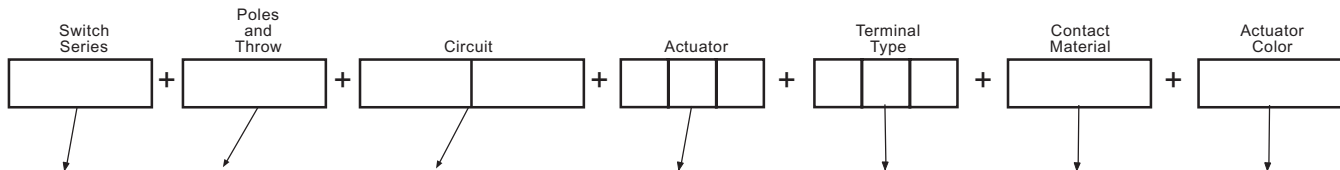
Designed to be wave soldered along with other Printed Circuit Board Components and withstand associated cleaning processes.

**HOW TO ORDER YOUR DESIGN** (Bold Face Type indicates items normally in Distributor Stock)

Following the table from left to right, the designer is able to specify the options wanted. The options are described and illustrated on the following pages.

To determine a part number select the options desired and fill in the boxes in the selection guides illustrated below.

**Washable Rocker/Paddle Switch Selection Guide**



Series		Poles and Throw		Circuits ③				Actuator Options		Terminal Options		Contact Material		Actuator Color	
Type	Code	No.	Code	Description			Code	Type	Code	Type	Code	Type	Code	Type	Code
Rocker	WR	SPDT	1			POS. "C"		Rocker ⑤ (Screw Mount)	J1	Right Angle PC	A	Gold/Brass	B	White	1
Paddle	WP	DPOT	2	ON	OFF	ON	21	Paddle ⑤ (Screw Mount)	J2	Vertical PC .150 Spacing	AV2	Gold/Silver	G	Black	2
				ON	NONE	ON	23	Rocker Actuator ⑥	J71	PC Terminals	C	Coin Silver	Q	Other ②	
				ON	NONE	ON*	26	Paddle Actuator ⑥	J72	PC & Support	V3	④	K		
				ON*	OFF	ON*	27	Rocker Actuator ⑥	J76	.750 Wire Wrap	W	④	L		
				ON	OFF	ON*	31	Paddle Actuator ⑥	J77	.964 Wire Wrap	W1	④	M		
				ON	ON	ON	32 ①			.425 Wire Wrap	W3				
				ON	ON	ON*	33 ①			1.062 Wire Wrap	W4				
				ON*	ON	ON*	35 ①			Solder Lug	Z				
										Quick Connect	Z3				

\*Momentary Contact.

- ① 2 Pole Only.
- ② Contact Electroswitch for availability.
- ③ Refer to page 59 for circuit diagram.
- ④ Same as B, G, and Q respectively except terminals brass with fine nickel alloy over nickel plate. Consult factory for availability.
- ⑤ Available with C, Z, Z3, W-W4 termination.
- ⑥ Available with A, AV2, V3, termination.

**EXAMPLES:**

- WR123J71AQ2** = SPDT rocker switch with an ON-NONE-ON circuit, J71 style rocker actuator (black), right angle P.C. terminals with coin silver contacts.
- WP227J2CG2** = DPDT paddle switch with an ON\*-OFF-ON\* circuit, J2 style paddle actuator (black), screw-in direct panel mounting frame, P.C. terminals with gold/silver contacts.

**SPECIFICATIONS:**

**Contact Ratings —**

Letter codes G and Q — 6 amp at 125 VAC, 3 amp @ 250 VAC (U.L. recognized, CSA certified) or 6 amp at 28 VDC resistive.  
Letter codes B and G — 0.5. volt-amp (VA) maximum @ 28 V maximum (AC or DC).

**Life Under Load** — 60,000 make-and-break cycles — resistive load only.

**Initial Contact Resistance** — 10 milliohms maximum 3 VDC, 100 ma for both silver and gold plated contacts.

**Insulation Resistance** — 1,000 megohms, min.

**Dielectric Strength** — 1,000 volts rms at sea level.

**Operating Temperature** — -30 degrees C to 85 degrees C.

**MATERIALS:**

**Base & Bushing** — Thermoplastic high temperature (UL 94V-O).

**Rocker/Paddle** — Molded nylon.

**Mounting Bracket** — Molded nylon.

**Support Brackets** — Brass or steel tin plated.

**Switching Contacts and Rockers —**

- Letter Code B — gold/nickel/brass
- Letter Code G — gold/nickel/silver
- Letter Code Q — Coin silver

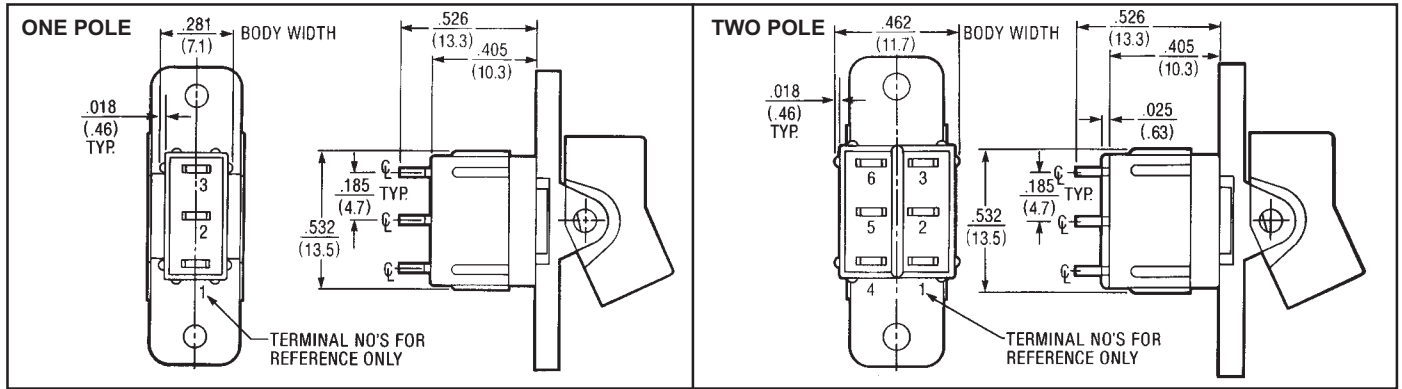
**Center Terminal**

- Letter Codes B & G — Gold flash/nickel/brass
- Letter Code Q — Silver plated brass.

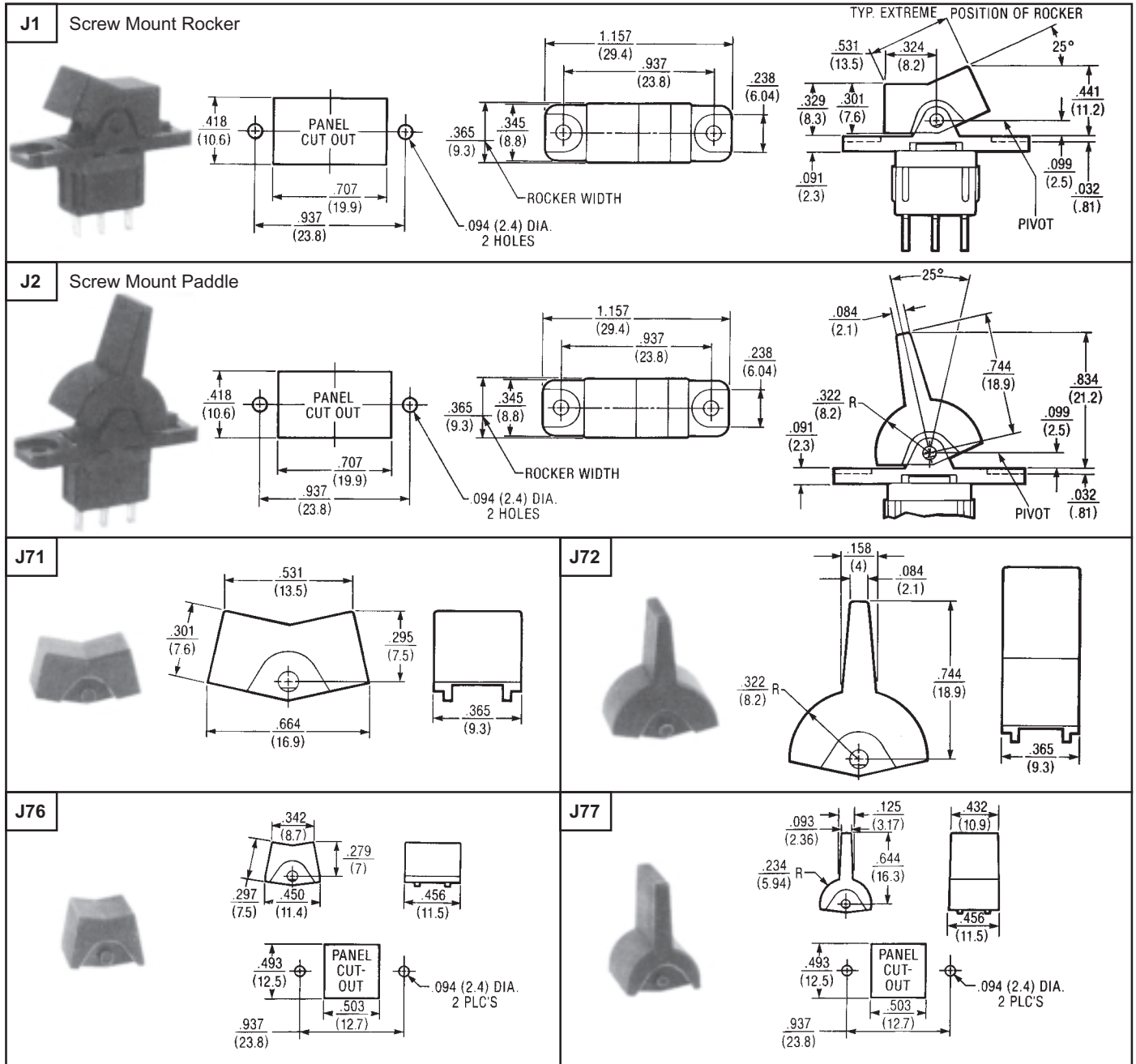
**Hardware** — Two mounting screws, two nuts, two spacers for .094" thick panel, and two lockwashers are supplied standard on screw mounted switches.

**Washable Rocker & Paddle Switches — Specifications**

**APPROXIMATE BASE DIMENSIONS**

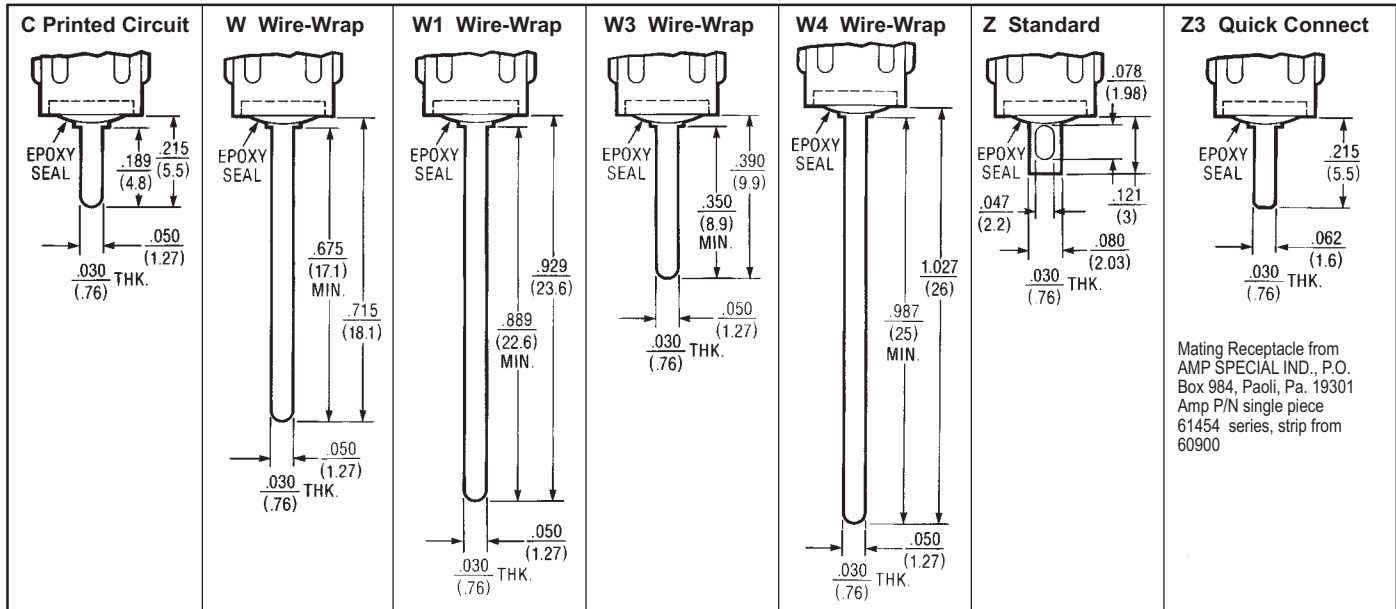


**ACTUATOR/MOUNTING OPTIONS**



**Washable Rocker & Paddle Switches**

**TERMINATION OPTIONS**



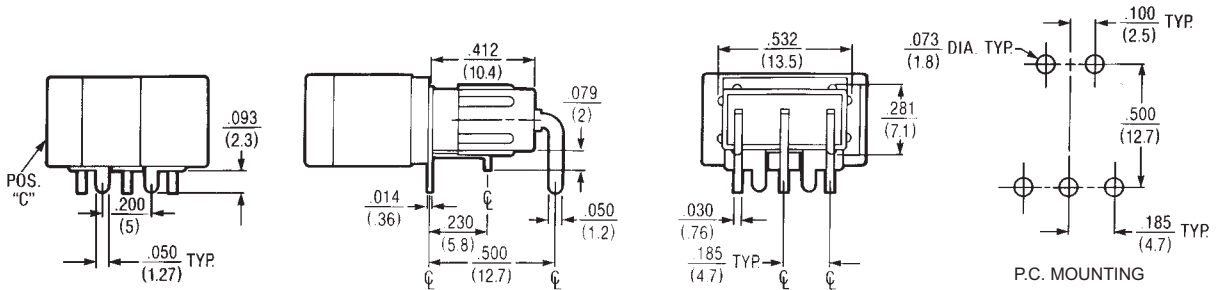
NOTE: Wire-Wrap is a registered trademark of the Gardner-Denver Company.

**TERMINATION & MOUNTING OPTIONS**

A



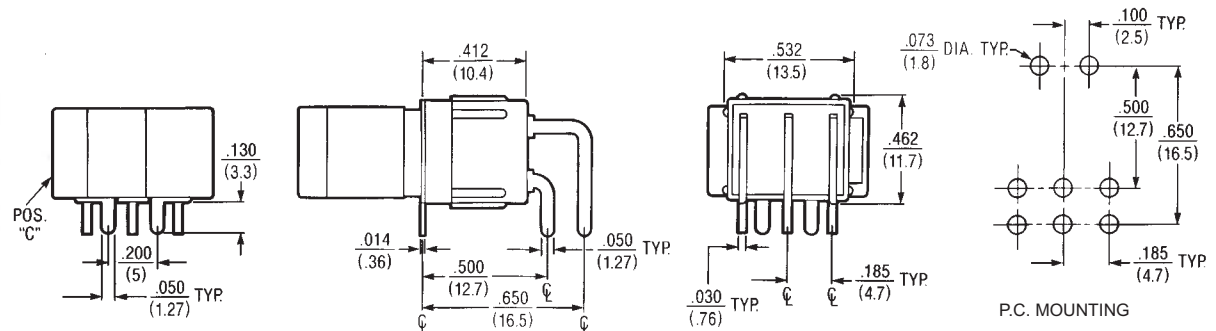
ONE POLE



A

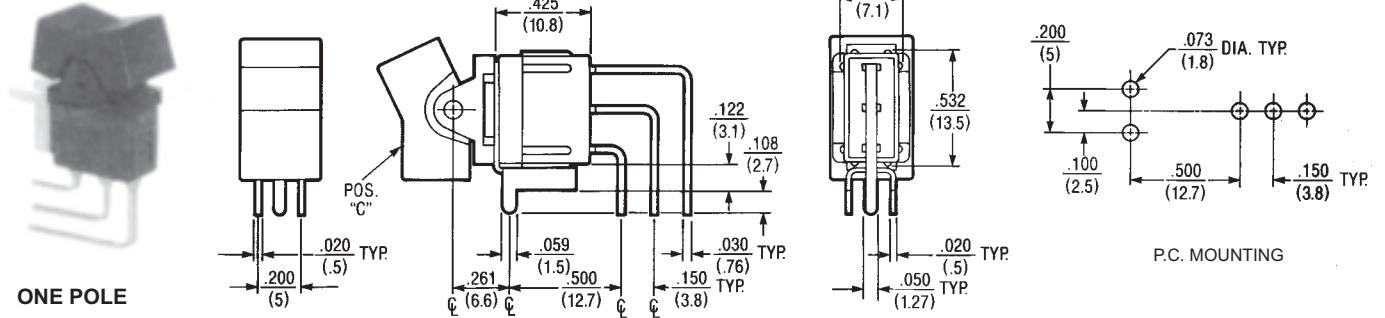


TWO POLE

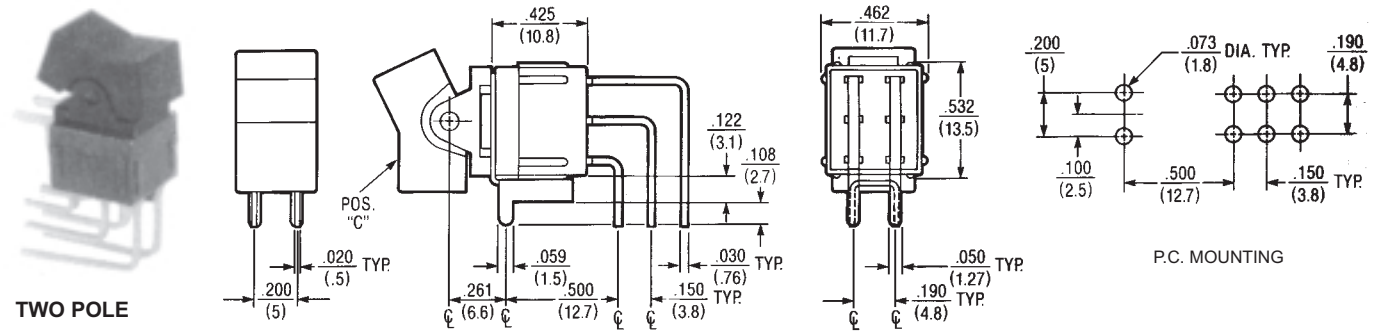


**TERMINATION & MOUNTING OPTIONS — Contd.**

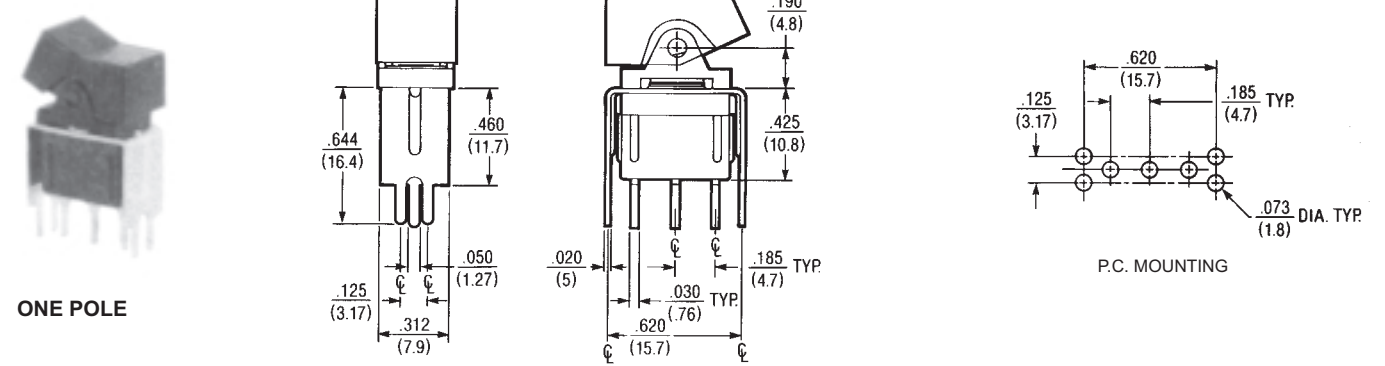
**AV2**



**AV2**



**V3**



**V3**

