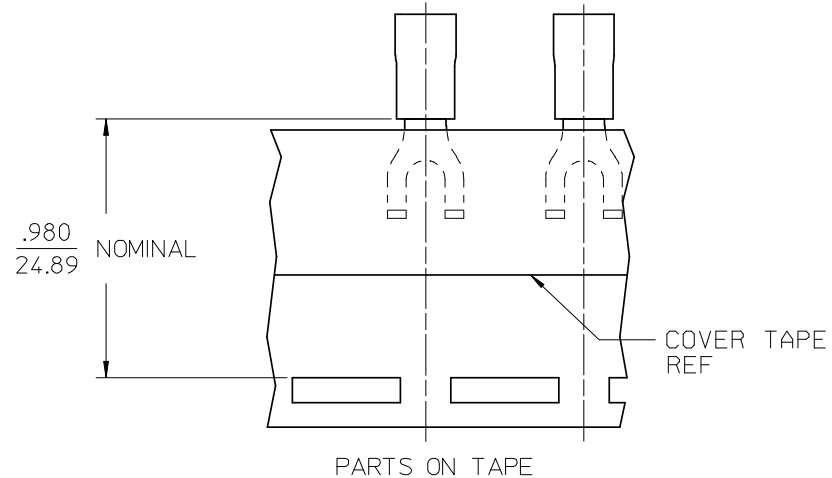
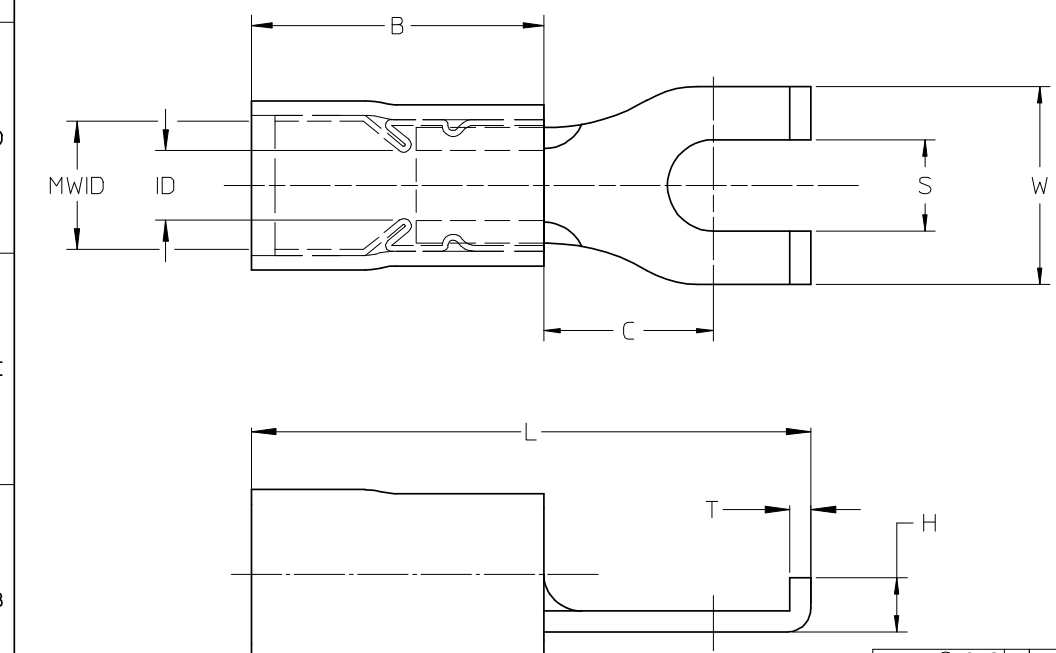


| LOOSE PIECE     |                    | TAPE MOUNTED    |                    | DIMENSIONS |              |              |               |           |           |            |                |         |           | FINISH           |
|-----------------|--------------------|-----------------|--------------------|------------|--------------|--------------|---------------|-----------|-----------|------------|----------------|---------|-----------|------------------|
| MATERIAL NUMBER | ENGINEERING NUMBER | MATERIAL NUMBER | ENGINEERING NUMBER | STUD SIZE  | S ±.005      | W MAX        | C MIN         | ID MIN    | MWID      | B REF      | L MAX          | H REF   | T REF     | INSULATION COLOR |
| 191270007       | AA-815-06          | 191270009       | AA-815-06T         | 6          | .146/3.71    | .301/7.6     | .207/5.3      | .054/1.37 | .138/3.51 | .400/10.16 | .781/19.84     | .08/2.0 | .031/0.79 | RED              |
| 191270010       | AA-815-08          | 191270011       | AA-815-08T         | 8          | .173/4.39    | .301/7.6     | .207/5.3      | .054/1.37 | .138/3.51 | .400/10.16 | .781/19.84     | .08/2.0 | .031/0.79 | RED              |
| 191270012       | AA-815-10          | 191270013       | AA-815-10T         | 10         | .198/5.03    | .301/7.6     | .207/5.3      | .054/1.37 | .138/3.51 | .400/10.16 | .781/19.84     | .08/2.0 | .031/0.79 | RED              |
| 191270039       | BB-816-06          | 191270041       | BB-816-06T         | 6          | .146/3.71    | .301/7.6     | .209/5.3      | .081/2.06 | .165/4.19 | .400/10.16 | .810/20.32     | .08/2.0 | .031/0.79 | BLUE             |
| 191270042       | BB-816-08          | 191270044       | BB-816-08T         | 8          | .173/4.39    | .301/7.6     | .209/5.3      | .081/2.06 | .165/4.19 | .400/10.16 | .810/20.32     | .08/2.0 | .031/0.79 | BLUE             |
| 191270099       | BB-816-10          | 191270045       | BB-816-10T         | 10         | .198/5.03    | .301/7.6     | .209/5.3      | .081/2.06 | .165/4.19 | .400/10.16 | .810/20.32     | .08/2.0 | .031/0.79 | BLUE             |
| 191270083       | C-817-06           | 191270084       | C-817-06T          | 6          | .146/3.71    | .345/8.8 (A) | .270/6.85 (A) | .128/3.25 | .225/5.71 | .560/14.22 | 1.026/26.1 (A) | .10/2.5 | .040/1.02 | YELLOW           |
| 191270086       | C-817-08           | 191270087       | C-817-08T          | 8          | .173/4.39    | .385/9.8     | .270/6.85 (A) | .128/3.25 | .225/5.71 | .560/14.22 | 1.026/26.1 (A) | .10/2.5 | .040/1.02 | YELLOW           |
| 191270089       | C-817-10           | 191270090       | C-817-10T          | 10         | .209/5.3 (A) | .385/9.8     | .270/6.85 (A) | .128/3.25 | .225/5.71 | .560/14.22 | 1.026/26.1 (A) | .10/2.5 | .040/1.02 | YELLOW           |



SALES DRAWING

- NOTES:
1. MATERIAL: COPPER
  2. PLATING: ELECTRO-TIN
  3. MWID = MAXIMUM WIRE INSULATION DIAMETER
  4. PART IS RoHS COMPLIANT

|   |  |                                       |                       |                 |   |                    |   |                        |  |  |
|---|--|---------------------------------------|-----------------------|-----------------|---|--------------------|---|------------------------|--|--|
| 12-10 TO ALT DIE DIMS<br>EC NO: ETC2008-0012<br>DRWN: RSTONE 2007/11/26<br>CHKD: MACNEIL 2007/11/26<br>APPR: MACNEIL 2007/12/05 | QUALITY SYMBOLS                                      | GENERAL TOLERANCES (UNLESS SPECIFIED) |                       | DIMENSION STYLE |   | SCALE              | DESIGN UNITS  | THIRD ANGLE PROJECTION |  |  |
|   | ▽=0<br>∇=0   | mm                                    | INCH                  | IN/MM           |   | 4:1                | INCH  |                        |  |  |
|   |  | 4 PLACES ± --- ± ---                  | 3 PLACES ± --- ± .005 | DRAWN BY        |   | DATE               | TITLE<br>FLANGED SPADE TERMINAL, AVIKRIMP -800 SERIES |                        |  |  |
|   |  | 2 PLACES ± 0.13 ± .01                 | 1 PLACE ± 0.25 ± ---  | DLM             |   | 2003/08/25         |   |                        |  |  |
|   | ANGULAR ±1/2°  |                                       | CHECKED BY            |                 | DATE  | MOLEX INCORPORATED |   |                        |  |  |
|   | DRAFT WHERE APPLICABLE MUST REMAIN WITHIN DIMENSIONS |                                       | HEB                   |                 | 2003/08/25  |                    |   |                        |  |  |
|   |  |                                       | APPROVED BY           |                 | DATE  | DOCUMENT NO.       |   | SHEET NO.              |  |  |
|   |  |                                       | RWD                   |                 | 2003/08/25  | SD-19127-003       |   | 1 OF 1                 |  |  |
|   |  |                                       | MATERIAL NO.          |                 | THIS DRAWING CONTAINS INFORMATION THAT IS PROPRIETARY TO MOLEX INCORPORATED AND SHOULD NOT BE USED WITHOUT WRITTEN PERMISSION |                    |   |                        |  |  |
|   |  |                                       | SEE CHART             |                 |   |                    |   |                        |  |  |