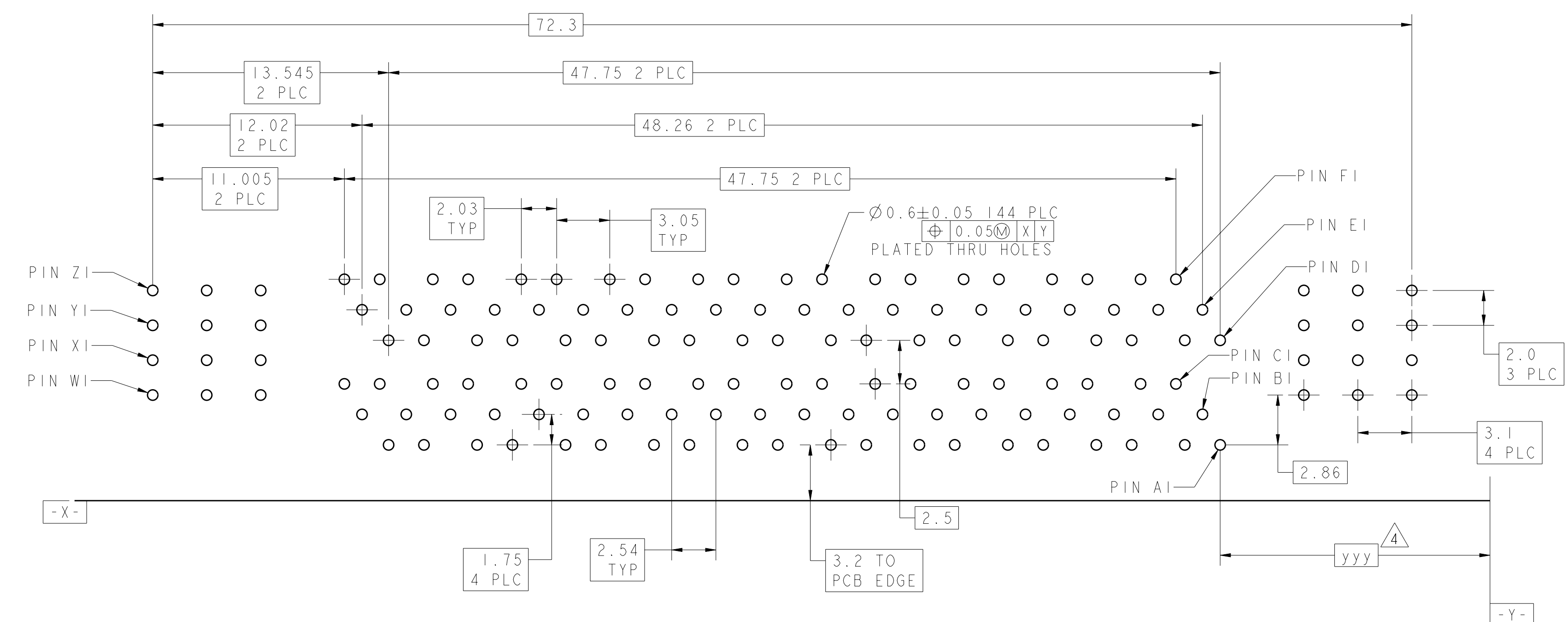
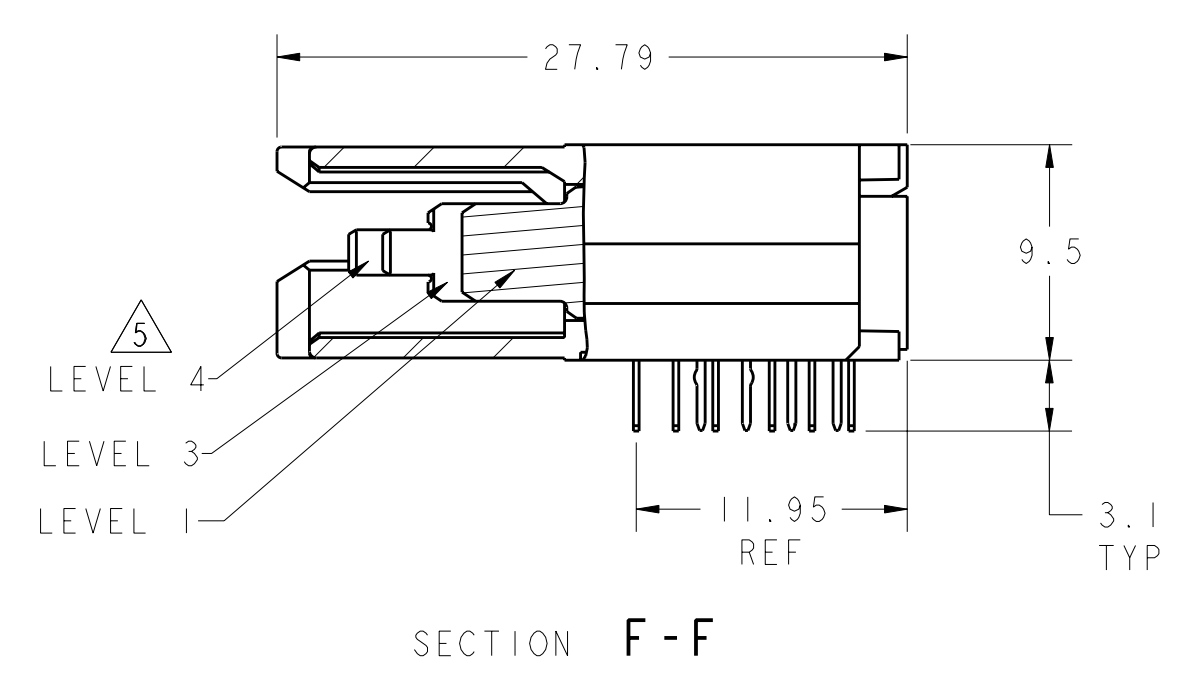
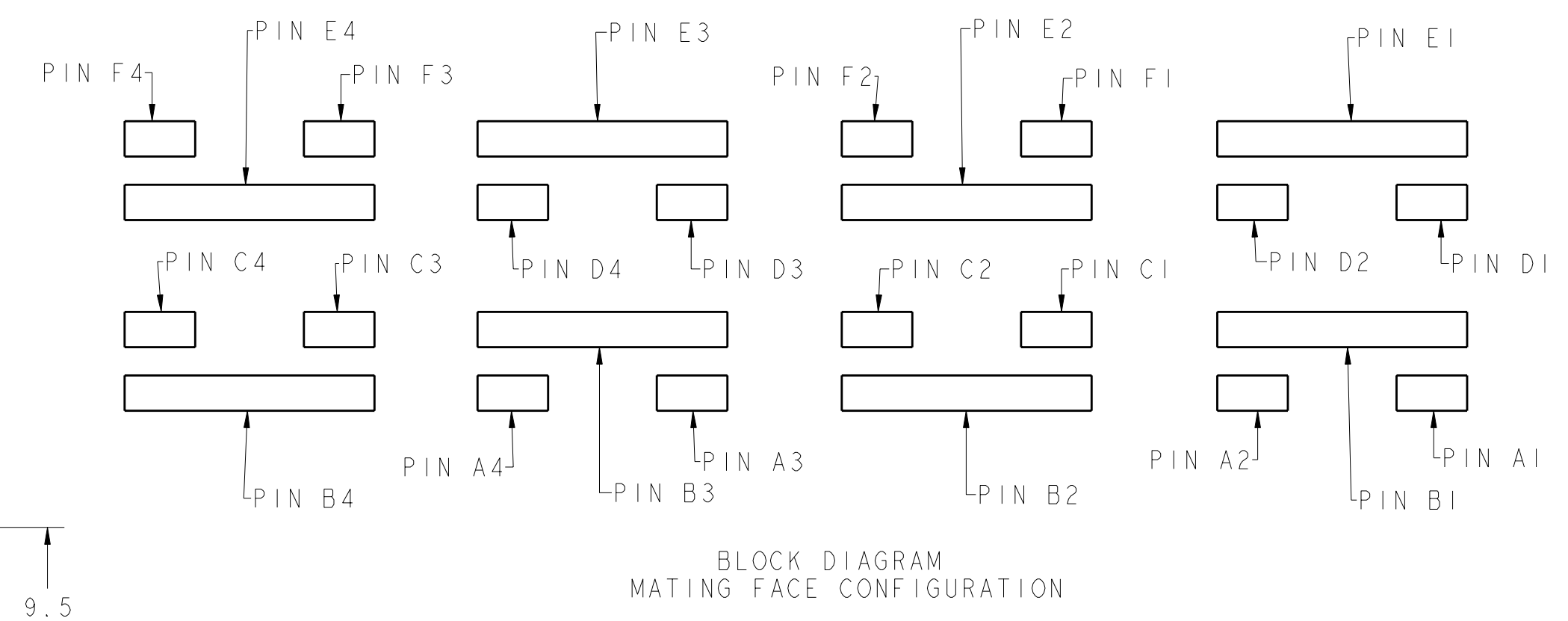
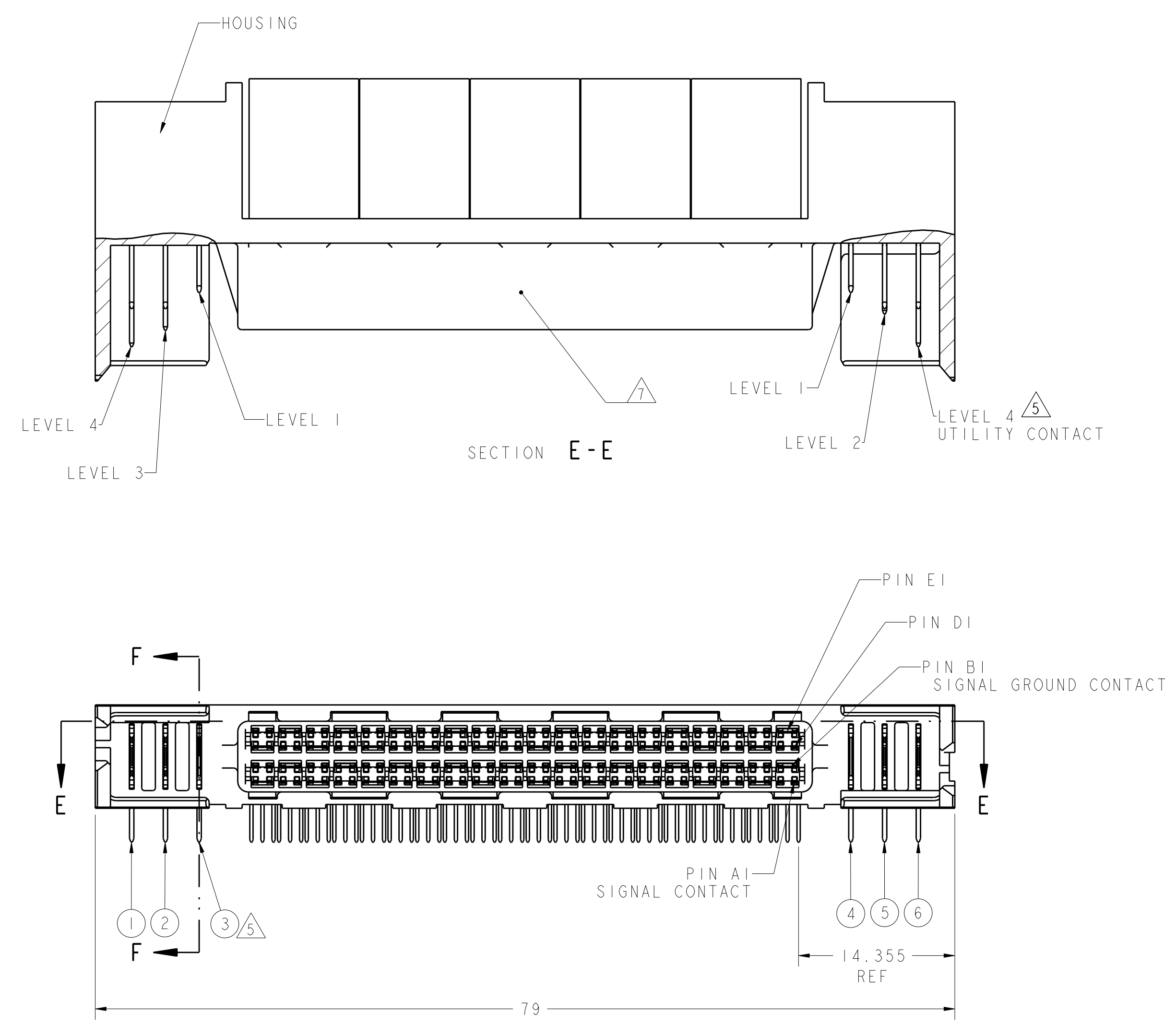


LOC	DIST	REV	DATE	BY	APPD
GP	00	B	13DEC2010	CJV	EJB

- 1. HOUSINGS; POLYESTER, UL 94V-0 RATED, NATURAL
 SIGNAL AND SIGNAL GROUND CONTACTS: COPPER ALLOY
 UTILITY CONTACTS: PHOSPHOR BRONZE
- 2. UTILITY CONTACTS: 0.76µm MIN GOLD IN CONTACT AREA,
 2.54µm MIN TIN-LEAD ON PCB TAILS, OVER 1.27µm MIN NICKEL OVER ALL.
 SIGNAL AND SIGNAL GROUND CONTACTS: 0.76µm MIN GOLD IN CONTACT AREA,
 2.54µm MIN TIN-LEAD ON PCB TAILS, OVER 1.27µm MIN NICKEL OVER ALL.
- 3. ROWS A, C, D, AND F ARE SIGNAL CONTACTS. ROWS B AND E ARE SIGNAL GROUND CONTACTS.
- 4. DIMENSIONS PER CUSTOMER BOARD LAYOUT.
- 5. SEE UTILITY CONTACT SEQUENCE TABLE FOR LOCATION AND LEVEL/LENGTH OF UTILITY CONTACTS FOR EACH PRODUCT PART NUMBER. UTILITY LEVEL 1 CAN BE USED FOR SENSING. UTILITY LEVELS 2, 3, AND 4 CAN BE USED FOR POWER, GROUND, OR ESD. SEQUENCING SHOWN IN SECTION E-E SHOWS THREE LEVELS FOR COMPARISON. UTILITY LEVEL 2 EQUALS THE SIGNAL GROUND CONTACT LEVEL. SIGNAL LEVEL IS BETWEEN UTILITY LEVELS 1 AND 2.
- 6. BLOCK DIAGRAM AND CONTACT IDENTIFICATION APPLY TO COPLANAR NON-INVERTED APPLICATION ONLY. CONTACT IDENTIFICATION REVERSES FOR INVERTED APPLICATIONS, I.E COPLANAR OR MID-BOARD INVERTED.
- 7. COMPANY LOGO IN APPROXIMATE AREA SHOWN.



UTILITY CONTACT SEQUENCE TABLE						
UTILITY CONTACT LEVEL 1, 2, 3, OR 4						
1	2	3	3	2	1	6367555-3
4	2	1	1	2	4	6367555-2
4	3	2	2	3	4	6367555-1
①	②	③	④	⑤	⑥	PART NUMBER

RECOMMENDED PC BOARD FOOTPRINT
 COMPONENT SIDE SHOWN
 SCALE 5:1

DIMENSIONS: mm 		TOLERANCES UNLESS OTHERWISE SPECIFIED: 9 PLC ± 1 PLC ±0.3 2 PLC ±0.25 3 PLC ± 4 PLC ± ANGLES ±		DWN C. VALENTINE 13DEC2010 CHK P. RECCE 13DEC2010 APVD P. RECCE 13DEC2010 PRODUCT SPEC 108-1985 APPLICATION SPEC 114-13068 WEIGHT CUSTOMER DRAWING		Tyco Electronics Harrisburg, PA 17105-3608 NAME Z-DOK+ ADAPTER BOARD CONNECTOR ASSEMBLY, 40 SIGNAL DIFF. PAIR, 3 UTILITY CONTACTS PER SIDE SIZE CAGE CODE DRAWING NO. 00779 C=6367555 RESTRICTED TO	
MATERIAL		FINISH		SCALE 3:1		SHEET 1 OF 1 REV B	