

MAAOA/215-Series

TOGGLE SWITCHES

The MAAOA/215-Series toggle switches are single pole, AC rated at 20 amps and 125 VAC. These switches are snap-in mounted, with a phenolic toggle and base, and are suitable for high ambient temperature applications.



Product Highlights:

- ♦ High temperature Phenolic base and toggle
- ♦ Ratings to 125VAC
- ♦ Optional embossed On-Off legend
- ♦ Choice of screw, .250 Tab or integrated wire lead connections

Typical Applications:

- ♦ Coffee Makers
- ♦ Food Warmers



Dielectric Strength

UL/CSA: 1000V - live to dead metal parts & opposite polarity

Electrical Life

25,000 cycles

Mechanical Life

100,000 cycles

Operating Temperature

32°F to 185°F (0°C to 85°C)

MAAOA - **BL** / **ON-OFF**

¹
Base Part Number

²
Color

³
Legend

1 BASE PART NUMBER: SERIES / CIRCUITRY / RATING / TERMINATION

10A 250 VAC, 20A 125 VAC, 1/2 HP 125-250 VAC
.250 Tabs Screw Terms. Wire Leads

Single Pole	MAAOA	215	215A
On-Off	MM-021	-	-
(On)-Off			

2 BASE & ACTUATOR COLOR

BL Black **BN** Brown

3 LEGEND ¹

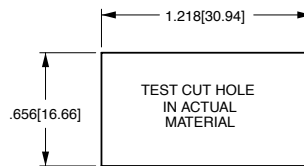
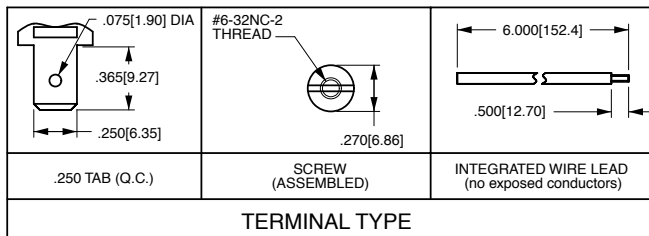
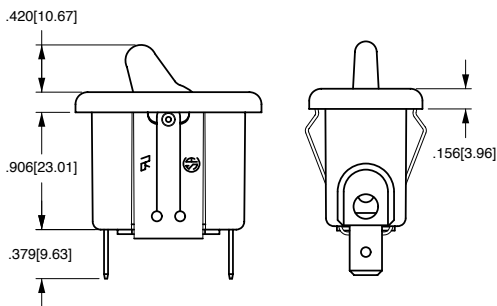
On-Off

Notes:

Panel Cut-Out recommendations: For sheet metal panels, switch must enter panel in same direction as the punch. (Burr on bottom.) Test cut hole in actual material.

¹ Imprinting is available. ON-OFF legend is not standard and must be specified after color. If not specified, switch will be manufactured with no legend.

() Indicates momentary function.



MOUNTING HOLE

Panel Thickness: .030[.762] min - .090 [2.28] max.
Specific cutout dimension range dependent on panel thickness and material.

*Manufacturer reserves the right to change product specification without prior notice.

Authorized Sales Representatives and Distributors

Click on a region of the map below to find your local representatives and distributors or visit www.carlingtech.com/findarep.



About Carling

Founded in 1920, Carling Technologies is a leading manufacturer of electrical and electronic switches and assemblies, circuit breakers, electronic controls, power distribution units, and multiplexed power distribution systems. With four ISO registered manufacturing facilities and technical sales offices worldwide, Carling Technologies Sales, Service and Engineering teams do much more than manufacture electrical components, they engineer powerful solutions! To learn more about Carling please visit www.carlingtech.com/company-profile.

To view all of Carling's environmental, quality, health & safety certifications please visit www.carlingtech.com/environmental-certifications

Worldwide Headquarters

Carling Technologies, Inc.
60 Johnson Avenue, Plainville, CT 06062
Phone: 860.793.9281 **Fax:** 860.793.9231
Email: sales@carlingtech.com

Northern Region Sales Office: nrsm@carlingtech.com
Southeast Region Sales Office: sersm@carlingtech.com
Midwest Region Sales Office: mrrsm@carlingtech.com
West Region Sales Office: wrsm@carlingtech.com
Latin America Sales Office: larsm@carlingtech.com

Asia-Pacific Headquarters

Carling Technologies, Asia-Pacific Ltd.,
Suite 1607, 16/F Tower 2, The Gateway,
Harbour City, 25 Canton Road,
Tsimshatsui, Kowloon, Hong Kong
Phone: Int + 852-2737-2277 **Fax:** Int + 852-2736-9332
Email: sales@carlingtech.com.hk

Shenzhen, China: shenzhen@carlingtech.com
Shanghai, China: shanghai@carlingtech.com
Pune, India: india@carlingtech.com
Kaohsiung, Taiwan: taiwan@carlingtech.com
Yokohama, Japan: japan@carlingtech.com

Europe | Middle East | Africa Headquarters

Carling Technologies LTD
4 Airport Business Park, Exeter Airport,
Clyst Honiton, Exeter, Devon, EX5 2UL, UK
Phone: Int + 44 1392.364422 **Fax:** Int + 44 1392.364477
Email: ltd.sales@carlingtech.com

Germany: gmbh@carlingtech.com
France: sas@carlingtech.com



Carling Technologies®

Innovative Designs. Powerful Solutions.