

THIS DRAWING IS UNPUBLISHED. RELEASED FOR PUBLICATION  
 © COPYRIGHT BY TYCO ELECTRONICS CORPORATION. ALL RIGHTS RESERVED.

LOC	DIST	REVISIONS					
DF	DO	P	LTR	DESCRIPTION	DATE	DWN	APVD
		P		UPDATE PER 0H2Y-0164-04	12 MAY 04	CAS	MKS

SIZE	A DIM	B DIM	C DIM ±.0050	(L DIM)
09	.050	.229	.3085	(.100)
15	.0875	.304	.3835	(.175)
25	.150	.429	.5085	(.300)
37	.225	.579	.6585	(.450)
51	.3125	.754	.8335	(.625)
65	.400	.929	1.0085	(.800)

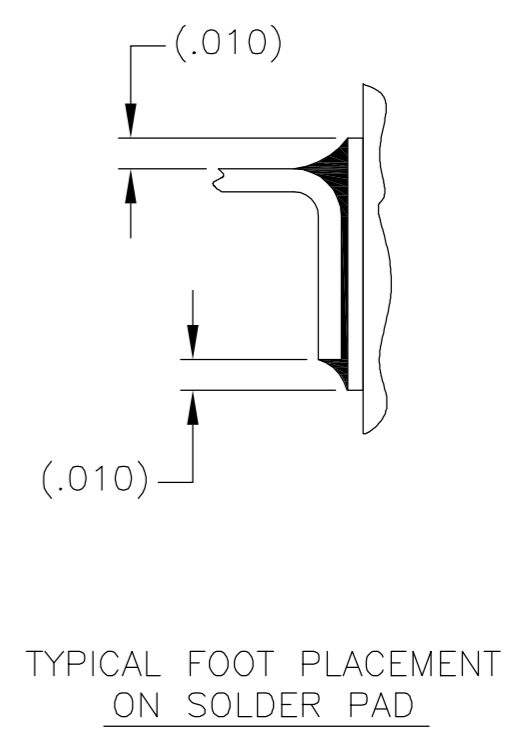
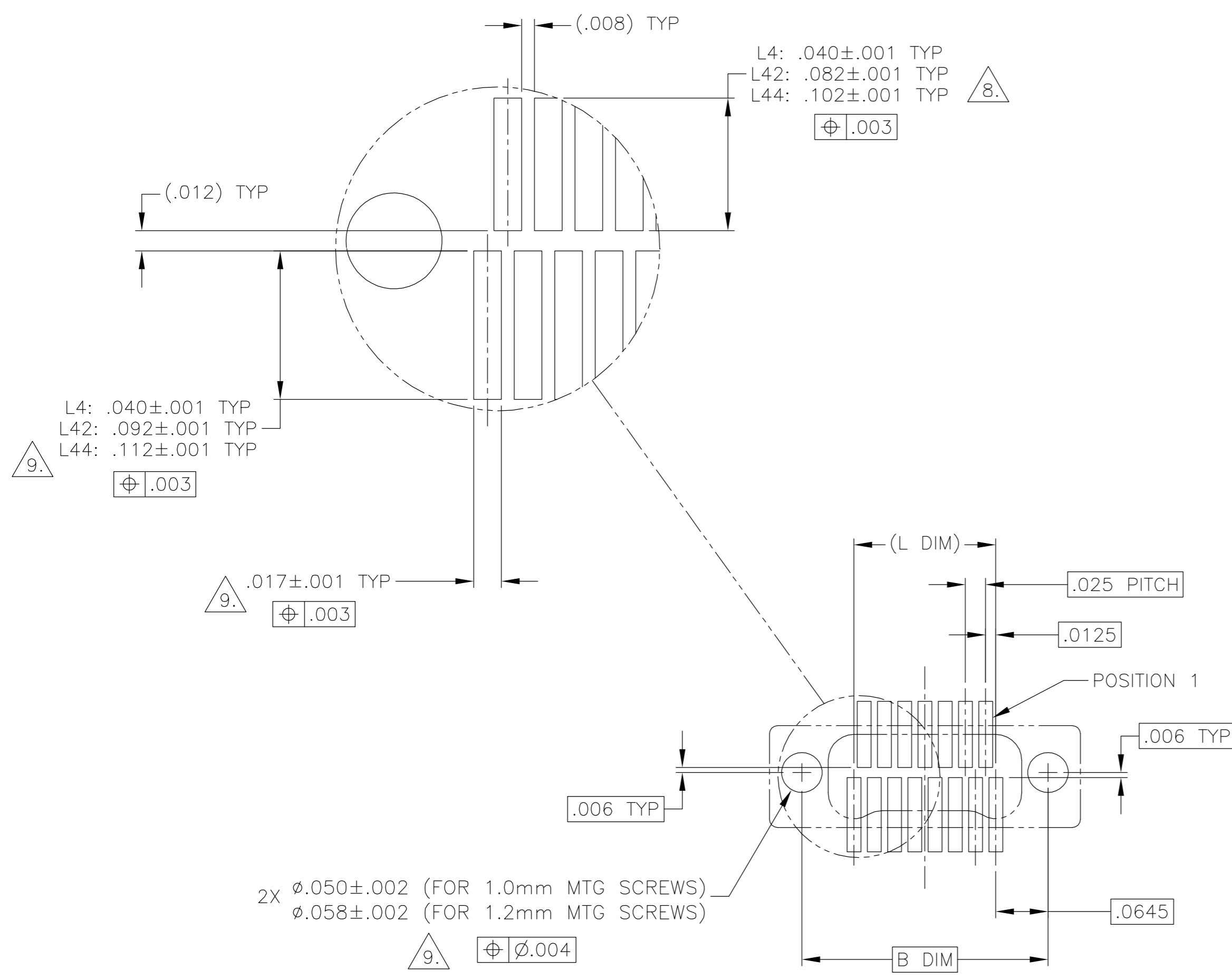


- 1. SHELL OPTIONS (TO BE SPECIFIED IN NANONICS PART NUMBER):  
 METAL: 6061-T6 ALUMINUM, ELECTROLESS NICKEL PLATED PER MIL-C-26074 (STANDARD) OR GOLD PLATED PER MIL-G-45204  
 303 STAINLESS STEEL, PASSIVATED PER SAE-AMS-QQ-P-35  
 INSULATOR MATERIAL FOR ALL METAL SHELLS IS LIQUID CRYSTAL POLYMER (LCP) PER MIL-M-24519 OR PER ASTM D5138  
 PLASTIC: LIQUID CRYSTAL POLYMER (LCP) PER MIL-M-24519 OR PER ASTM D5138
- 2. STANDARD 1.0 X 0.25mm MOUNTING AND JACKSCREW THREADS ARE SHOWN FOR REFERENCE ONLY AND MUST BE SPECIFIED IN THE NANONICS PART NUMBER WHEN REQUIRED. 1.2 X 0.25mm THREADS ALSO AVAILABLE.
- 3. MOUNTING HARDWARE IS AVAILABLE WITH THIS CONFIGURATION (NOT SHOWN). HARDWARE MUST BE SPECIFIED IN THE NANONICS PART NUMBER. CONSULT TYCO ELECTRONICS FOR DETAILS.
- 4. SMT LEADS ARE BeCu, TIN LEAD PLATED 60/40 COMPOSITION PER SAE-AMS-P-81728.
- 5. NANONICS TERMINATION CODE: L4 6. NANONICS TERMINATION CODE: L42 7. NANONICS TERMINATION CODE: L44
- 8. THIS DRAWING PREVIOUSLY IDENTIFIED AS NANONICS N10138/232

THIS DRAWING IS A CONTROLLED DOCUMENT.		DWN D. RYAN 21 APR 92	 Tyco Electronics Corporation Harrisburg, PA 17105
DIMENSIONS: INCHES		CHK E. PAULUS 23 AUG 99	
TOLERANCES UNLESS OTHERWISE SPECIFIED:		APVD M. STORRY 3 APR 01	NAME RECEPTACLE ASSEMBLY, VERTICAL SURFACE MOUNT, TWO ROW DUALLOBE, PLASTIC OR METAL
0 PLC ± - 1 PLC ± - 2 PLC ± .010 3 PLC ± .005 4 PLC ± - ANGLES ± 1		PRODUCT SPEC -	SIZE A2
MATERIAL SEE NOTES		FINISH SEE NOTES	CAGE CODE 00779
		WEIGHT -	DRAWING NO C=1589484
		CUSTOMER DRAWING	RESTRICTED TO -
		SCALE 8:1	SHEET 1 OF 2 REV P

THIS DRAWING IS UNPUBLISHED. RELEASED FOR PUBLICATION  
 © COPYRIGHT BY TYCO ELECTRONICS CORPORATION. ALL RIGHTS RESERVED.

LOC	DIST	REVISIONS					
DF	DO	P	LTR	DESCRIPTION	DATE	DWN	APVD
		P		UPDATE PER 0H2Y-0164-04	12 MAY 04	CAS	MKS



2X Ø.050±.002 (FOR 1.0mm MTG SCREWS)  
 Ø.058±.002 (FOR 1.2mm MTG SCREWS)  
 9. Ø.004

SIZE 15 SHOWN FOR REFERENCE  
 TYPICAL PCB LAYOUT

9. POSITIONAL TOLERANCES FOR BASIC DIMENSIONED FEATURES ARE RELATIVE TO FIDUCIALS OR SOME SIMILAR DATUM REFERENCE DEFINED BY THE PCB DESIGNER.

THIS DRAWING IS A CONTROLLED DOCUMENT.		DWN D. RYAN 21 APR 92	Tyco Electronics Corporation Harrisburg, PA 17105	
DIMENSIONS: INCHES	TOLERANCES UNLESS OTHERWISE SPECIFIED:	CHK E. PAULUS 23 AUG 99	APVD M. STORRY 3 APR 01	NAME RECEPTACLE ASSEMBLY, VERTICAL SURFACE MOUNT, TWO ROW DUALLOBE, PLASTIC OR METAL
	0 PLC ± - 1 PLC ± - 2 PLC ± - 3 PLC ± - 4 PLC ± - ANGLES ± -	PRODUCT SPEC	APPLICATION SPEC	SIZE A2
MATERIAL	FINISH	WEIGHT	CAGE CODE 00779	DRAWING NO C=1589484
		CUSTOMER DRAWING	SCALE 8:1	SHEET 2 OF 2
			REV P	RESTRICTED TO

1589484

# Mouser Electronics

Authorized Distributor

Click to View Pricing, Inventory, Delivery & Lifecycle Information:

[TE Connectivity:](#)

[STM065L44Q](#)