

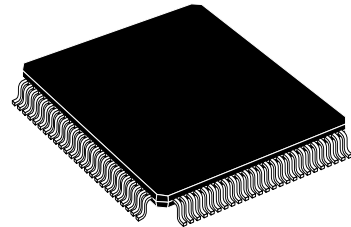
**PLASMA DISPLAY PANEL SCAN DRIVER****FEATURES**

- 64/65 SELECTABLE OUTPUT PLASMA DISPLAY DRIVER
- 100 V ABSOLUTE MAXIMUM SUPPLY
- 5 V SUPPLY FOR LOGIC
- 100/850 mA SOURCE/SINK OUTPUT
- 700 mA SOURCE/SINK OUTPUT DIODE
- 65-bit BIDIRECTIONAL SHIFT REGISTER (8 MHz)
- HIGH IMPEDANCE OUTPUT CONTROL
- BCD TECHNOLOGY
- 100-PIN TQFP PACKAGE WITH INTEGRATED HEATSINK

**DESCRIPTION**

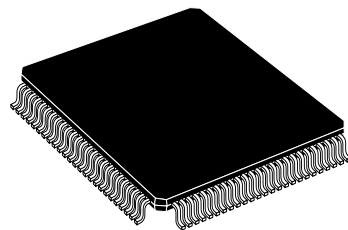
The STV7617 is a scan driver for Plasma Display Panel (PDP) implemented in ST's proprietary BCD technology. Using a 65-bit cascadable 8 MHz shift register, it drives 65 high current & high voltage outputs. The STV7617 can be configured either in 64 or 65 outputs depending on the SEL input Pin.

By serially connecting several STV7617, any vertical pixel definition can be performed. The STV7617 is supplied with a separated 90V power output supply and a 5 V logic supply. All command inputs are CMOS compatible. The STV7617 package is a 100-pin TQFP with integrated heatsink located on the bottom (STV7617D) or top (STV7617U) of the package. It is also available without heatsink (STV7617).



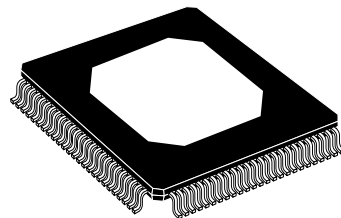
**TQFP100** (14 x 14 x 1.4 mm Slug-down)  
(Thin Plastic Quad Flat Pack)

**ORDER CODE:** STV7617D



**TQFP100** (14 x 14 x 1.4 mm)  
(Thin Plastic Quad Flat Pack)

**ORDER CODE:** STV7617



**TQFP100** (14 x 14 x 1.4 mm Slug-up)  
(Thin Plastic Quad Flat Pack)

**ORDER CODE:** STV7617U

---

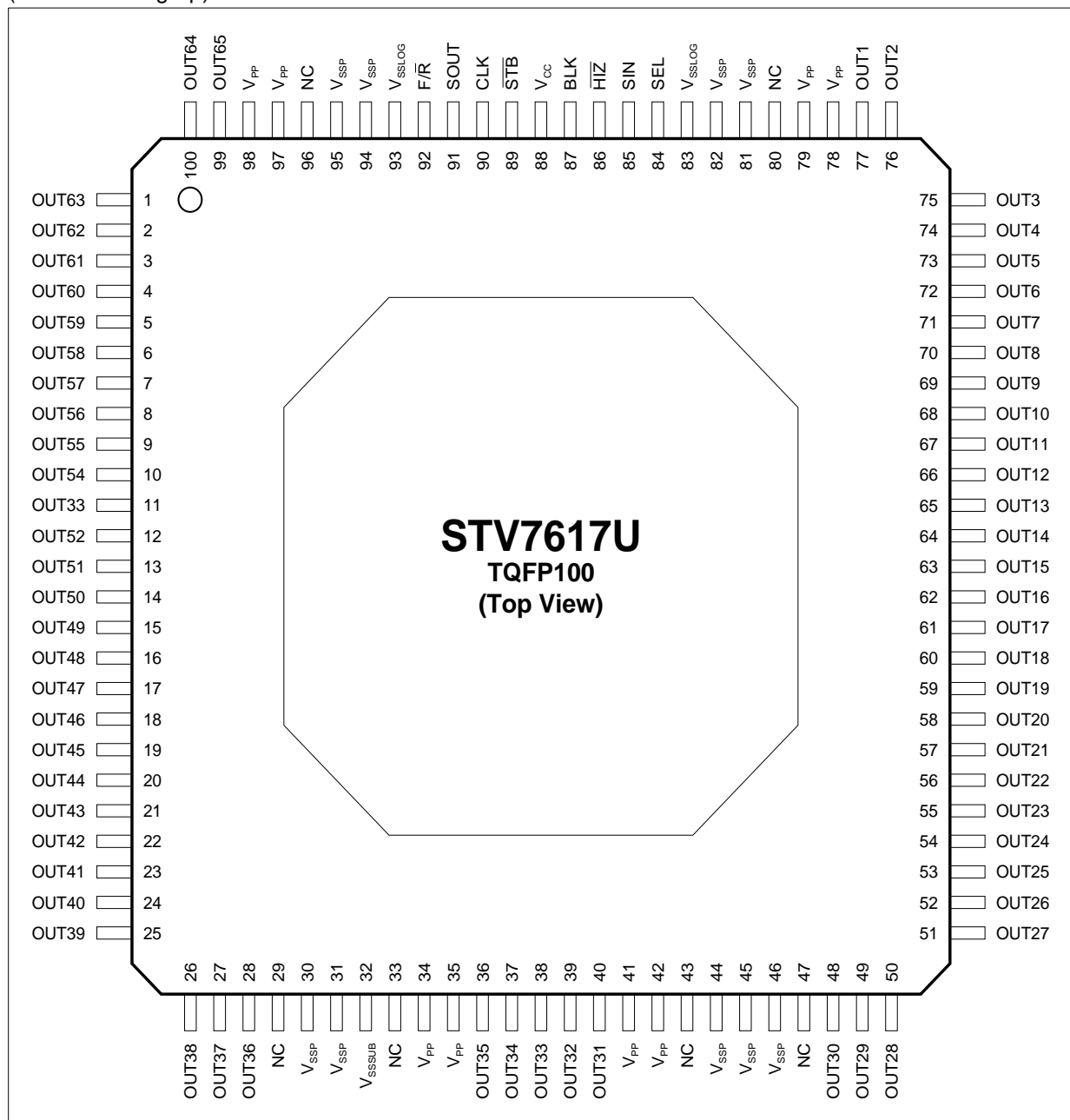
## TABLE OF CONTENTS

---

PIN CONNECTIONS (SLUG-UP) .....	3
PIN CONNECTIONS (SLUG-DOWN) .....	4
PIN CONNECTIONS (NO SLUG) .....	5
PIN ASSIGNMENT .....	6
BLOCK DIAGRAM .....	7
CIRCUIT DESCRIPTION .....	7
ABSOLUTE MAXIMUM RATINGS .....	8
THERMAL DATA .....	8
ELECTRICAL CHARACTERISTICS .....	9
AC TIMING REQUIREMENTS .....	10
AC TIMING CHARACTERISTICS .....	10
INPUT/OUTPUT CHARACTERISTICS .....	13
PACKAGE MECHANICAL DATA (SLUG-DOWN) .....	14
PACKAGE MECHANICAL DATA (SLUG-UP) .....	15
PACKAGE MECHANICAL DATA (NO SLUG) .....	16

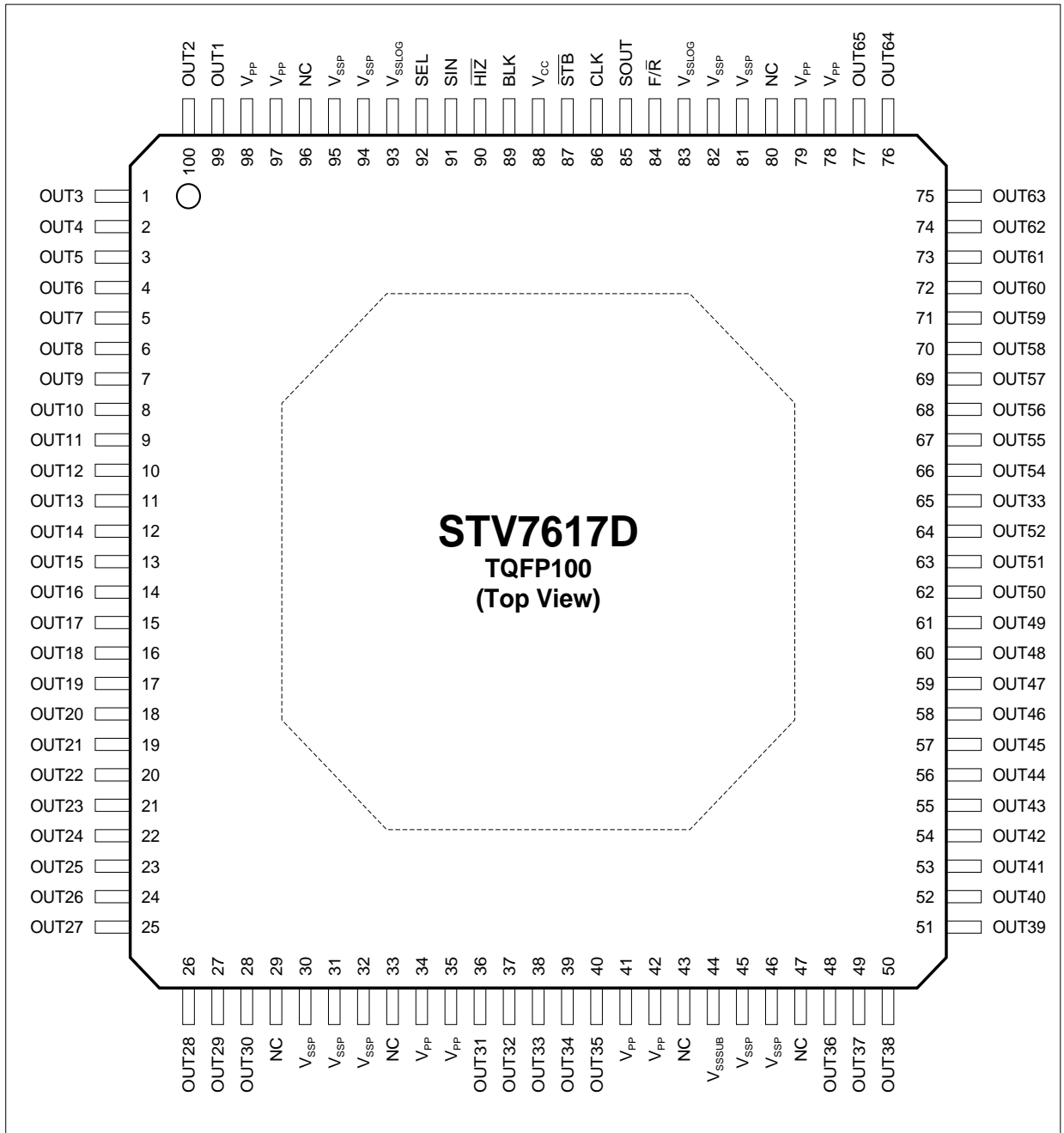
## PIN CONNECTIONS (SLUG-UP)

(TQFP100 Slug-up)



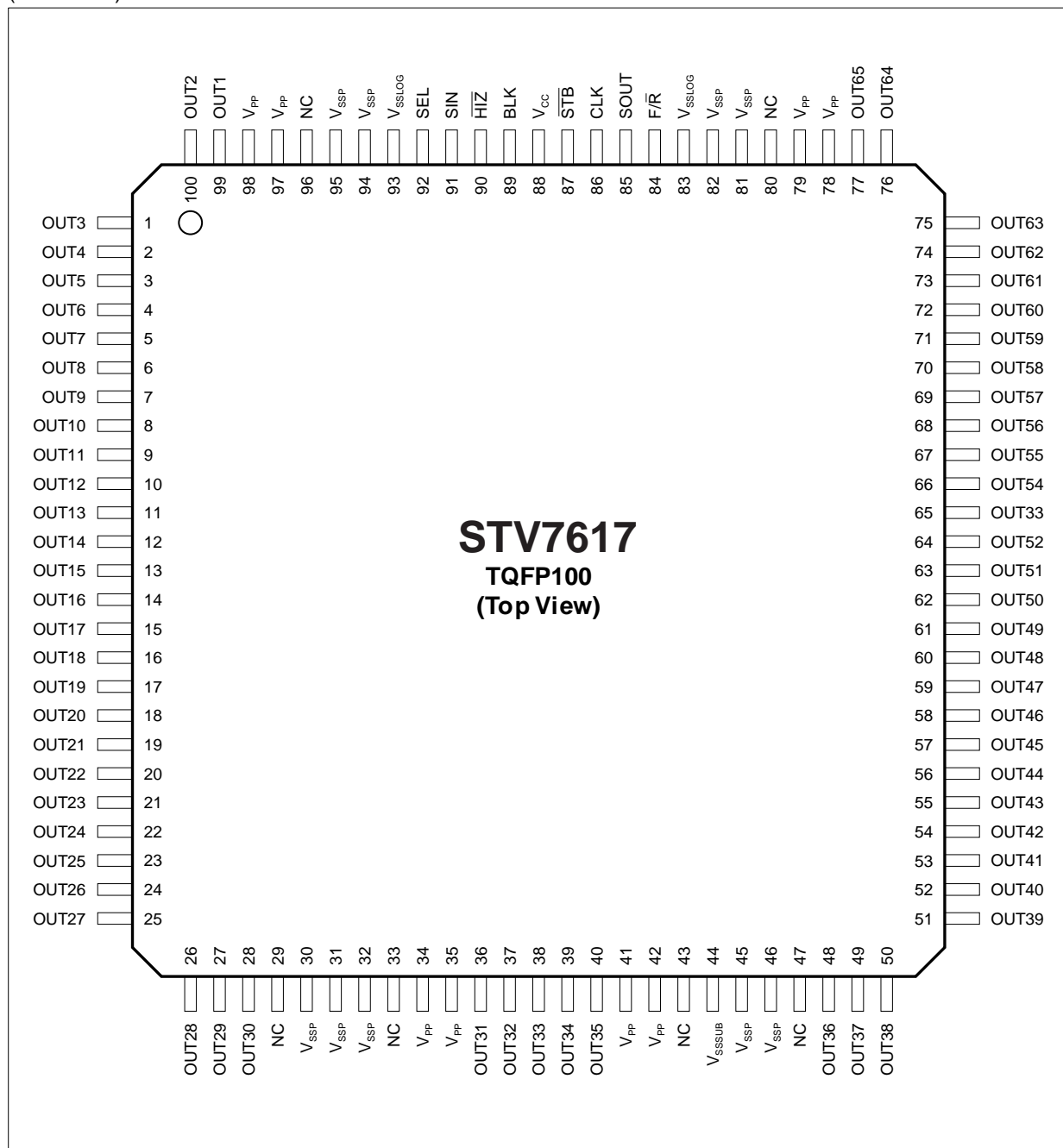
# PIN CONNECTIONS (SLUG-DOWN)

(TQFP100 Slug-down)



## PIN CONNECTIONS (NO SLUG)

(TQFP100)



## PIN ASSIGNMENT

(TQFP100)

Pin Number		Symbol	Type	Function
TQFP100 Slug-up	TQFP100 Slug-down/ TQFP100 No slug			
88	88	V <sub>CC</sub>	Supply	5 V Logic Supply
34-35-41-42 78-79-97-98	34-35-41-42 78-79-97-98	V <sub>PP</sub>	Supply	High Voltage Supply of power outputs
30-31-44-45 46-81-82-94-95	30-31-32-45 46-81-82-94-95	V <sub>SSP</sub>	Ground	Ground of power outputs
83-93	83-93	V <sub>SSLOG</sub>	Ground	Logic Ground
32	44	V <sub>SSSUB</sub>	Ground	Substrate Ground
77 to 48, 40 to 36, 28 to 1, 100-99	99-100, 1 to 28, 36 to 40, 48 to 77	OUT1 to OUT 65	Output	Power Output
91	85	SOUT (SIN)	Output	Shift Register Data Output
90	86	CLK	Input	Clock of data shift register
89	87	STB	Input	Latch of data to outputs
87	89	BLK	Input	Power Output Blanking Control
86	90	HIZ	Input	Power Output High Impedance Control
85	91	SIN (SOUT)	Input	Shift Register Data Input
84	92	SEL	Input	Selection of number of power outputs
92	84	F/R	Input	Selection of shift direction
29-33-43-47-80-96	29-33-43-47-80-96	NC	-	Not connected

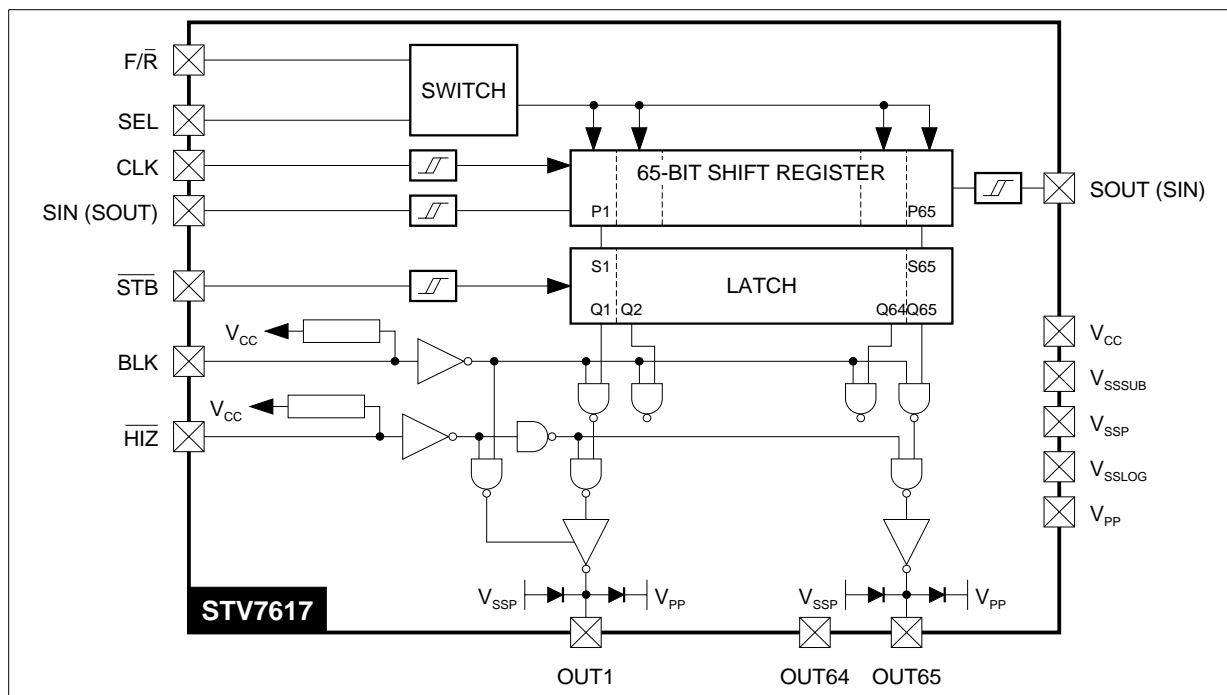
### PIN ASSIGNMENT (Power Outputs)

Output Number	Pin Number	
	Slug-down/ No slug	Slug-up
1	77	99
2	76	100
3	75	1
4	74	2
5	73	3
6	72	4
7	71	5
8	70	6
9	69	7
10	68	8
11	67	9
12	66	10
13	65	11
14	64	12
15	63	13
16	62	14
17	61	15
18	60	18
19	59	17
20	58	18
21	57	19
22	56	20

Output Number	Pin Number	
	Slug-down/ No slug	Slug-up
23	55	21
24	54	22
25	53	23
26	52	24
27	51	25
28	50	26
29	49	27
30	48	28
31	40	36
32	39	37
33	38	38
34	37	39
35	36	40
36	28	48
37	27	49
38	26	50
39	25	51
40	24	52
41	23	53
42	22	54
43	21	55
44	20	56

Output Number	Pin Number	
	Slug-down/ No slug	Slug-up
45	19	57
46	18	58
47	17	59
48	16	60
49	15	61
50	14	62
51	13	63
52	12	64
53	11	65
54	10	66
55	9	67
56	8	68
57	7	69
58	6	70
59	5	71
60	4	72
61	3	73
62	2	74
63	1	75
64	100	76
65	99	77

## BLOCK DIAGRAM



## CIRCUIT DESCRIPTION

The STV7617 contains all the logic and the power circuits necessary to drive rows of a Plasma Display Panel (PDP). Data is shifted at each low to high transition of the (CLK) shift clock. After 64 or 65 shifts (depending on SEL) the first bit presented at (SIN) is available at the serial output (SOUT). This output can be used to cascade several drivers to perform any vertical resolution. CLK, STB, SIN and SOUT inputs are Smith trigger inputs. BLK and HIZ logical inputs are internally pulled to level "1". The maximum frequency of the shift clock is 8 MHz.

Shift register outputs (P1, ... P65) are transferred from the shift register into the latch stage when the latch input (STB) is at low level.

Table 1 : Output State Configuration

STB	BLK	HIZ	Output State
*	L	L	High impedance
L	L	H	Inverted copy of input data
H	L	H	Data latched
*	H	L	Low level
*	H	H	High Level

Sustain current must not be sunk in the power outputs to VPP when the power supply is applied and output state is in HIZ or at high state. VSSSUB and VSSLOG must be connected as close as possible to the logical reference ground of the application.

Table 2 : Shift Register Truth Table

F/R	CLK	SIN	SOUT	Comments
H	Rise	In	Out	Forward Shift
H	L or H	In	Out	Steady
L	Rise	Out	In	Reverse Shift
L	L or H	Out	In	Steady

Table 3 : Power Output Configuration

SEL	F/R	Number of Outputs	Comments
L	L	64	Out 1 is in Hi-Z mode (outputs 65 to 2 powered)
L	H	64	Out 65 is in Hi-Z mode (outputs 1 to 64 powered)
H	L	65	Out 65 to Out 1 powered
H	H	65	Out 1 to Out 65 powered

## ABSOLUTE MAXIMUM RATINGS

Symbol	Parameter	Value	Unit
$V_{CC}$	Logic Supply (Pin 88)*	-0.3, +7	V
OUTi	Output Pins (1 to 28, 36 to 40, 48 to 77, 99, 100)	-0.3, +100	V
$V_{IN}$	Logic Input Voltage (Pins 84, 86, 87, 89, 90, 91, 92)*	-0.3, $V_{CC} + 0.3$	V
$V_{OUT}$	Logic Output Voltage (Pin 85)*	-0.3, $V_{CC} + 0.3$	V
$V_{POUT}$	Driver Output Voltage (scanning mode)	-0.3, +100	V
$I_{POUT}$	Driver Output Current (1) (4)	-100, +1 A	mA
$I_{DOUT}$	Diode Output Current (3) (4)	±700	mA
$T_{jmax}$	Junction Temperature	+150	°C
$T_{oper}$	Operating Temperature	-20, +85	°C
$T_{stg}$	Storage Temperature	-20, +150	°C

\* In case of STV7617D

## THERMAL DATA

Symbol	Parameter	Value	Unit
$R_{th(j-a)}$	Junction-ambient Thermal Resistance (1)	20	°C/W
$T_{joper}$	Maximum Operating Junction (1)	125	°C
$R_{th(j-a)}$	Junction-ambient Thermal Resistance (5)	40	°C/W

**Note 1** For TQFP100 packaging and slug soldered on printed circuit board.

**Note 2** Through one power output.

**Note 3** Through all power outputs (see test diagram): with Power dissipation lower or equal than  $P_{tot}$  and Junction temperature lower or equal than  $T_{jmax}$  and  $V_{PP} = V_{SSP}$ .

**Note 4** These parameters are measured during ST's internal qualification which includes temperature characterisation on standard batches and on corners batches of the process. These parameters are not tested on the parts.

**Note 5** TQFP soldered on 4 layers Printed Circuit Board.



## ELECTRICAL CHARACTERISTICS

( $V_{CC} = 5\text{ V}$ ,  $V_{PP} = 90\text{ V}$ ,  $V_{SSP} = 0\text{ V}$ ,  $V_{SSLOG} = 0\text{ V}$ ,  $V_{SSSUB} = 0\text{ V}$ ,  $T_{amb} = 25^{\circ}\text{C}$ ,  $f_{CLK} = 8\text{ MHz}$ , unless otherwise specified)

Symbol	Parameter	Test Conditions	Min.	Typ.	Max.	Unit
<b>SUPPLY</b>						
$V_{CC}$	Logic Supply Voltage		4.5	5	5.5	V
$I_{CCH}$	Logic Supply Current		-	-	100	$\mu\text{A}$
$I_{CCL}$	Logic Supply Current	$f_{CLK} = 8\text{ MHz}$	-	5	-	$\text{mA}$
$V_{PP}$	Power Output Supply Voltage		20	-	90	V
$I_{PPH}$	Power Output Supply Current (steady outputs)		-	-	100	$\mu\text{A}$
<b>OUTPUT</b>						
OUT1-OUT65						
$V_{POUTH}$	Power Output High Level	$I_{POUTH} = -20\text{ mA}$	83	86	-	V
$V_{POUTH}$	Power Output High Level	$I_{POUTH} = -15\text{ mA}$ , $V_{PP} = 40\text{ V}$	30	33	-	V
$V_{POUTL}$	Power Output Low Level	$I_{POUTL} = +400\text{ mA}$	-	2.5	5	V
$V_{POUTL-P}$	Power Output Low Level-pulsed mode	$I_{POUTL-P} = 850\text{ mA}$ (6)	-	-	15	V
$V_{DOUTH}$	Output Diode High Level	$I_{DOUTH} = +400\text{ mA}$ (7) (8)	-	1.7	5	V
$V_{DOUTL}$	Output Diode Low Level	$I_{DOUTL} = -400\text{ mA}$ (7)(8)	-	-1.2	-5	V
<b>SOUT</b>						
$V_{OH}$	Logic Output High Level	$I_{OH} = -1\text{ mA}$	4	4.2	-	V
$V_{OL}$	Logic Output Low Level	$I_{OL} = +1\text{ mA}$	-	0.1	0.4	V
<b>INPUT (CLK, <math>\overline{\text{STB}}</math>, BLK, <math>\overline{\text{HIZ}}</math>, SIN, SEL)</b>						
$V_{IH}$	Input High Level		$0.8 V_{CC}$	-	-	V
$V_{IL}$	Input Low Level		-	-	$0.2V_{CC}$	V
$I_{IH}$	High Level Input Current	$V_{IH} = V_{CC}$	-	-	10	$\mu\text{A}$
$I_{IL}$	Low Level Input Current CLK, SIN, $\overline{\text{STB}}$ , SEL, BLK, $\overline{\text{HIZ}}$	$V_{IL} = 0\text{ V}$	-	-	-10 -40	$\mu\text{A}$ $\mu\text{A}$

**Note 6** Peak current - Pulse mode 720 Hz - 0.2%. Duty cycle -  $V_{CC} = 5.5\text{ V} \pm 0.2\text{ V}$ .

**Note 7** Compatible with power dissipation and  $T_{joper} \leq 125^{\circ}\text{C}$ .

**Note 8** See test diagram page 12.

## AC TIMING REQUIREMENTS

( $V_{CC} = 4.5\text{ V to }5.5\text{ V}$ ,  $T_{amb} = -20\text{ to }+85^{\circ}\text{C}$ , input signals max leading edge & trailing edge ( $t_R, t_F$ ) = 10 ns)

Symbol	Parameter	Min.	Typ.	Max.	Unit
$t_{WHCLK}$	Duration of clock (CLK) pulse at high level	40	-	-	ns
$t_{WLCLK}$	Duration of clock (CLK) pulse at low level	40	-	-	ns
$t_{SDAT}$	Set-up Time of data input before clock (low to high) transition	10	-	-	ns
$t_{HDAT}$	Hold Time of data input after clock (low to high) transition	20	-	-	ns
$t_{DSTB}$	Minimum Delay to latch $\overline{STB}$ after clock (low to high) transition	25	-	-	ns
$t_{SSTB}$	Set-up Time $\overline{STB}$ before clock (low to high) transition	10	-	-	ns
$t_{STB}$	Latch $\overline{STB}$ Low Level Pulse Duration	20	-	-	ns
$t_{BLK}$	Blanking (BLK) Pulse Duration	500	-	-	ns
$t_{HIZ}$	High Impedance $\overline{HIZ}$ Pulse Duration	500	-	-	ns

## AC TIMING CHARACTERISTICS

( $V_{CC} = 5\text{ V}$ ,  $V_{PP} = 90\text{ V}$ ,  $V_{SSP} = 0\text{ V}$ ,  $V_{SSLOG} = 0\text{ V}$ ,  $V_{SSSUB} = 0\text{ V}$ ,  $T_{amb} = 25^{\circ}\text{C}$ ,  $V_{ILMax.} = 0.2\text{ V}_{CC}$ ,  $V_{IHMin.} = 0.8\text{ V}_{CC}$ ,  $V_{OH} = 4.0\text{ V}$ ,  $V_{OL} = 0.4\text{ V}$ , unless otherwise specified)

Symbol	Parameter	Min.	Typ.	Max.	Unit
$t_{CLK}$	Data Clock Period	125	-	-	ns
$t_{RDAT}$	Logical Data Output Rise Time	-	12	20	ns
$t_{FDAT}$	Logical Data Output Fall Time	-	10	20	ns
$t_{PHL1}$	Delay of logic data output (high to low transition) after clock (CLK) transition (CL=10pF)	-	37	50	ns
$t_{PLH1}$	Delay of logic data output (low to high transition) after clock (CLK) transition (CL=10 pF)	-	42	60	ns
$t_{PHL2}$	Delay of power output change (high to low transition) after clock (CLK) transition	-	110	180	ns
$t_{PLH2}$	Delay of power output change (low to high transition) after clock (CLK) transition	-	115	180	ns
$t_{PHL3}$	Delay of power output change (high to low transition) after Latch ( $\overline{STB}$ ) transition	-	80	165	ns
$t_{PLH3}$	Delay of power output change (low to high transition) after Latch ( $\overline{STB}$ ) transition	-	95	165	ns
$t_{PHL4}$	Delay of power output change (high to low transition) to blank (BLK) transition	-	75	160	ns
$t_{PLH4}$	Delay of power output change (low to high transition) to blank (BLK) transition	-	75	160	ns
$t_{PHZ5}$	Delay of power output change (high to Hi-Z transition) after high impedance ( $\overline{HIZ}$ )(9)	-	40	160	ns
$t_{PLZ5}$	Delay of power output change (low to Hi-Z transition) after high impedance ( $\overline{HIZ}$ )(9)	-	80	160	ns
$t_{PZH5}$	Delay of power output change (Hi-Z to high transition) after high impedance ( $\overline{HIZ}$ ) (9)	-	75	160	ns
$t_{PZL5}$	Delay of power output change (Hi-Z to low transition) after high impedance ( $\overline{HIZ}$ ) (9)	-	40	160	ns
$t_{ROUT}$	Power Output Rise Time (10)	-	175	350	ns
$t_{FOUT}$	Power Output Fall Time (10)	-	35	150	ns

**Note 9** See test diagram page 12.

**Note 10** One output among 64, loading capacitor  $C_{OUT} = 200\text{pF}$ , other outputs at low level.

Figure 1: AC Characteristics Waveform

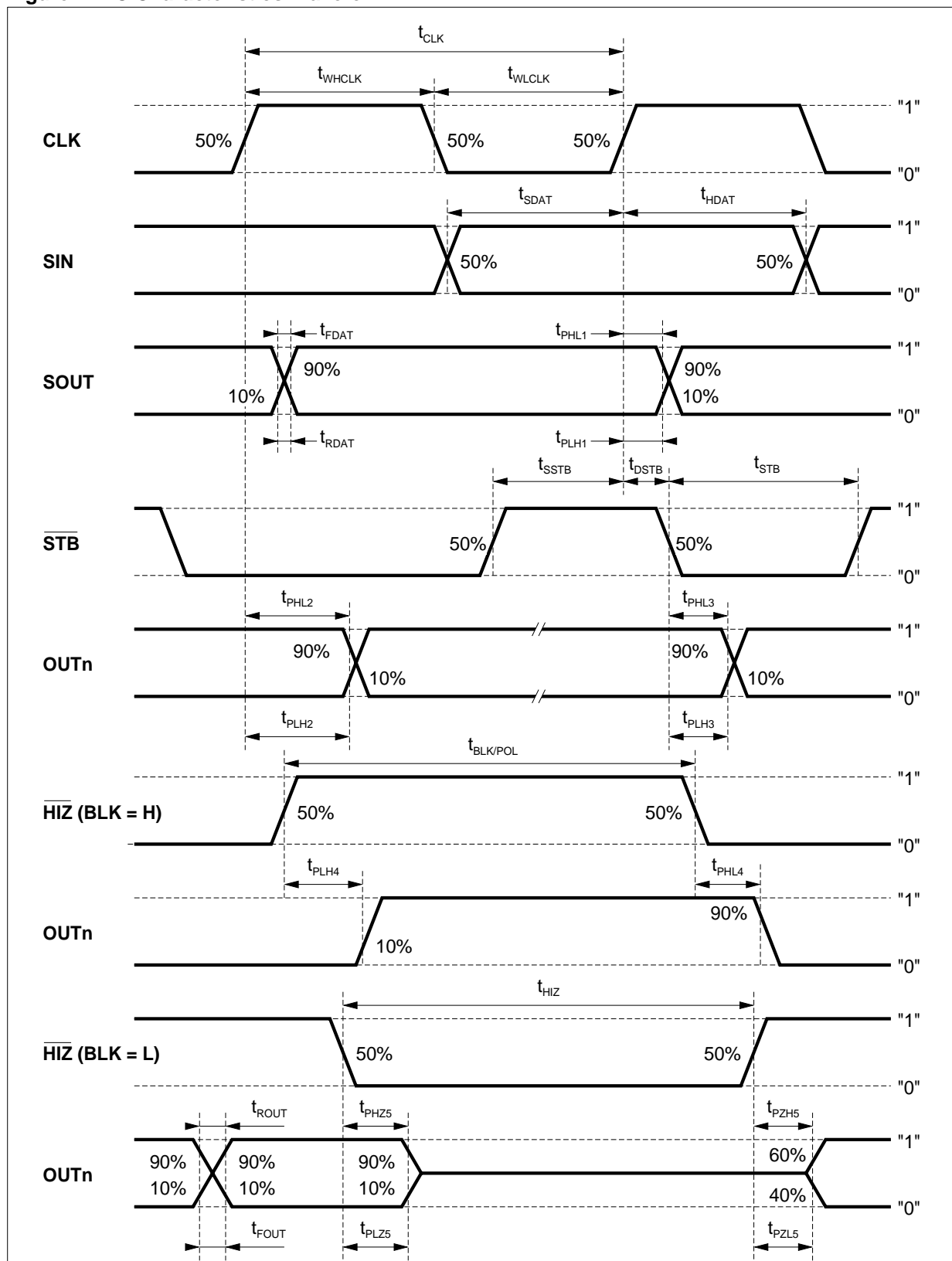
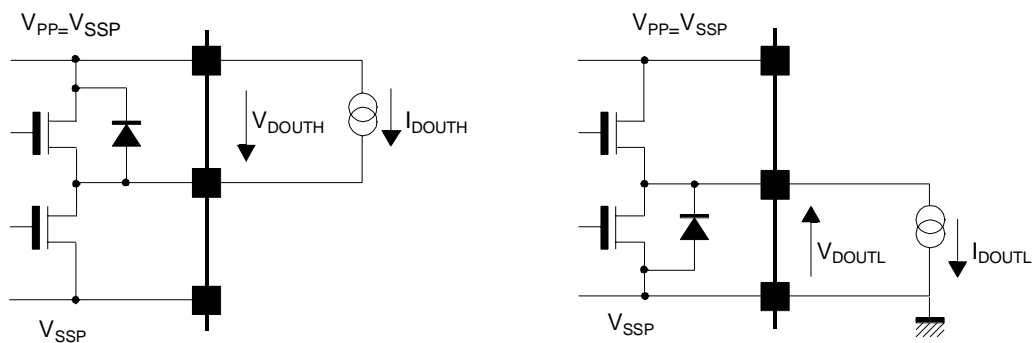
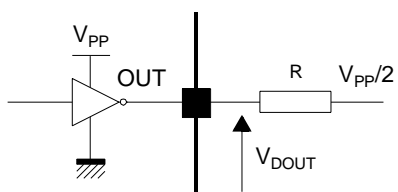


Figure 2: Test Configuration



Output sinking current as positive value, sourcing current as negative value



## INPUT/OUTPUT CHARACTERISTICS

Figure 3: BLK,  $\overline{\text{HIZ}}$  Input

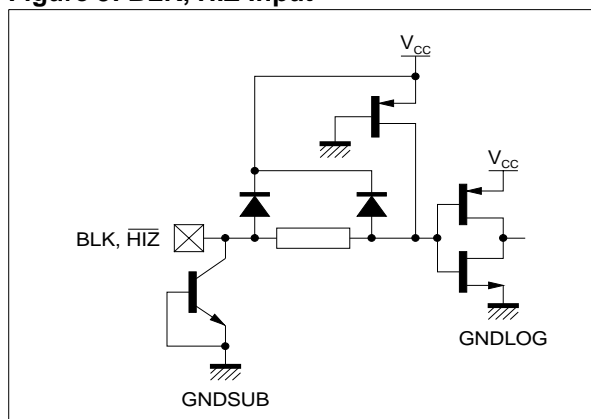


Figure 5: SIN, SOUT Input

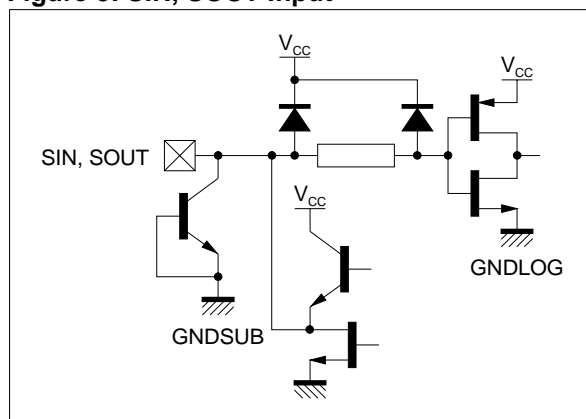


Figure 4:  $\overline{\text{F/R}}$ ,  $\overline{\text{SEL}}$ ,  $\overline{\text{CLK}}$ ,  $\overline{\text{STB}}$  Input

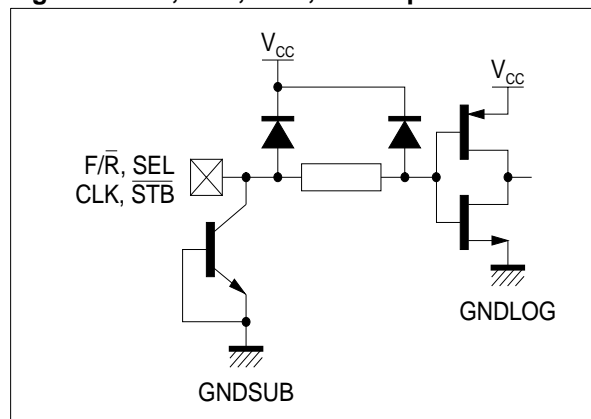
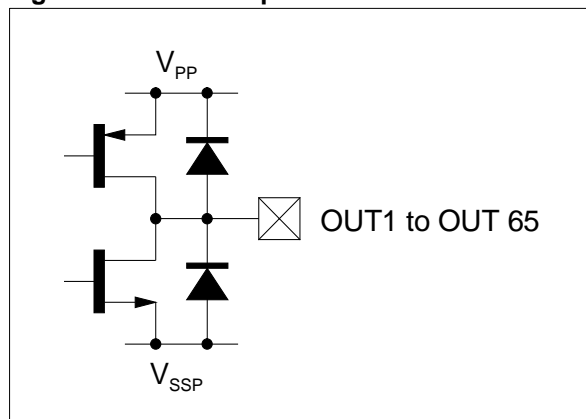
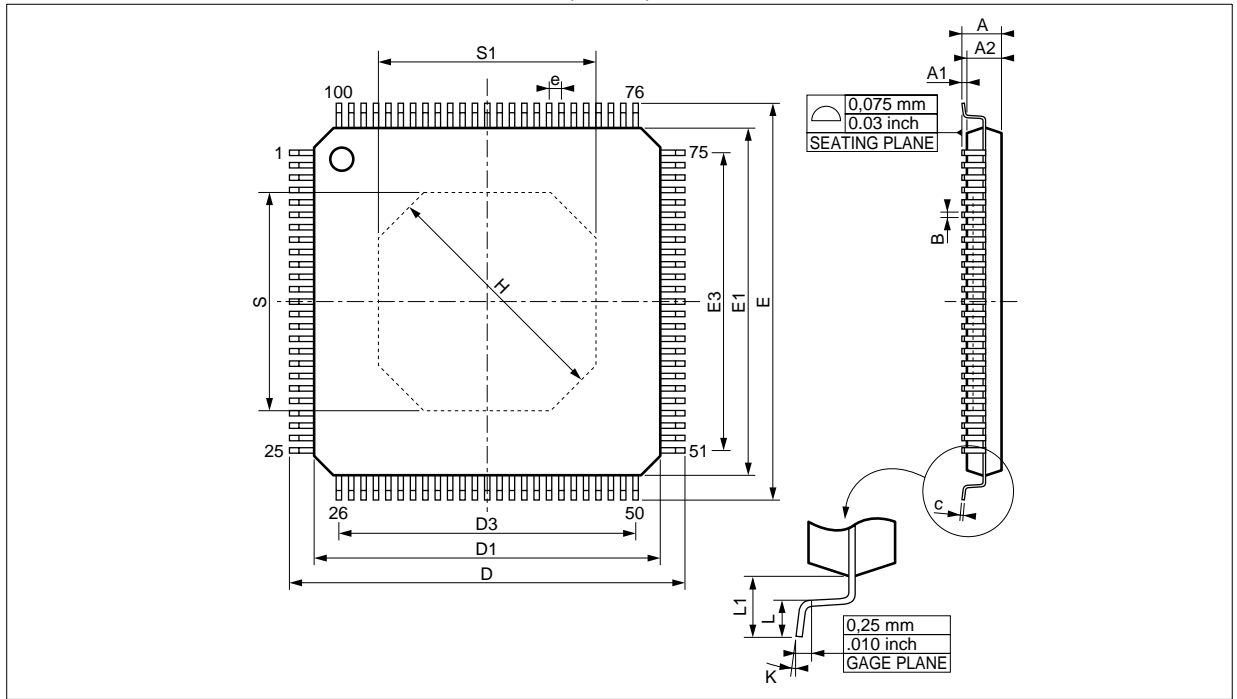


Figure 6: Power Output



**PACKAGE MECHANICAL DATA (SLUG-DOWN)**

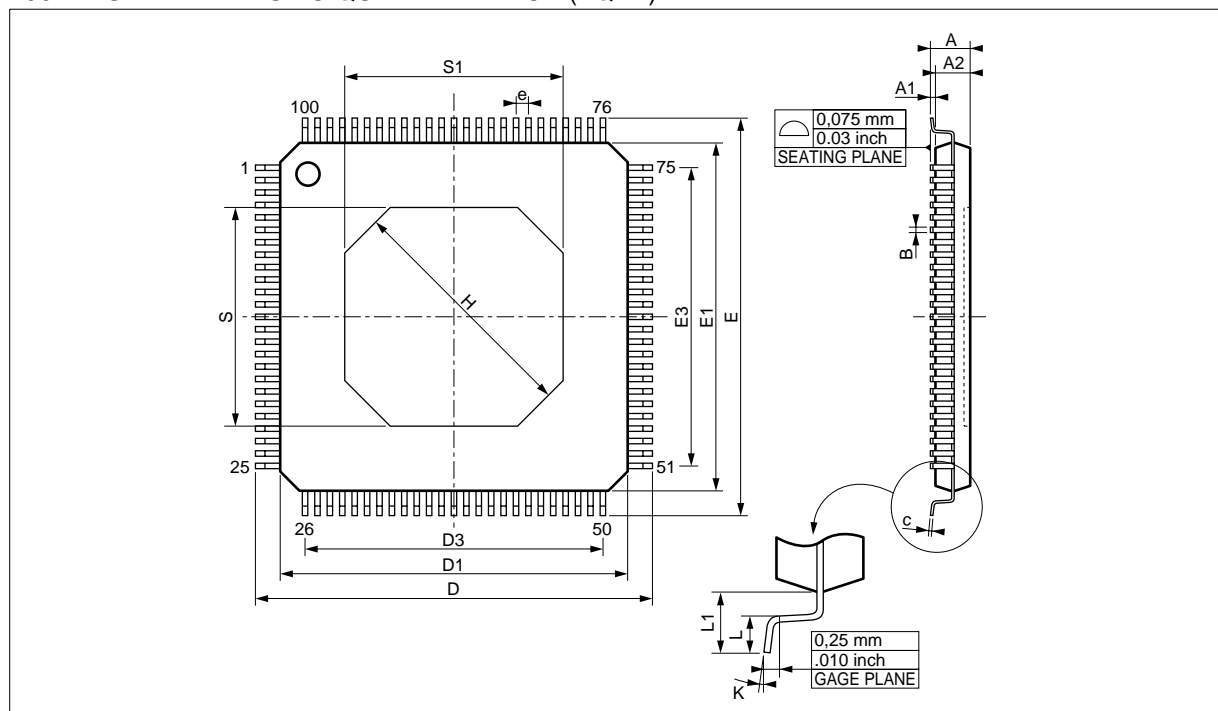
100 PINS - THIN PLASTIC QUAD FLAT PACK (TQFP)



Dimensions	Millimeters			Inches		
	Min.	Typ.	Max.	Min.	Typ.	Max.
A			1.60			0.063
A1	0.05		0.15	0.002		0.006
A2	1.35	1.40	1.45	0.053	0.055	0.057
B	0.17	0.22	0.27	0.007	0.009	0.011
C	0.09		0.20	0.004		0.008
D		16.00			0.630	
D1		14.00			0.551	
D3		12.00			0.472	
e		0.50			0.20	
E		16.00			0.630	
E1		14.00			0.551	
E3		12.00			0.472	
L	0.45	0.60	0.75	0.018	0.024	0.030
L1		1.00			0.039	
K	0° (Min.), 7° (Max.)					
Slug Dimension For L/Frame Pad Size 10.00 x 10.00 mm						
H		9.85			0.388	
S	8.80			0.346		
S1	8.80			0.346		

## PACKAGE MECHANICAL DATA (SLUG-UP)

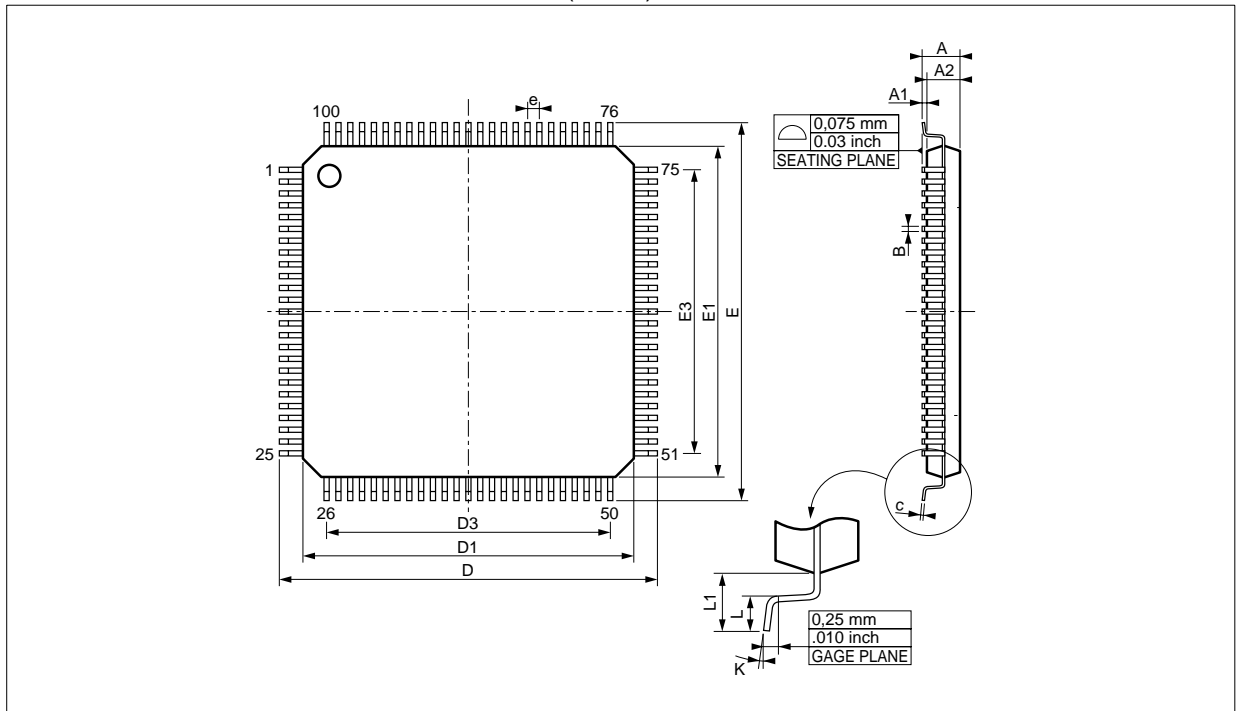
100 PINS - THIN PLASTIC QUAD FLAT PACK (TQFP)



Dimensions	Millimeters			Inches		
	Min.	Typ.	Max.	Min.	Typ.	Max.
A			1.60			0.063
A1	0.05		0.15	0.002		0.006
A2	1.35	1.40	1.45	0.053	0.055	0.057
B	0.17	0.22	0.27	0.007	0.009	0.011
C	0.09		0.20	0.004		0.008
D		16.00			0.630	
D1		14.00			0.551	
D3		12.00			0.472	
e		0.50			0.20	
E		16.00			0.630	
E1		14.00			0.551	
E3		12.00			0.472	
L	0.45	0.60	0.75	0.018	0.024	0.030
L1		1.00			0.039	
K	0° (Min.), 7° (Max.)					
Slug Dimension For L/Frame Pad Size 10.00 x 10.00 mm						
H		9.85			0.388	
S	8.80			0.346		
S1	8.80			0.346		

**PACKAGE MECHANICAL DATA (NO SLUG)**

100 PINS - THIN PLASTIC QUAD FLAT PACK (TQFP)



Dimensions	Millimeters			Inches		
	Min.	Typ.	Max.	Min.	Typ.	Max.
A			1.60			0.063
A1	0.05		0.15	0.002		0.006
A2	1.35	1.40	1.45	0.053	0.055	0.057
B	0.17	0.22	0.27	0.007	0.009	0.011
C	0.09		0.20	0.004		0.008
D		16.00			0.630	
D1		14.00			0.551	
D3		12.00			0.472	
e		0.50			0.20	
E		16.00			0.630	
E1		14.00			0.551	
E3		12.00			0.472	
L	0.45	0.60	0.75	0.018	0.024	0.030
L1		1.00			0.039	
K	0° (Min.), 7° (Max.)					



Information furnished is believed to be accurate and reliable. However, STMicroelectronics assumes no responsibility for the consequences of use of such information nor for any infringement of patents or other rights of third parties which may result from its use. No license is granted by implication or otherwise under any patent or patent rights of STMicroelectronics. Specifications mentioned in this publication are subject to change without notice. This publication supersedes and replaces all information previously supplied. STMicroelectronics products are not authorized for use as critical components in life support devices or systems without express written approval of STMicroelectronics.

The ST logo is a registered trademark of STMicroelectronics

© 2003 STMicroelectronics - All Rights Reserved

STMicroelectronics GROUP OF COMPANIES

Australia - Brazil - Canada - China - Finland - France - Germany - Hong Kong - India - Israel - Italy - Japan  
Malaysia - Malta - Morocco - Singapore - Spain - Sweden - Switzerland - United Kingdom - U.S.A.

[www.st.com](http://www.st.com)