

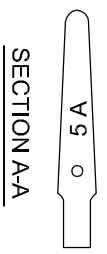
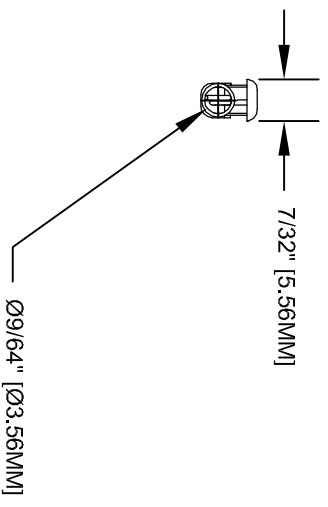
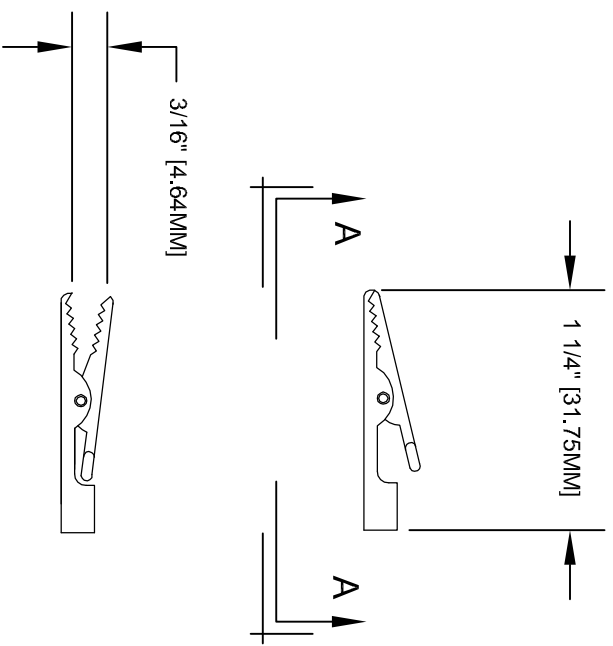
SPECLEADS
by Silvertronix

This drawing is not to be disclosed to a third party without the authority from the company ©

Date	8-22-09	DRN BY	MEA	TITLE	MINIATURE ALLIGATOR CLIP W/ BARREL
MAT'L	STEEL	SCALE	NONE	CURRENT RATING:	5 AMP

ISSUE NO.	
8-22-09	0
9-12-09	1

PART NO.	501795
PROJ. NO.	



FINISH: NICKEL PLATED

ASSEMBLY NO.	PACKAGING :	PRINTING AS ILLUSTRATED	CONCENTRICITY:	ANGLES
--------------	-------------	-------------------------	----------------	--------