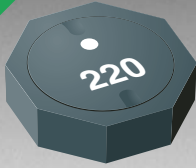


*RoHS COMPLIANT



BOURNS®

Features

- Available in E6 series
- Unit height of 2.8 mm
- Current up to 4.5 A
- Lead free
- RoHS compliant*

Applications

- Input/output of DC/DC converters
- Power supplies for:
 - Portable communication equipment
 - Camcorders
 - LCD TVs
 - Car radios

SRU8028 Series - Shielded SMD Power Inductors

Electrical Specifications

Bourns Part No.	Inductance 100 KHz		Q Ref.	Test Frequency (MHz)	SRF Min. (MHz)	RDC (mΩ)	I rms Max. (A)	I sat Typ. (A)
	(μH)	Tol. %						
SRU8028-2R5Y	2.5	± 30	15	7.96	65.0	13.6	4.50	4.20
SRU8028-3R3Y	3.3	± 30	12	7.96	60.0	17.5	3.60	3.50
SRU8028-4R7Y	4.7	± 30	15	7.96	50.0	20.0	3.70	3.20
SRU8028-6R8Y	6.8	± 30	13	7.96	40.0	34.0	2.80	2.50
SRU8028-100Y	10.0	± 30	22	2.52	35.0	45.0	2.60	2.20
SRU8028-150Y	15.0	± 30	20	2.52	25.0	66.0	2.00	1.70
SRU8028-220Y	22.0	± 30	22	2.52	20.0	106.0	1.60	1.50
SRU8028-330Y	33.0	± 30	20	2.52	15.0	147.0	1.30	1.10
SRU8028-470Y	47.0	± 30	14	2.52	12.0	177.0	1.20	1.00
SRU8028-680Y	68.0	± 30	23	2.52	9.0	317.0	0.85	0.80
SRU8028-101Y	100.0	± 30	35	0.796	8.0	390.0	0.75	0.70

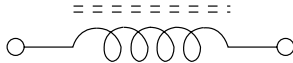
General Specifications

Test Voltage.....1 V
 Reflow Soldering ...230 °C, 50 sec. max.
 Operating Temperature -40 °C to +125 °C
 (Temperature rise included)
 Storage Temperature..-40 °C to +125 °C
 Resistance to Soldering Heat
260 °C for 10 sec.

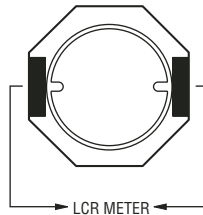
Materials

Core.....Ferrite DR and RI core
 Wire.....Enameled copper
 Base.....LCP E4008
 Terminal.....Ag/Ni/Sn
 Rated Current
Ind. drop 35 % typ. at Isat
 Temperature Rise
40 °C max. at rated I_{rms}
 Packaging.....1500 pcs. per reel

Electrical Schematic

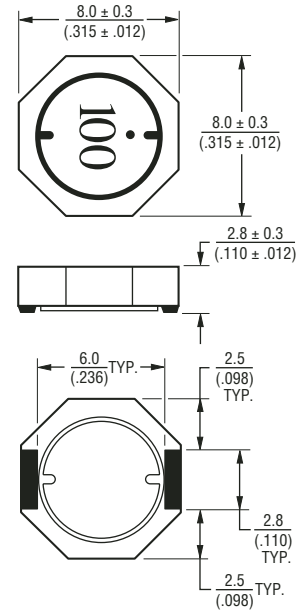


Inductor Connection

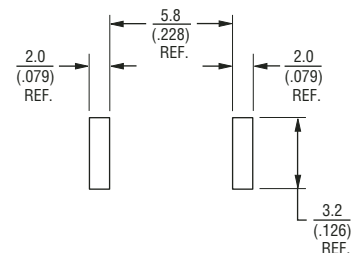


DIMENSIONS: $\frac{\text{MM}}{\text{(INCHES)}}$

Product Dimensions



Recommended Layout

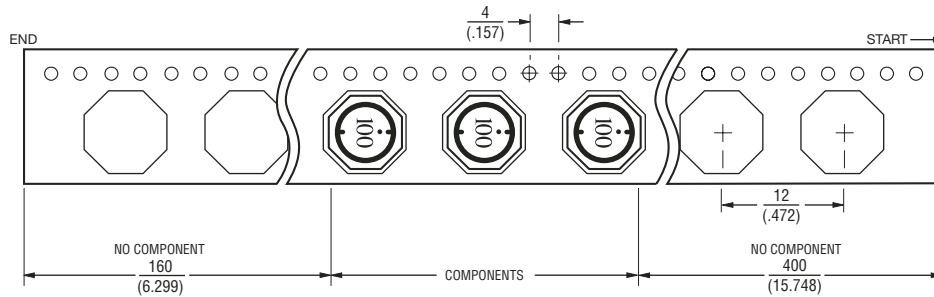
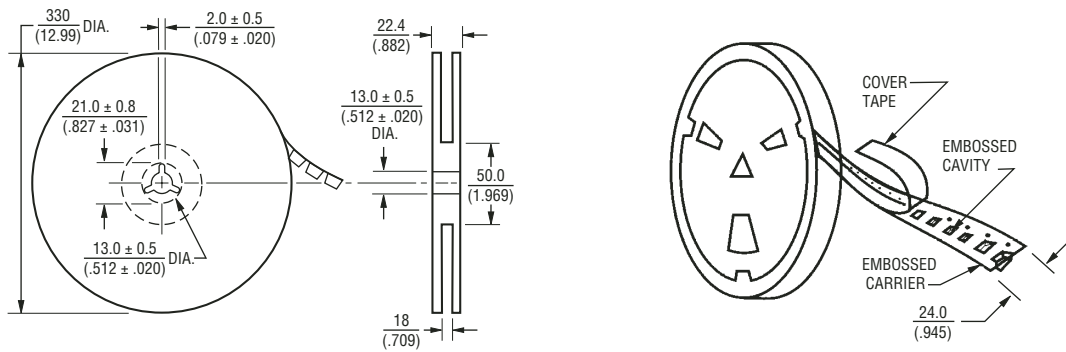


*RoHS Directive 2002/95/EC Jan 27 2003 including Annex
 Specifications are subject to change without notice.
 Customers should verify actual device performance in their specific applications.

SRU8028 Series - Shielded SMD Power Inductors

BOURNS®

Packaging Specifications



USER DIRECTION OF FEED →

QTY: 1,500 PCS. PER REEL

DIMENSIONS: $\frac{\text{MM}}{\text{(INCHES)}}$