

**PLEASE CHECK WWW.MOLEX.COM FOR LATEST PART INFORMATION**

**Part Number:** **0528304425**  
**Status:** **Obsolete**  
**Overview:** modular\_plugs\_jacks  
**Description:** Modular Jack, Right Angle, 4/4

**Documents:**  
[Drawing \(PDF\)](#)

**Agency Certification**

CSA	LR19980
UL	E107635

**General**

Product Family	Modular Jacks/Plugs
Series	<u>52830</u>
Comments	Beveled Metal Pins
Component Type	PCB Jack
Magnetic	No
Overview	<u>modular_plugs_jacks</u>
Performance Category	3
Power over Ethernet (PoE)	N/A
Product Name	RJ11

**Physical**

Boot Color	N/A
Durability (mating cycles max)	200
Flammability	94V-0
Inverted / Top Latch	No
Lightpipes/LEDs	None
Material - Metal	Phosphor Bronze
Material - Plating Mating	Gold
Material - Plating Termination	Tin-Lead
Material - Resin	Polyester
Orientation	Right Angle (Side Entry)
PCB Locator	Yes
PCB Retention	Yes
PCB Thickness - Recommended	1.60mm (.063")
Packaging Type	Tray
Ports	1
Positions / Loaded Contacts	4/4
Surface Mount Compatible (SMC)	No
Temperature Range - Operating	-40°C to +80°C
Termination Interface: Style	Through Hole
Waterproof / Dustproof	No
Wire/Cable Type	N/A

**Electrical**

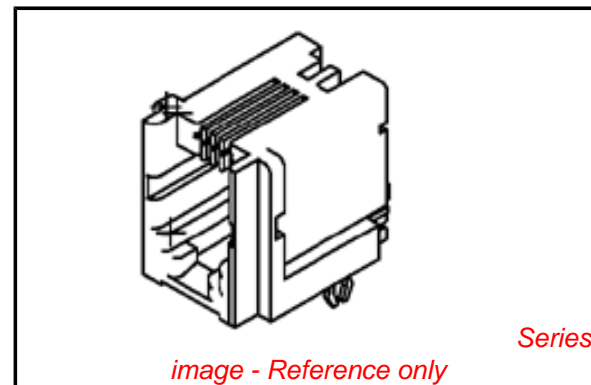
Current - Maximum per Contact	1.2A
Shielded	No
Voltage - Maximum	125V AC (RMS)/DC

**Solder Process Data**

Replacement RoHS Compliant Part Number	None
--	------

**Material Info**

**Reference - Drawing Numbers**



**EU RoHS**

**Not RoHS Compliant**  
**REACH SVHC**  
**Contains SVHC: No**  
**Low-Halogen Status**  
**Low-Halogen**

**China RoHS**



**Need more information on product environmental compliance?**

Email [productcompliance@molex.com](mailto:productcompliance@molex.com)  
 For a multiple part number RoHS Certificate of Compliance, [click here](#)

Please visit the [Contact Us](#) section for any non-product compliance questions.

**Search Parts in this Series**

52830Series

**Mates With**

FCC 68 Plugs

This document was generated on 05/18/2011

**PLEASE CHECK [WWW.MOLEX.COM](http://WWW.MOLEX.COM) FOR LATEST PART INFORMATION**