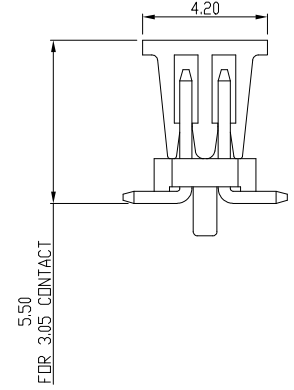
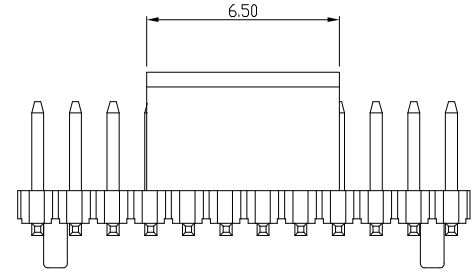
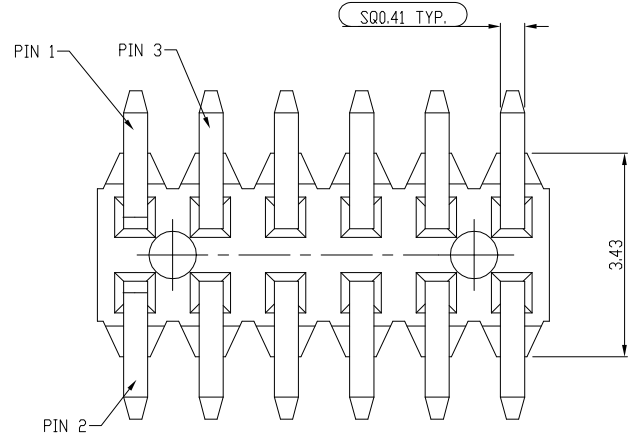
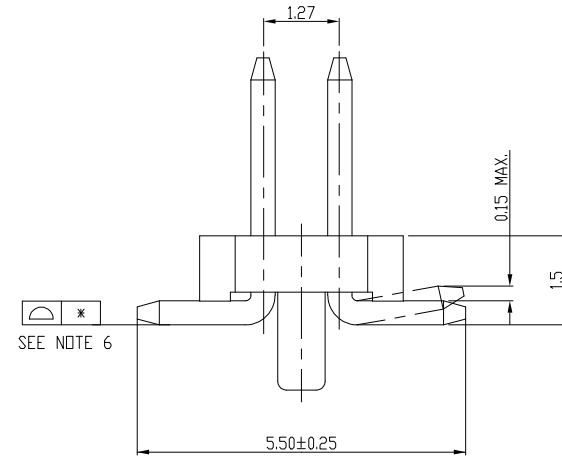
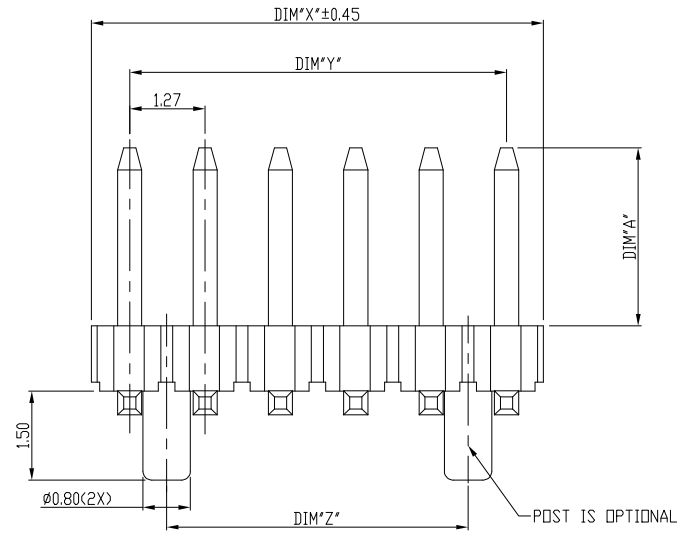


PART NO.
20021121



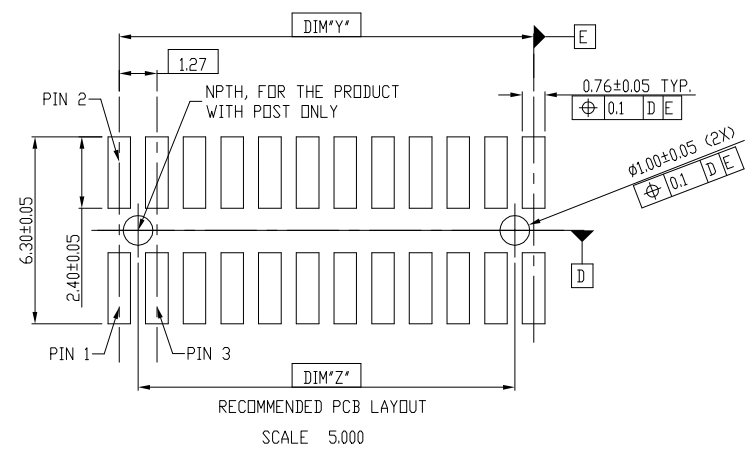
PRODUCT WITH CAP

- NOTES:
 1.MATERIAL:
 HOUSING: HIGH TEMPERATURE THERMOPLASTIC, UL94-V0 BLACK.
 TERMINAL: COPPER ALLOY
 2.THE HOUSING WILL WITHSTAND EXPOSURE TO 260°C PEAK TEMPERATURE FOR 10 SECONDS IN A CONVECTION INFRA-RED OR VAPOR PHASE REFLOW OVEN.
 3.THIS PRODUCT MEETS EUROPEAN UNION DIRECTIVES AND OTHER COUNTRY REGULATIONS AS DESCRIBED IN GS-22-008.
 4.PRODUCT SPEC: GS-12-629
 5.PACKAGE SPEC: GS-14-1420
 6.04~38 PDS: 0.1mm
 40~100 PDS: 0.14mm

| | | | | | | | | | |
|-------------|--|--------------------|--|----------------------------|--|--------------|--|-------------------------------|--|
| mat'l. code | | surface ISO 1302 ✓ | | tolerance ISO 406 ISO 1101 | | projection | | product family | |
| ltr | | ecn no | | dr | | date | | MINITEK127® | |
| L | | ELX-N-23548 | | TIM | | 03/21/16 | | title | |
| M | | ELX-N-23949 | | TIM | | 04/26/16 | | UNSHROUDED HDR VT SMT | |
| N | | ELX-N-28817 | | TONY | | 12/18/17 | | scale 1:1 | |
| dr | | ZK HU | | 8/1/12 | | Amphenol FCI | | dwg no | |
| engr | | ZK HU | | 8/1/12 | | | | sheet 1 of 2 | |
| chr | | BIAN RICK | | 8/1/12 | | | | 20021121 | |
| appd | | BIAN RICK | | 8/1/12 | | | | size | |
| sheet index | | revision sheet | | N 1 | | N 2 | | A3 | |
| | | | | | | | | type Product Customer Drawing | |

| PART NO. | POS. | DIM*X" | DIM*Y" | DIM*Z" |
|--------------------|--------|--------|--------|--------|
| 20021121-X0X04XLLF | 2 X 2 | 2.54 | 1.27 | 0 |
| 20021121-X0X06XLLF | 2 X 3 | 3.81 | 2.54 | 1.27 |
| 20021121-X0X08XLLF | 2 X 4 | 5.08 | 3.81 | 2.54 |
| 20021121-X0X10XLLF | 2 X 5 | 6.35 | 5.08 | 3.81 |
| 20021121-X0X12XLLF | 2 X 6 | 7.62 | 6.35 | 5.08 |
| 20021121-X0X14XLLF | 2 X 7 | 8.89 | 7.62 | 6.35 |
| 20021121-X0X16XLLF | 2 X 8 | 10.16 | 8.89 | 7.62 |
| 20021121-X0X18XLLF | 2 X 9 | 11.43 | 10.16 | 8.89 |
| 20021121-X0X20XLLF | 2 X 10 | 12.70 | 11.43 | 10.16 |
| 20021121-X0X22XLLF | 2 X 11 | 13.97 | 12.70 | 11.43 |
| 20021121-X0X24XLLF | 2 X 12 | 15.24 | 13.97 | 12.70 |
| 20021121-X0X26XLLF | 2 X 13 | 16.51 | 15.24 | 13.97 |
| 20021121-X0X28XLLF | 2 X 14 | 17.78 | 16.51 | 15.24 |
| 20021121-X0X30XLLF | 2 X 15 | 19.05 | 17.78 | 16.51 |
| 20021121-X0X32XLLF | 2 X 16 | 20.32 | 19.05 | 17.78 |
| 20021121-X0X34XLLF | 2 X 17 | 21.59 | 20.32 | 19.05 |
| 20021121-X0X36XLLF | 2 X 18 | 22.86 | 21.59 | 20.32 |
| 20021121-X0X38XLLF | 2 X 19 | 24.13 | 22.86 | 21.59 |
| 20021121-X0X40XLLF | 2 X 20 | 25.40 | 24.13 | 22.86 |
| 20021121-X0X42XLLF | 2 X 21 | 26.67 | 25.40 | 24.13 |
| 20021121-X0X44XLLF | 2 X 22 | 27.94 | 26.67 | 25.40 |
| 20021121-X0X46XLLF | 2 X 23 | 29.21 | 27.94 | 26.67 |
| 20021121-X0X48XLLF | 2 X 24 | 30.48 | 29.21 | 27.94 |
| 20021121-X0X50XLLF | 2 X 25 | 31.75 | 30.48 | 29.21 |
| 20021121-X0X52XLLF | 2 X 26 | 33.02 | 31.75 | 30.48 |
| 20021121-X0X54XLLF | 2 X 27 | 34.29 | 33.02 | 31.75 |
| 20021121-X0X56XLLF | 2 X 28 | 35.56 | 34.29 | 33.02 |
| 20021121-X0X58XLLF | 2 X 29 | 36.83 | 35.56 | 34.29 |
| 20021121-X0X60XLLF | 2 X 30 | 38.10 | 36.83 | 35.56 |
| 20021121-X0X62XLLF | 2 X 31 | 39.37 | 38.10 | 36.83 |
| 20021121-X0X64XLLF | 2 X 32 | 40.64 | 39.37 | 38.10 |
| 20021121-X0X66XLLF | 2 X 33 | 41.91 | 40.64 | 39.37 |
| 20021121-X0X68XLLF | 2 X 34 | 43.18 | 41.91 | 40.64 |
| 20021121-X0X70XLLF | 2 X 35 | 44.45 | 43.18 | 41.91 |
| 20021121-X0X72XLLF | 2 X 36 | 45.72 | 44.45 | 43.18 |
| 20021121-X0X74XLLF | 2 X 37 | 46.99 | 45.72 | 44.45 |
| 20021121-X0X76XLLF | 2 X 38 | 48.26 | 46.99 | 45.72 |
| 20021121-X0X78XLLF | 2 X 39 | 49.53 | 48.26 | 46.99 |
| 20021121-X0X80XLLF | 2 X 40 | 50.80 | 49.53 | 48.26 |
| 20021121-X0X82XLLF | 2 X 41 | 52.07 | 50.80 | 49.53 |
| 20021121-X0X84XLLF | 2 X 42 | 53.34 | 52.07 | 50.80 |
| 20021121-X0X86XLLF | 2 X 43 | 54.61 | 53.34 | 52.07 |
| 20021121-X0X88XLLF | 2 X 44 | 55.88 | 54.61 | 53.34 |
| 20021121-X0X90XLLF | 2 X 45 | 57.15 | 55.88 | 54.61 |

| PART NO. | POS. | DIM*X" | DIM*Y" | DIM*Z" |
|--------------------|--------|--------|--------|--------|
| 20021121-X0X92XLLF | 2 X 46 | 58.42 | 57.15 | 55.88 |
| 20021121-X0X94XLLF | 2 X 47 | 59.69 | 58.42 | 57.15 |
| 20021121-X0X96XLLF | 2 X 48 | 60.96 | 59.69 | 58.42 |
| 20021121-X0X98XLLF | 2 X 49 | 62.23 | 60.96 | 59.69 |
| 20021121-X0XA0XLLF | 2 X 50 | 63.50 | 62.23 | 60.96 |



20021121-X X X XX X X L F

- LEAD FREE
- PLATING ON CONTACT AREA
 - 1: GOLD FLASH AT CONTACT, 1.27um MIN. MATTE TIN AT TAIL
 - 2: GOLD FLASH AT CONTACT, GOLD FLASH AT TAIL
 - 4: 0.25um Au MIN. AT CONTACT, 1.27um MIN.MATTE TIN AT TAIL
 - 5: 0.25um Au MIN. AT CONTACT, GOLD FLASH AT TAIL
 - 6: 0.38um GXT MIN. AT CONTACT, 1.27um MIN.MATTE TIN AT TAIL
 - 7: 0.38um GXT MIN. AT CONTACT, GOLD FLASH AT TAIL
 - 8: 0.76um GXT MIN. AT CONTACT, 1.27um MIN.MATTE TIN AT TAIL
 - 9: 0.76um GXT MIN. AT CONTACT, GOLD FLASH AT TAIL
- PACKING STYLE
 - T: TUBE
 - D: TUBE + CAP
 - C: TAPE & REEL + CAP
- PIN NO. SEE TABLE
- MATING LENGTH(DIM*A")
 - 0: 3.05MM
- RESERVE CODE
 - 0: STANDARD
- POST OPTION
 - 0: WITHOUT POST
 - 1: WITH POST

Amphenol FCI

© 2016 AFCI

| | | | | | | | | | |
|-------------|--|--|--|---|--|---|--|--------------------------|--|
| mat'l. code | | surface <input checked="" type="checkbox"/> ISO 1302 | | tolerance <input checked="" type="checkbox"/> ISO 406 | | projection <input checked="" type="checkbox"/> ISO 1101 | | product family | |
| ltr | | ecn no | | dr | | date | | MINITEK127® | |
| N | | | | | | | | title | |
| | | | | | | | | UNSHROUDED HDR VT SMT | |
| | | | | | | | | dwg no | |
| | | | | | | | | sheet 2 of 2 | |
| | | | | | | | | size | |
| | | | | | | | | A3 | |
| | | | | | | | | type | |
| | | | | | | | | Product Customer Drawing | |
| sheet index | | revision sheet | | N N | | 1 2 | | | |