

## **1. Overview**

### **1.1 Features**

The R8C/2K Group and R8C/2L Group of single-chip MCUs incorporates the R8C/Tiny Series CPU core, employing sophisticated instructions for a high level of efficiency. With 1 Mbyte of address space, and it is capable of executing instructions at high speed. In addition, the CPU core boasts a multiplier for high-speed operation processing.

Power consumption is low, and the supported operating modes allow additional power control. These MCUs also use an anti-noise configuration to reduce emissions of electromagnetic noise and are designed to withstand EMI.

Integration of many peripheral functions, including multifunction timer and serial interface, reduces the number of system components.

Furthermore, the R8C/2L Group has on-chip data flash (1 KB × 2 blocks).

The difference between the R8C/2K Group and R8C/2L Group is only the presence or absence of data flash. Their peripheral functions are the same.

#### **1.1.1 Applications**

Electronic household appliances, office equipment, audio equipment, consumer equipment, etc.

## 1.1.2 Specifications

Tables 1.1 and 1.2 outlines the Specifications for R8C/2K Group and Tables 1.3 and 1.4 outlines the Specifications for R8C/2L Group.

**Table 1.1 Specifications for R8C/2K Group (1)**

Item	Function	Specification
CPU	Central processing unit	R8C/Tiny series core <ul style="list-style-type: none"> <li>• Number of fundamental instructions: 89</li> <li>• Minimum instruction execution time:               <ul style="list-style-type: none"> <li>50 ns (f(XIN) = 20 MHz, VCC = 3.0 to 5.5 V)</li> <li>100 ns (f(XIN) = 10 MHz, VCC = 2.7 to 5.5 V)</li> <li>200 ns (f(XIN) = 5 MHz, VCC = 2.2 to 5.5 V)</li> </ul> </li> <li>• Multiplier: 16 bits × 16 bits → 32 bits</li> <li>• Multiply-accumulate instruction: 16 bits × 16 bits + 32 bits → 32 bits</li> <li>• Operation mode: Single-chip mode (address space: 1 Mbyte)</li> </ul>
Memory	ROM, RAM	Refer to <b>Table 1.5 Product List for R8C/2K Group</b> .
Power Supply Voltage Detection	Voltage detection circuit	<ul style="list-style-type: none"> <li>• Power-on reset</li> <li>• Voltage detection 3</li> </ul>
I/O Ports	Programmable I/O ports	<ul style="list-style-type: none"> <li>• Input-only: 3 pins</li> <li>• CMOS I/O ports: 25, selectable pull-up resistor</li> <li>• High current drive ports: 8</li> </ul>
Clock	Clock generation circuits	2 circuits: XIN clock oscillation circuit (with on-chip feedback resistor), On-chip oscillator (high-speed, low-speed) (high-speed on-chip oscillator has a frequency adjustment function) <ul style="list-style-type: none"> <li>• Oscillation stop detection: XIN clock oscillation stop detection function</li> <li>• Frequency divider circuit: Dividing selectable 1, 2, 4, 8, and 16</li> <li>• Low power consumption modes:               <ul style="list-style-type: none"> <li>Standard operating mode (high-speed clock, high-speed on-chip oscillator, low-speed on-chip oscillator), wait mode, stop mode</li> </ul> </li> </ul>
Interrupts		<ul style="list-style-type: none"> <li>• External: 4 sources, Internal: 15 sources, Software: 4 sources</li> <li>• Priority levels: 7 levels</li> </ul>
Watchdog Timer		15 bits × 1 (with prescaler), reset start selectable
Timer	Timer RA	8 bits × 1 (with 8-bit prescaler) Timer mode (period timer), pulse output mode (output level inverted every period), event counter mode, pulse width measurement mode, pulse period measurement mode
	Timer RB	8 bits × 1 (with 8-bit prescaler) Timer mode (period timer), programmable waveform generation mode (PWM output), programmable one-shot generation mode, programmable wait one-shot generation mode
	Timer RC	16 bits × 1 (with 4 capture/compare registers) Timer mode (input capture function, output compare function), PWM mode (output 3 pins), PWM2 mode (PWM output pin)
	Timer RD	16 bits × 2 (with 4 capture/compare registers) Timer mode (input capture function, output compare function), PWM mode (output 6 pins), reset synchronous PWM mode (output three-phase waveforms (6 pins), sawtooth wave modulation), complementary PWM mode (output three-phase waveforms (6 pins), triangular wave modulation), PWM3 mode (PWM output 2 pins with fixed period)

**Table 1.2 Specifications for R8C/2K Group (2)**

Item	Function	Specification
Serial Interface	UART0, UART2	Clock synchronous serial I/O/UART x 2
LIN Module		Hardware LIN: 1 (timer RA, UART0)
A/D Converter		10-bit resolution x 9 channels, includes sample and hold function
Flash Memory		<ul style="list-style-type: none"> <li>• Programming and erasure voltage: VCC = 2.7 to 5.5 V</li> <li>• Programming and erasure endurance: 100 times</li> <li>• Program security: ROM code protect, ID code check</li> <li>• Debug functions: On-chip debug, on-board flash rewrite function</li> </ul>
Operating Frequency/Supply Voltage		f(XIN) = 20 MHz (VCC = 3.0 to 5.5 V) f(XIN) = 10 MHz (VCC = 2.7 to 5.5 V) f(XIN) = 5 MHz (VCC = 2.2 to 5.5 V) (VCC = 2.7 to 5.5 V for A/D converter only)
Current consumption		Typ. 10 mA (VCC = 5.0 V, f(XIN) = 20 MHz) Typ. 6 mA (VCC = 3.0 V, f(XIN) = 10 MHz) Typ. 23 $\mu$ A (VCC = 3.0 V, wait mode, low-speed on-chip oscillator used) Typ. 0.7 $\mu$ A (VCC = 3.0 V, stop mode)
Operating Ambient Temperature		-20 to 85°C (N version) -40 to 85°C (D version) <sup>(1)</sup> -20 to 105°C (Y version) <sup>(2)</sup>
Package		32-pin LQFP <ul style="list-style-type: none"> <li>• Package code: PLQP0032GB-A (previous code: 32P6U-A)</li> </ul>

## NOTES:

1. Specify the D version if D version functions are to be used.
2. Please contact Renesas Technology sales offices for the Y version.

**Table 1.3 Specifications for R8C/2L Group (1)**

Item	Function	Specification
CPU	Central processing unit	R8C/Tiny series core <ul style="list-style-type: none"> <li>• Number of fundamental instructions: 89</li> <li>• Minimum instruction execution time: <ul style="list-style-type: none"> <li>50 ns (f(XIN) = 20 MHz, VCC = 3.0 to 5.5 V)</li> <li>100 ns (f(XIN) = 10 MHz, VCC = 2.7 to 5.5 V)</li> <li>200 ns (f(XIN) = 5 MHz, VCC = 2.2 to 5.5 V)</li> </ul> </li> <li>• Multiplier: 16 bits × 16 bits → 32 bits</li> <li>• Multiply-accumulate instruction: 16 bits × 16 bits + 32 bits → 32 bits</li> <li>• Operation mode: Single-chip mode (address space: 1 Mbyte)</li> </ul>
Memory	ROM, RAM	Refer to <b>Table 1.6 Product List for R8C/2L Group</b> .
Power Supply Voltage Detection	Voltage detection circuit	<ul style="list-style-type: none"> <li>• Power-on reset</li> <li>• Voltage detection 3</li> </ul>
I/O Ports	Programmable I/O ports	<ul style="list-style-type: none"> <li>• Input-only: 3 pins</li> <li>• CMOS I/O ports: 25, selectable pull-up resistor</li> <li>• High current drive ports: 8</li> </ul>
Clock	Clock generation circuits	<p>2 circuits: XIN clock oscillation circuit (with on-chip feedback resistor), On-chip oscillator (high-speed, low-speed) (high-speed on-chip oscillator has a frequency adjustment function)</p> <ul style="list-style-type: none"> <li>• Oscillation stop detection: XIN clock oscillation stop detection function</li> <li>• Frequency divider circuit: Dividing selectable 1, 2, 4, 8, and 16</li> <li>• Low power consumption modes: <ul style="list-style-type: none"> <li>Standard operating mode (high-speed clock, high-speed on-chip oscillator, low-speed on-chip oscillator), wait mode, stop mode</li> </ul> </li> </ul>
Interrupts		<ul style="list-style-type: none"> <li>• External: 4 sources, Internal: 15 sources, Software: 4 sources</li> <li>• Priority levels: 7 levels</li> </ul>
Watchdog Timer		15 bits × 1 (with prescaler), reset start selectable
Timer	Timer RA	8 bits × 1 (with 8-bit prescaler) Timer mode (period timer), pulse output mode (output level inverted every period), event counter mode, pulse width measurement mode, pulse period measurement mode
	Timer RB	8 bits × 1 (with 8-bit prescaler) Timer mode (period timer), programmable waveform generation mode (PWM output), programmable one-shot generation mode, programmable wait one-shot generation mode
	Timer RC	16 bits × 1 (with 4 capture/compare registers) Timer mode (input capture function, output compare function), PWM mode (output 3 pins), PWM2 mode (PWM output pin)
	Timer RD	16 bits × 2 (with 4 capture/compare registers) Timer mode (input capture function, output compare function), PWM mode (output 6 pins), reset synchronous PWM mode (output three-phase waveforms (6 pins), sawtooth wave modulation), complementary PWM mode (output three-phase waveforms (6 pins), triangular wave modulation), PWM3 mode (PWM output 2 pins with fixed period)

**Table 1.4 Specifications for R8C/2L Group (2)**

Item	Function	Specification
Serial Interface	UART0, UART2	Clock synchronous serial I/O/UART x 2
LIN Module		Hardware LIN: 1 (timer RA, UART0)
A/D Converter		10-bit resolution x 9 channels, includes sample and hold function
Flash Memory		<ul style="list-style-type: none"> <li>• Programming and erasure voltage: VCC = 2.7 to 5.5 V</li> <li>• Programming and erasure endurance: 10,000 times (data flash) 1,000 times (program ROM)</li> <li>• Program security: ROM code protect, ID code check</li> <li>• Debug functions: On-chip debug, on-board flash rewrite function</li> </ul>
Operating Frequency/Supply Voltage		f(XIN) = 20 MHz (VCC = 3.0 to 5.5 V) f(XIN) = 10 MHz (VCC = 2.7 to 5.5 V) f(XIN) = 5 MHz (VCC = 2.2 to 5.5 V) (VCC = 2.7 to 5.5 V for A/D converter only)
Current consumption		Typ. 10 mA (VCC = 5.0 V, f(XIN) = 20 MHz) Typ. 6 mA (VCC = 3.0 V, f(XIN) = 10 MHz) Typ. 23 $\mu$ A (VCC = 3.0 V, wait mode, low-speed on-chip oscillator used) Typ. 0.7 $\mu$ A (VCC = 3.0 V, stop mode)
Operating Ambient Temperature		-20 to 85°C (N version) -40 to 85°C (D version) <sup>(1)</sup> -20 to 105°C (Y version) <sup>(2)</sup>
Package		32-pin LQFP • Package code: PLQP0032GB-A (previous code: 32P6U-A)

## NOTES:

1. Specify the D version if D version functions are to be used.
2. Please contact Renesas Technology sales offices for the Y version.

## 1.2 Product List

Table 1.5 lists the Product List for R8C/2K Group, Figure 1.1 shows a Part Number, Memory Size, and Package of R8C/2K Group, Table 1.6 lists the Product List for R8C/2L Group, and Figure 1.2 shows a Part Number, Memory Size, and Package of R8C/2L Group.

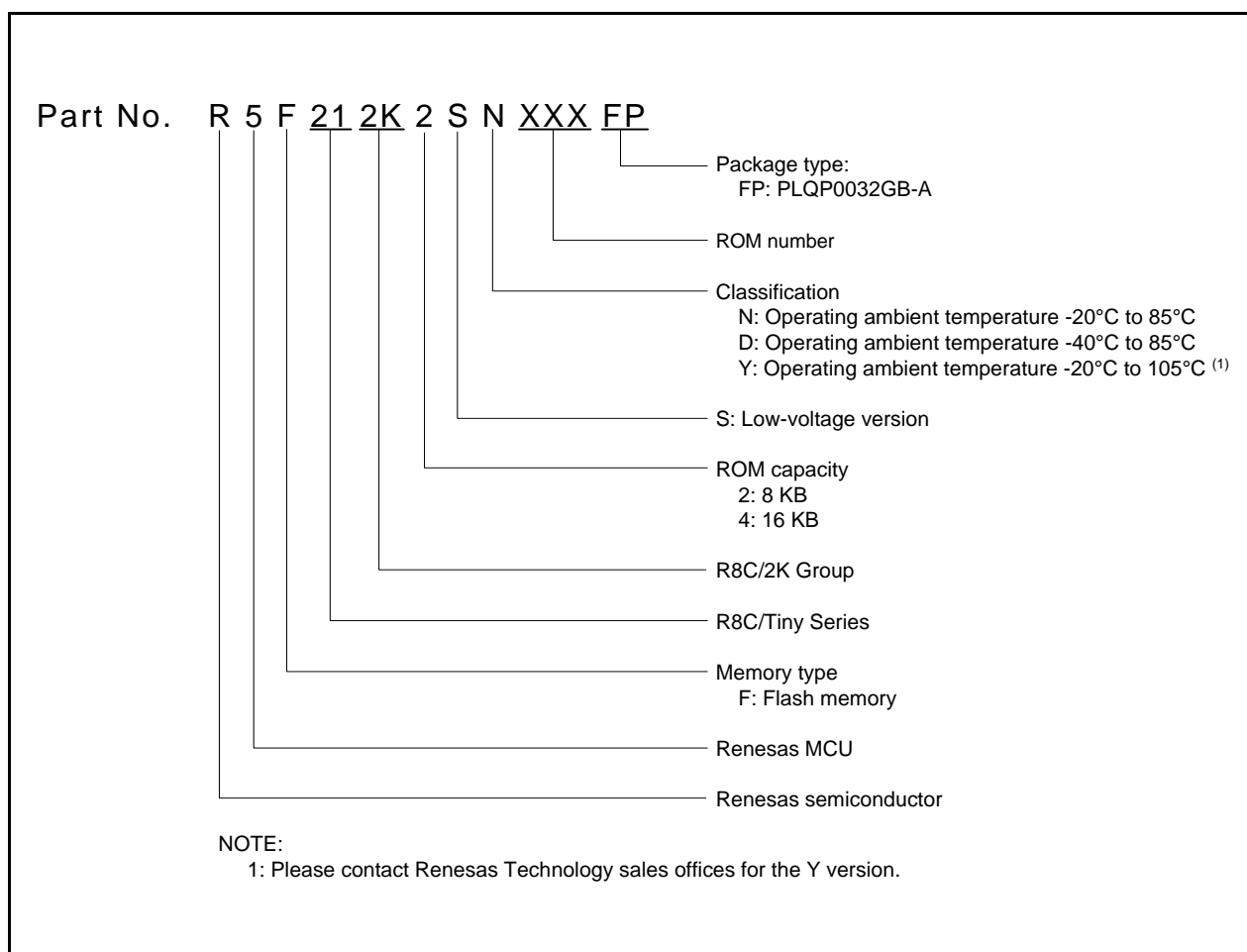
**Table 1.5 Product List for R8C/2K Group** **Current of Dec. 2007**

Part No.	ROM Capacity	RAM Capacity	Package Type	Remarks
R5F212K2SNFP	8 Kbytes	1 Kbyte	PLQP0032GB-A	N version
R5F212K4SNFP	16 Kbytes	1.5 Kbytes	PLQP0032GB-A	
R5F212K2SDFP	8 Kbytes	1 Kbyte	PLQP0032GB-A	D version
R5F212K4SDFP	16 Kbytes	1.5 Kbytes	PLQP0032GB-A	
R5F212K2SNXXXFP (D)	8 Kbytes	1 Kbyte	PLQP0032GB-A	N version Factory programming product <sup>(1)</sup>
R5F212K4SNXXXFP (D)	16 Kbytes	1.5 Kbytes	PLQP0032GB-A	
R5F212K2SDXXXFP (D)	8 Kbytes	1 Kbyte	PLQP0032GB-A	D version Factory programming product <sup>(1)</sup>
R5F212K4SDXXXFP (D)	16 Kbytes	1.5 Kbytes	PLQP0032GB-A	

(D): Under development

NOTE:

1. The user ROM is programmed before shipment.



**Figure 1.1 Part Number, Memory Size, and Package of R8C/2K Group**

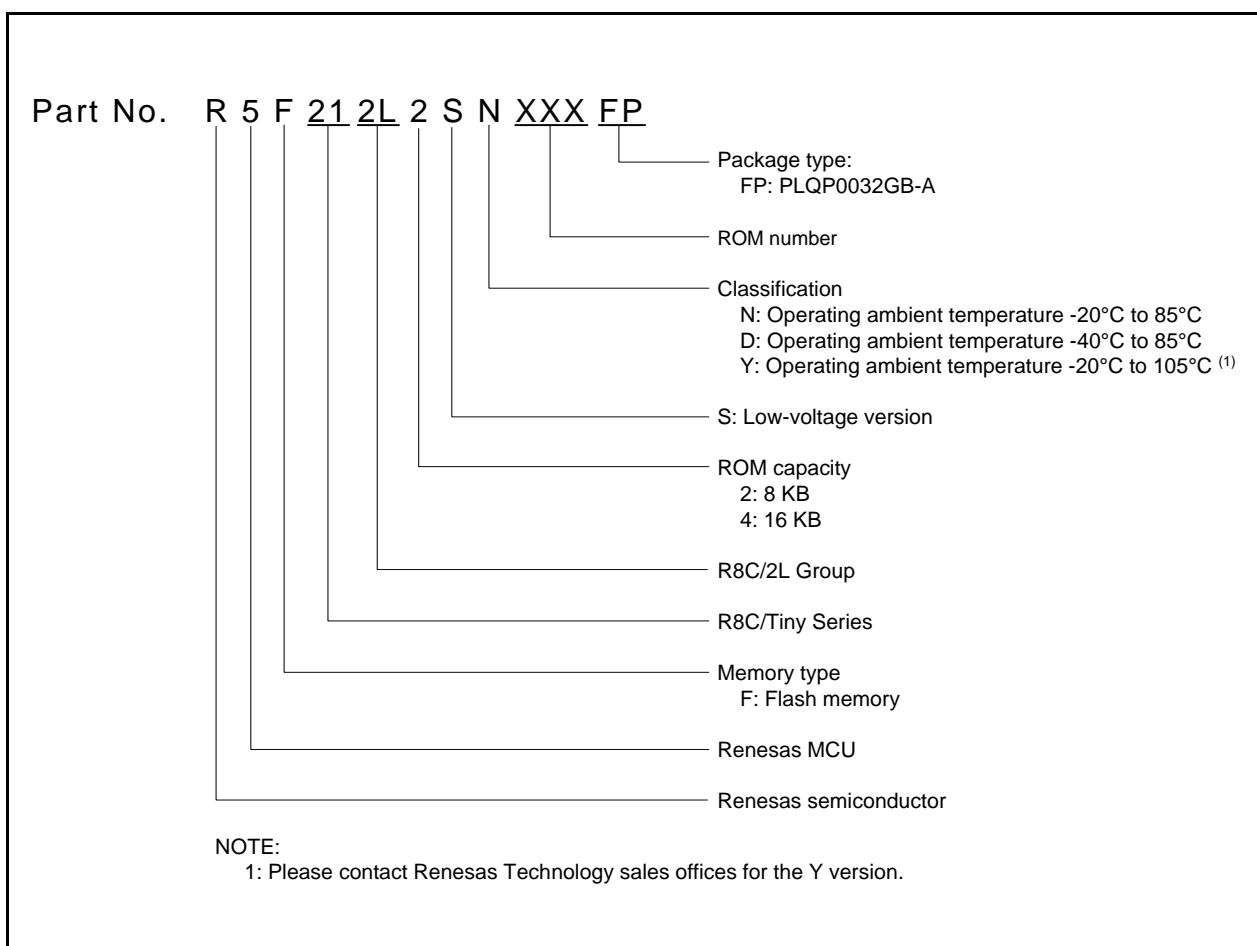
**Table 1.6 Product List for R8C/2L Group** **Current of Dec. 2007**

Part No.	ROM Capacity		RAM Capacity	Package Type	Remarks
	Program ROM	Data flash			
R5F212L2SNFP	8 Kbytes	1 Kbyte × 2	1 Kbyte	PLQP0032GB-A	N version
R5F212L4SNFP	16 Kbytes	1 Kbyte × 2	1.5 Kbytes	PLQP0032GB-A	
R5F212L2SDFP	8 Kbytes	1 Kbyte × 2	1 Kbyte	PLQP0032GB-A	D version
R5F212L4SDFP	16 Kbytes	1 Kbyte × 2	1.5 Kbytes	PLQP0032GB-A	
R5F212L2SNXXXFP (D)	8 Kbytes	1 Kbyte × 2	1 Kbyte	PLQP0032GB-A	N version Factory programming product <sup>(1)</sup>
R5F212L4SNXXXFP (D)	16 Kbytes	1 Kbyte × 2	1.5 Kbytes	PLQP0032GB-A	
R5F212L2SDXXXFP (D)	8 Kbytes	1 Kbyte × 2	1 Kbyte	PLQP0032GB-A	D version Factory programming product <sup>(1)</sup>
R5F212L4SDXXXFP (D)	16 Kbytes	1 Kbyte × 2	1.5 Kbytes	PLQP0032GB-A	

(D): Under development

NOTE:

1. The user ROM is programmed before shipment.



**Figure 1.2 Part Number, Memory Size, and Package of R8C/2L Group**

### 1.3 Block Diagram

Figure 1.3 shows a Block Diagram.

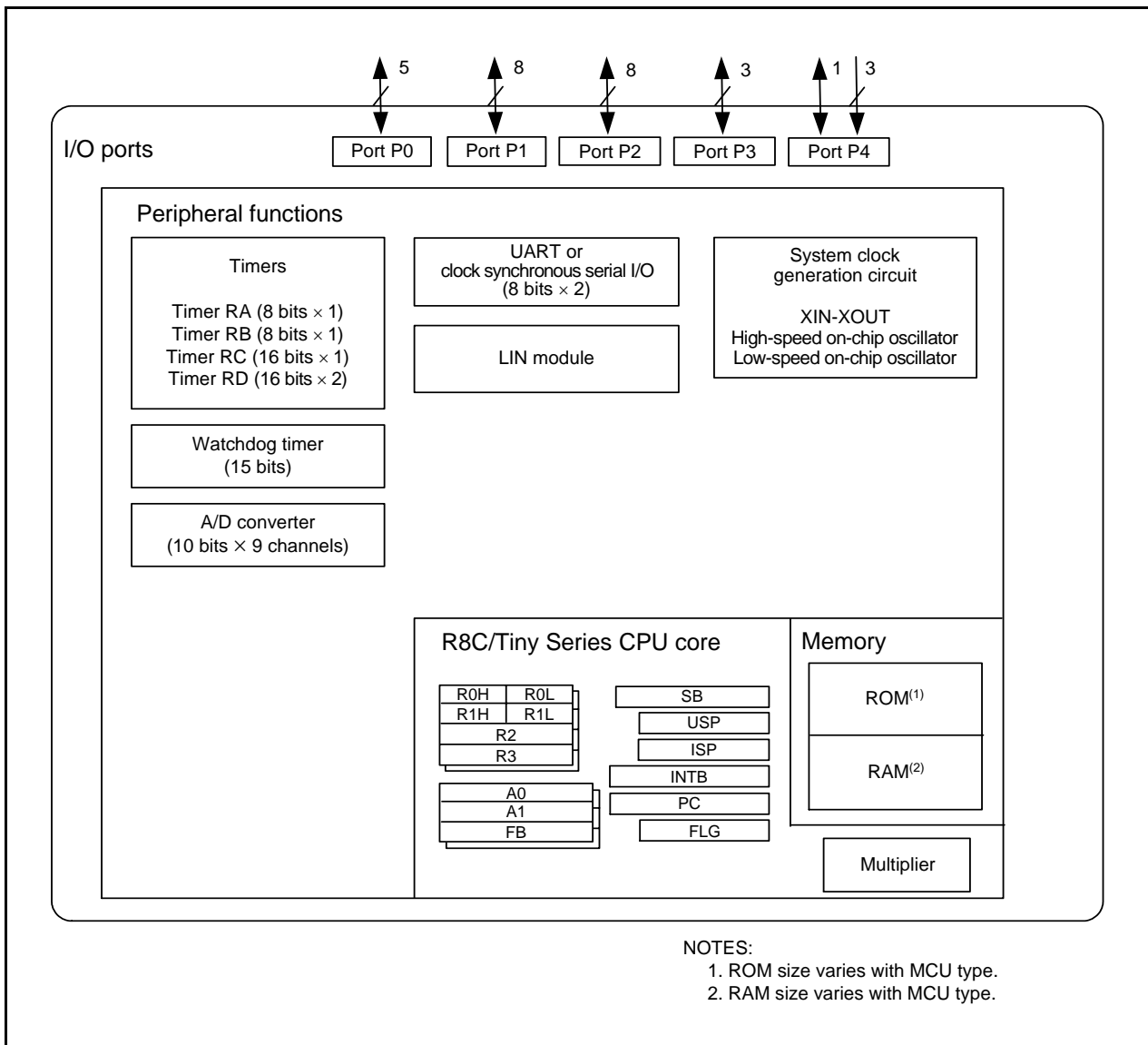


Figure 1.3 Block Diagram



### 1.4 Pin Assignment

Figure 1.4 shows the Pin Assignment (Top View). Table 1.7 outlines the Pin Name Information by Pin Number.

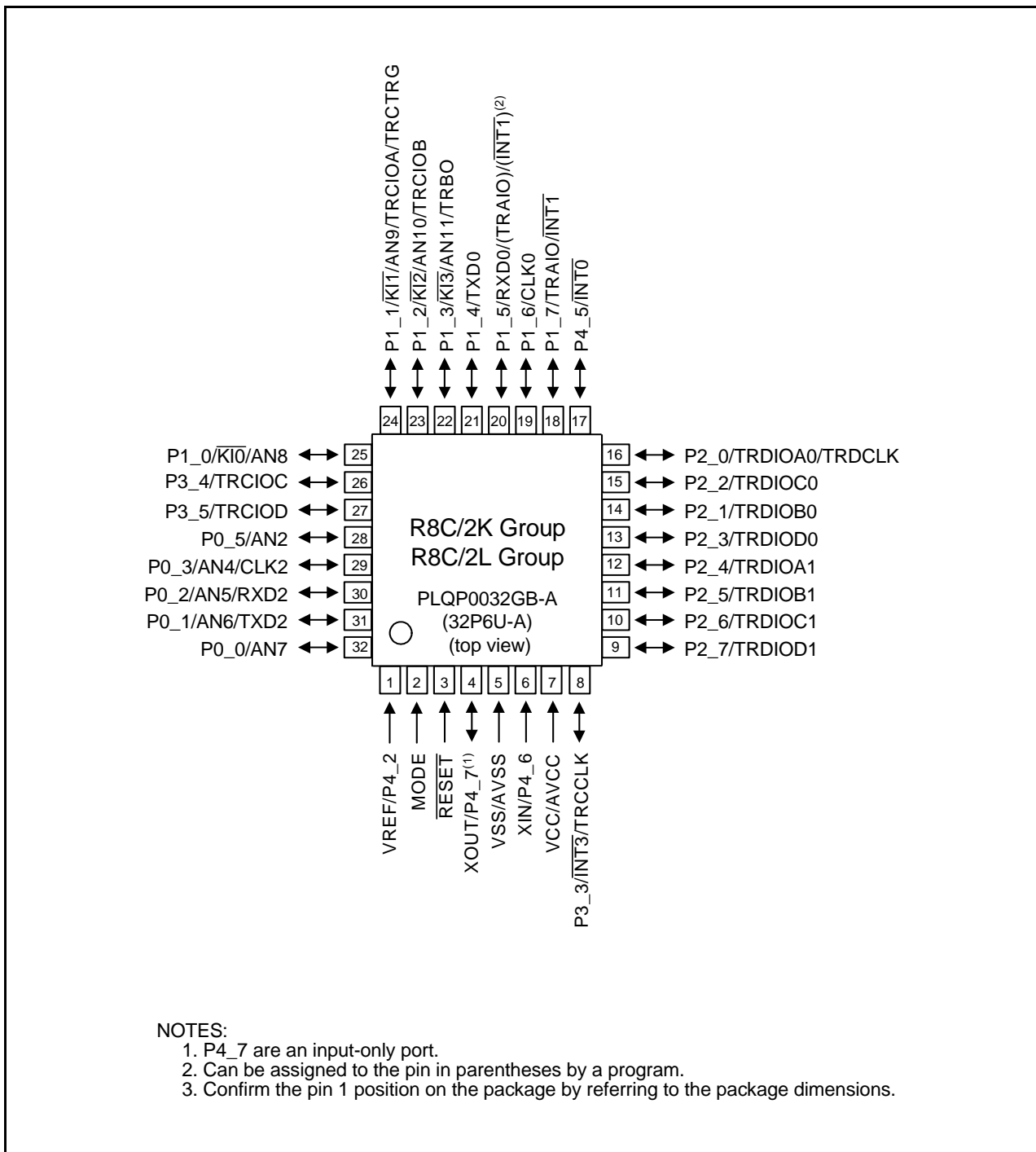


Figure 1.4 Pin Assignment (Top View)

**Table 1.7 Pin Name Information by Pin Number**

Pin Number	Control Pin	Port	I/O Pin Functions for of Peripheral Modules			
			Interrupt	Timer	Serial Interface	A/D Converter
1	VREF	P4_2				
2	MODE					
3	RESET					
4	XOUT	P4_7				
5	VSS/AVSS					
6	XIN	P4_6				
7	VCC/AVCC					
8		P3_3	$\overline{\text{INT3}}$	TRCCLK		
9		P2_7		TRDIOD1		
10		P2_6		TRDIOC1		
11		P2_5		TRDIOB1		
12		P2_4		TRDIOA1		
13		P2_3		TRDIOD0		
14		P2_1		TRDIOB0		
15		P2_2		TRDIOC0		
16		P2_0		TRDIOA0/TRDCLK		
17		P4_5	$\overline{\text{INT0}}$			
18		P1_7	$\overline{\text{INT1}}$	TRAIO		
19		P1_6			CLK0	
20		P1_5	$(\overline{\text{INT1}})^{(1)}$	$(\text{TRAIO})^{(1)}$	RXD0	
21		P1_4			TXD0	
22		P1_3	$\overline{\text{KI3}}$	TRBO		AN11
23		P1_2	$\overline{\text{KI2}}$	TRCIOB		AN10
24		P1_1	$\overline{\text{KI1}}$	TRCIOA/TRCTRG		AN9
25		P1_0	$\overline{\text{KI0}}$			AN8
26		P3_4		TRCIOC		
27		P3_5		TRCIOD		
28		P0_5				AN2
29		P0_3			CLK2	AN4
30		P0_2			RXD2	AN5
31		P0_1			TXD2	AN6
32		P0_0				AN7

NOTE:

1. Can be assigned to the pin in parentheses by a program.

## 1.5 Pin Functions

Table 1.8 lists Pin Functions.

**Table 1.8 Pin Functions**

Item	Pin Name	I/O Type	Description
Power supply input	VCC, VSS	–	Apply 2.2 V to 5.5 V to the VCC pin. Apply 0 V to the VSS pin.
Analog power supply input	AVCC, AVSS	–	Power supply for the A/D converter. Connect a capacitor between AVCC and AVSS.
Reset input	$\overline{\text{RESET}}$	I	Input “L” on this pin resets the MCU.
MODE	MODE	I	Connect this pin to VCC via a resistor.
XIN clock input	XIN	I	These pins are provided for XIN clock generation circuit I/O. Connect a ceramic resonator or a crystal oscillator between the XIN and XOUT pins <sup>(1)</sup> . To use an external clock, input it to the XIN pin and leave the XOUT pin open.
XIN clock output	XOUT	O	
$\overline{\text{INT}}$ interrupt input	$\overline{\text{INT0}}$ , $\overline{\text{INT1}}$ , $\overline{\text{INT3}}$	I	$\overline{\text{INT}}$ interrupt input pins. $\overline{\text{INT0}}$ is timer RB, timer RC and timer RD input pins.
Key input interrupt	$\overline{\text{KI0}}$ to $\overline{\text{KI3}}$	I	Key input interrupt input pins
Timer RA	TRAIO	I/O	Timer RA I/O pin
Timer RB	TRBO	O	Timer RB output pin
Timer RC	TRCLK	I	External clock input pin
	TRCTR $\overline{\text{G}}$	I	External trigger input pin
	TRCIOA, TRCIOB, TRCIO $\overline{\text{C}}$ , TRCIOD	I/O	Timer RC I/O pins
Timer RD	TRDIOA0, TRDIOA1, TRDIOB0, TRDIOB1, TRDIOC0, TRDIOC1, TRDIOD0, TRDIOD1	I/O	Timer RD I/O pins
	TRDCLK	I	External clock input pin
Serial interface	CLK0, CLK2	I/O	Transfer clock I/O pins
	RXD0, RXD2	I	Serial data input pins
	TXD0, TXD2	O	Serial data output pins
Reference voltage input	VREF	I	Reference voltage input pin to A/D converter
A/D converter	AN2, AN4 to AN11	I	Analog input pins to A/D converter
I/O port	P0_0 to P0_3, P0_5, P1_0 to P1_7, P2_0 to P2_7, P3_3 to P3_5, P4_5,	I/O	CMOS I/O ports. Each port has an I/O select direction register, allowing each pin in the port to be directed for input or output individually. Any port set to input can be set to use a pull-up resistor or not by a program. P2_0 to P2_7 also function as LED drive ports.
Input port	P4_2, P4_6, P4_7	I	Input-only ports

I: Input      O: Output      I/O: Input and output

NOTE:

1. Refer to the oscillator manufacturer for oscillation characteristics.

## 2. Central Processing Unit (CPU)

Figure 2.1 shows the CPU Registers. The CPU contains 13 registers. R0, R1, R2, R3, A0, A1, and FB configure a register bank. There are two sets of register bank.

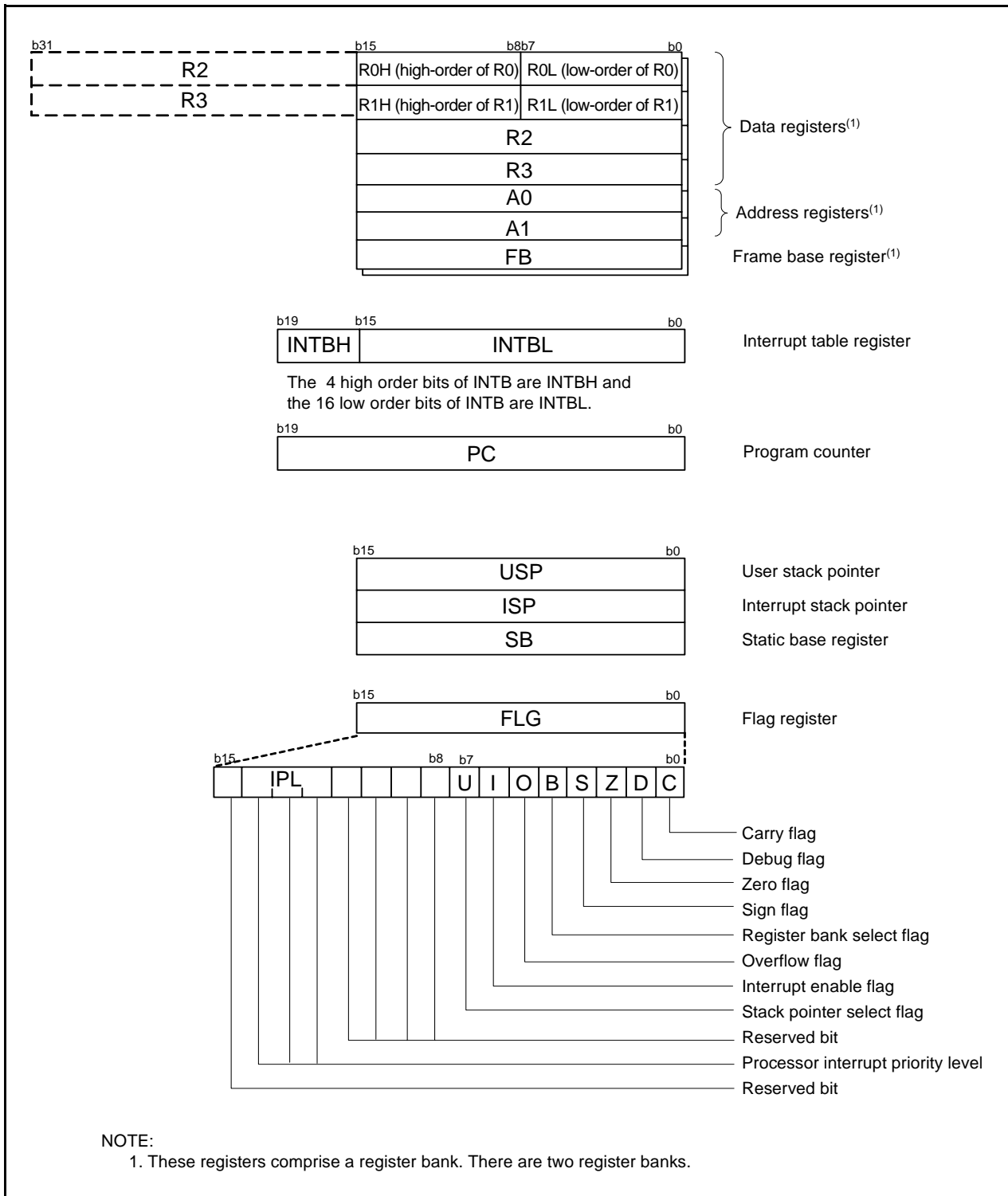


Figure 2.1 CPU Registers

## 2.1 Data Registers (R0, R1, R2, and R3)

R0 is a 16-bit register for transfer, arithmetic, and logic operations. The same applies to R1 to R3. R0 can be split into high-order bits (R0H) and low-order bits (R0L) to be used separately as 8-bit data registers. R1H and R1L are analogous to R0H and R0L. R2 can be combined with R0 and used as a 32-bit data register (R2R0). R3R1 is analogous to R2R0.

## 2.2 Address Registers (A0 and A1)

A0 is a 16-bit register for address register indirect addressing and address register relative addressing. It is also used for transfer, arithmetic, and logic operations. A1 is analogous to A0. A1 can be combined with A0 and as a 32-bit address register (A1A0).

## 2.3 Frame Base Register (FB)

FB is a 16-bit register for FB relative addressing.

## 2.4 Interrupt Table Register (INTB)

INTB is a 20-bit register that indicates the start address of an interrupt vector table.

## 2.5 Program Counter (PC)

PC is 20 bits wide and indicates the address of the next instruction to be executed.

## 2.6 User Stack Pointer (USP) and Interrupt Stack Pointer (ISP)

The stack pointers (SP), USP, and ISP, are each 16 bits wide. The U flag of FLG is used to switch between USP and ISP.

## 2.7 Static Base Register (SB)

SB is a 16-bit register for SB relative addressing.

## 2.8 Flag Register (FLG)

FLG is an 11-bit register indicating the CPU state.

### 2.8.1 Carry Flag (C)

The C flag retains carry, borrow, or shift-out bits that have been generated by the arithmetic and logic unit.

### 2.8.2 Debug Flag (D)

The D flag is for debugging only. Set it to 0.

### 2.8.3 Zero Flag (Z)

The Z flag is set to 1 when an arithmetic operation results in 0; otherwise to 0.

### 2.8.4 Sign Flag (S)

The S flag is set to 1 when an arithmetic operation results in a negative value; otherwise to 0.

### 2.8.5 Register Bank Select Flag (B)

Register bank 0 is selected when the B flag is 0. Register bank 1 is selected when this flag is set to 1.

### 2.8.6 Overflow Flag (O)

The O flag is set to 1 when an operation results in an overflow; otherwise to 0.

### 2.8.7 Interrupt Enable Flag (I)

The I flag enables maskable interrupts.

Interrupt are disabled when the I flag is set to 0, and are enabled when the I flag is set to 1. The I flag is set to 0 when an interrupt request is acknowledged.

### 2.8.8 Stack Pointer Select Flag (U)

ISP is selected when the U flag is set to 0; USP is selected when the U flag is set to 1.

The U flag is set to 0 when a hardware interrupt request is acknowledged or the INT instruction of software interrupt numbers 0 to 31 is executed.

### 2.8.9 Processor Interrupt Priority Level (IPL)

IPL is 3 bits wide and assigns processor interrupt priority levels from level 0 to level 7.

If a requested interrupt has higher priority than IPL, the interrupt is enabled.

### 2.8.10 Reserved Bit

If necessary, set to 0. When read, the content is undefined.

## 3. Memory

### 3.1 R8C/2K Group

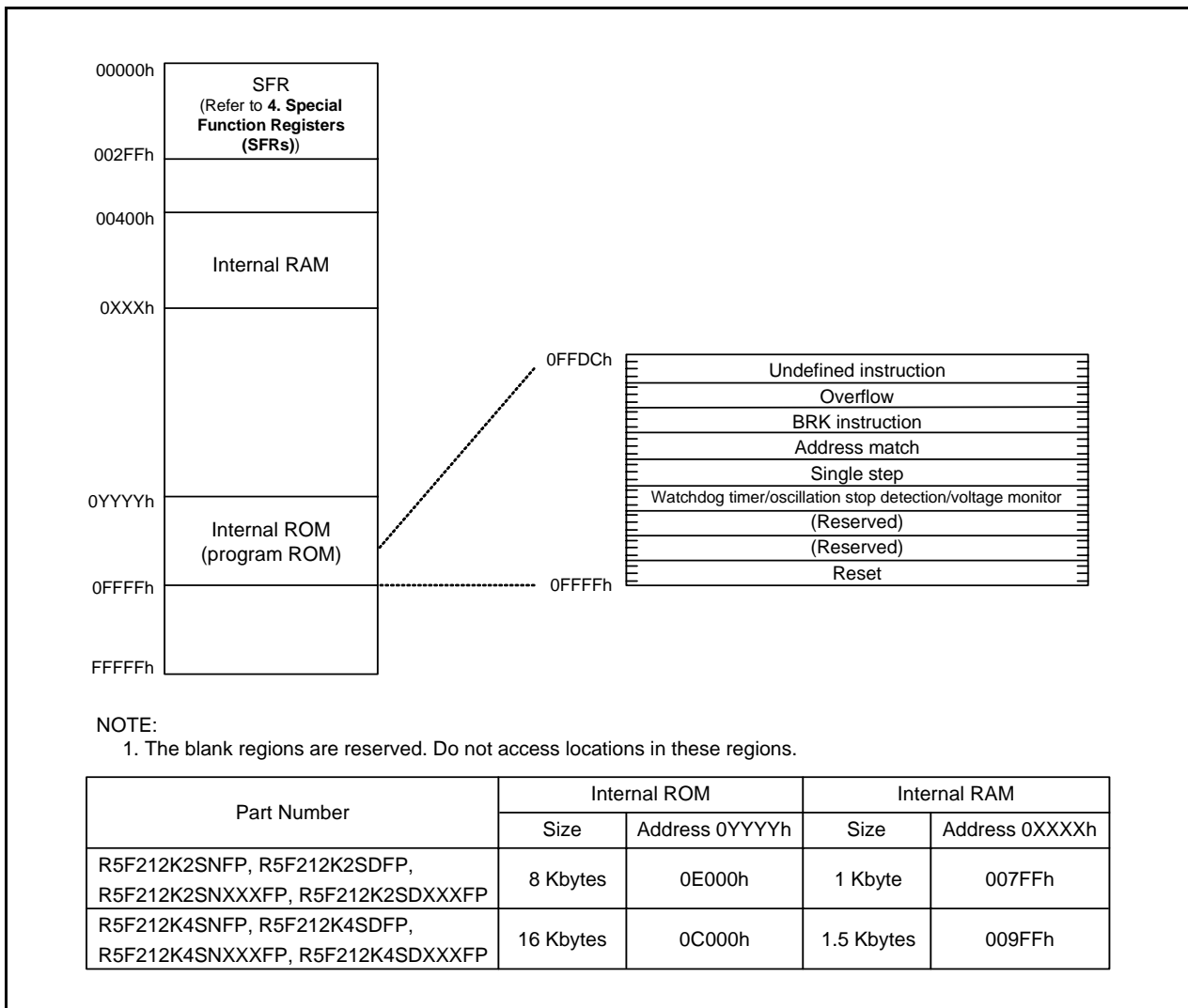
Figure 3.1 is a Memory Map of R8C/2K Group. The R8C/2K Group has 1 Mbyte of address space from addresses 00000h to FFFFFh.

The internal ROM is allocated lower addresses, beginning with address 0FFFFh. For example, a 16-Kbyte internal ROM area is allocated addresses 0C000h to 0FFFFh.

The fixed interrupt vector table is allocated addresses 0FFDCh to 0FFFFh. They store the starting address of each interrupt routine.

The internal RAM is allocated higher addresses beginning with address 00400h. For example, a 1.5-Kbyte internal RAM area is allocated addresses 00400h to 009FFh. The internal RAM is used not only for storing data but also for calling subroutines and as stacks when interrupt requests are acknowledged.

Special function registers (SFRs) are allocated addresses 00000h to 002FFh. The peripheral function control registers are allocated here. All addresses within the SFR, which have nothing allocated are reserved for future use and cannot be accessed by users.



**Figure 3.1** Memory Map of R8C/2K Group

### 3.2 R8C/2L Group

Figure 3.2 is a Memory Map of R8C/2L Group. The R8C/2L Group has 1 Mbyte of address space from addresses 00000h to FFFFFh.

The internal ROM (program ROM) is allocated lower addresses, beginning with address 0FFFFh. For example, a 16-Kbyte internal ROM area is allocated addresses 0C000h to 0FFFFh.

The fixed interrupt vector table is allocated addresses 0FFDCh to 0FFFFh. They store the starting address of each interrupt routine.

The internal ROM (data flash) is allocated addresses 02400h to 02BFFh.

The internal RAM area is allocated higher addresses, beginning with address 00400h. For example, a 1.5-Kbyte internal RAM is allocated addresses 00400h to 009FFh. The internal RAM is used not only for storing data but also for calling subroutines and as stacks when interrupt requests are acknowledged.

Special function registers (SFRs) are allocated addresses 00000h to 002FFh. The peripheral function control registers are allocated here. All addresses within the SFR, which have nothing allocated are reserved for future use and cannot be accessed by users.

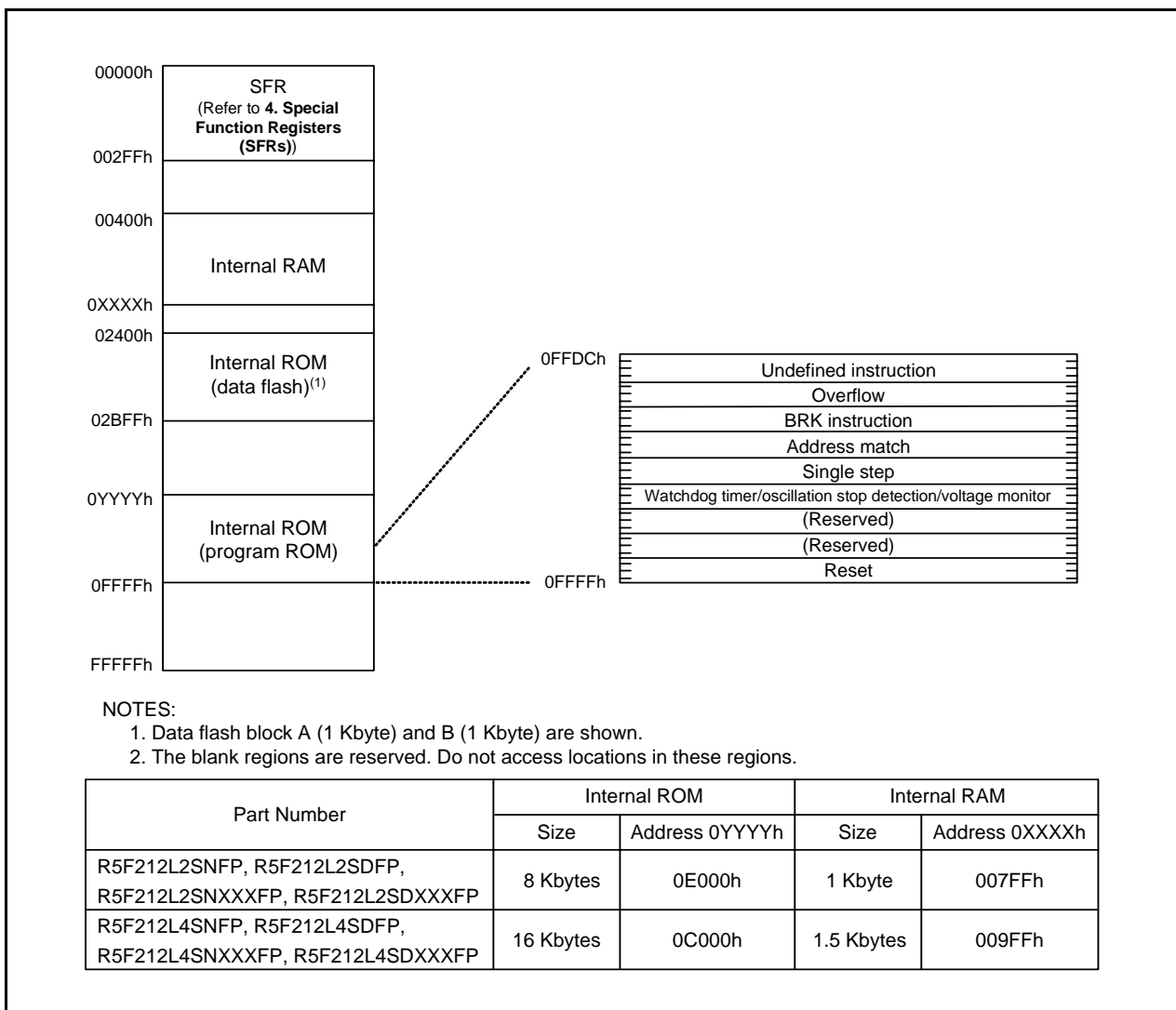


Figure 3.2 Memory Map of R8C/2L Group



## 4. Special Function Registers (SFRs)

An SFR (special function register) is a control register for a peripheral function. Tables 4.1 to 4.7 list the special function registers.

**Table 4.1 SFR Information (1)(1)**

Address	Register	Symbol	After reset
0000h			
0001h			
0002h			
0003h			
0004h	Processor Mode Register 0	PM0	00h
0005h	Processor Mode Register 1	PM1	00h
0006h	System Clock Control Register 0	CM0	01101000b
0007h	System Clock Control Register 1	CM1	00100000b
0008h			
0009h			
000Ah	Protect Register	PRCR	00h
000Bh			
000Ch	Oscillation Stop Detection Register	OCD	00000100b
000Dh	Watchdog Timer Reset Register	WDTR	XXh
000Eh	Watchdog Timer Start Register	WDTS	XXh
000Fh	Watchdog Timer Control Register	WDC	00X11111b
0010h	Address Match Interrupt Register 0	RMAD0	00h
0011h			00h
0012h			00h
0013h	Address Match Interrupt Enable Register	AIER	00h
0014h	Address Match Interrupt Register 1	RMAD1	00h
0015h			00h
0016h			00h
0017h			
0018h			
0019h			
001Ah			
001Bh			
001Ch	Count Source Protection Mode Register	CSPR	00h 10000000b <sup>(6)</sup>
001Dh			
001Eh			
001Fh			
0020h			
0021h			
0022h			
0023h	High-Speed On-Chip Oscillator Control Register 0	FRA0	00h
0024h	High-Speed On-Chip Oscillator Control Register 1	FRA1	When shipping
0025h	High-Speed On-Chip Oscillator Control Register 2	FRA2	00h
0026h			
0027h			
0028h			
0029h			
002Ah			
002Bh	High-Speed On-Chip Oscillator Control Register 6	FRA6	When Shipping
002Ch	High-Speed On-Chip Oscillator Control Register 7	FRA7	When Shipping
0030h			
0031h	Voltage Detection Register 1 <sup>(2)</sup>	VCA1	00001000b
0032h	Voltage Detection Register 2 <sup>(2)</sup>	VCA2	00h <sup>(3)</sup> 00100000b <sup>(4)</sup>
0033h			
0034h			
0035h			
0036h	Voltage Monitor 1 Circuit Control Register <sup>(5)</sup>	VW1C	00001000b
0037h	Voltage Monitor 2 Circuit Control Register <sup>(5)</sup>	VW2C	00h
0038h	Voltage Monitor 0 Circuit Control Register <sup>(2)</sup>	VW0C	0000X000b <sup>(3)</sup> 0100X001b <sup>(4)</sup>
0039h			
003Ah			
003Eh			
003Fh			

X: Undefined

NOTES:

- The blank regions are reserved. Do not access locations in these regions.
- Software reset, watchdog timer reset, voltage monitor 1 reset, or voltage monitor 2 reset do not affect this register.
- The LVD0ON bit in the OFS register is set to 1 and hardware reset.
- Power-on reset, voltage monitor 0 reset, or the LVD0ON bit in the OFS register is set to 0 and hardware reset.
- Software reset, watchdog timer reset, voltage monitor 1 reset, or voltage monitor 2 reset do not affect b2 and b3.
- The CSPROINI bit in the OFS register is set to 0.

**Table 4.2 SFR Information (2)<sup>(1)</sup>**

Address	Register	Symbol	After reset
0040h			
0041h			
0042h			
0043h			
0044h			
0045h			
0046h			
0047h	Timer RC Interrupt Control Register	TRCIC	XXXXX000b
0048h	Timer RD0 Interrupt Control Register	TRD0IC	XXXXX000b
0049h	Timer RD1 Interrupt Control Register	TRD1IC	XXXXX000b
004Ah			
004Bh	UART2 Transmit Interrupt Control Register	S2TIC	XXXXX000b
004Ch	UART2 Receive Interrupt Control Register	S2RIC	XXXXX000b
004Dh	Key Input Interrupt Control Register	KUPIC	XXXXX000b
004Eh	A/D Conversion Interrupt Control Register	ADIC	XXXXX000b
004Fh			
0050h			
0051h	UART0 Transmit Interrupt Control Register	S0TIC	XXXXX000b
0052h	UART0 Receive Interrupt Control Register	S0RIC	XXXXX000b
0053h			
0054h			
0055h			
0056h	Timer RA Interrupt Control Register	TRAIC	XXXXX000b
0057h			
0058h	Timer RB Interrupt Control Register	TRBIC	XXXXX000b
0059h	INT1 Interrupt Control Register	INT1IC	XX00X000b
005Ah	INT3 Interrupt Control Register	INT3IC	XX00X000b
005Bh			
005Ch			
005Dh	INT0 Interrupt Control Register	INT0IC	XX00X000b
005Eh			
005Fh			
0060h			
0061h			
0062h			
0063h			
0064h			
0065h			
0066h			
0067h			
0068h			
0069h			
006Ah			
006Bh			
006Ch			
006Dh			
006Eh			
006Fh			
0070h			
0071h			
0072h			
0073h			
0074h			
0075h			
0076h			
0077h			
0078h			
0079h			
007Ah			
007Bh			
007Ch			
007Dh			
007Eh			
007Fh			

X: Undefined

NOTE:

1. The blank regions are reserved. Do not access locations in these regions.

**Table 4.3 SFR Information (3)<sup>(1)</sup>**

Address	Register	Symbol	After reset
0080h			
0081h			
0082h			
0083h			
0084h			
0085h			
0086h			
0087h			
0088h			
0089h			
008Ah			
008Bh			
008Ch			
008Dh			
008Eh			
008Fh			
0090h			
0091h			
0092h			
0093h			
0094h			
0095h			
0096h			
0097h			
0098h			
0099h			
009Ah			
009Bh			
009Ch			
009Dh			
009Eh			
009Fh			
00A0h	UART0 Transmit/Receive Mode Register	U0MR	00h
00A1h	UART0 Bit Rate Register	U0BRG	XXh
00A2h	UART0 Transmit Buffer Register	U0TB	XXh
00A3h			XXh
00A4h	UART0 Transmit/Receive Control Register 0	U0C0	00001000b
00A5h	UART0 Transmit/Receive Control Register 1	U0C1	00000010b
00A6h	UART0 Receive Buffer Register	U0RB	XXh
00A7h			XXh
00A8h			
00A9h			
00AAh			
00ABh			
00ACh			
00ADh			
00AEh			
00AFh			
00B0h			
00B1h			
00B2h			
00B3h			
00B4h			
00B5h			
00B6h			
00B7h			
00B8h			
00B9h			
00BAh			
00BBh			
00BCh			
00BDh			
00BEh			
00BFh			

X: Undefined

NOTE:

1. The blank regions are reserved. Do not access locations in these regions.

**Table 4.4 SFR Information (4)<sup>(1)</sup>**

Address	Register	Symbol	After reset
00C0h	A/D Register	AD	XXh
00C1h			XXh
00C2h			
00C3h			
00C4h			
00C5h			
00C6h			
00C7h			
00C8h			
00C9h			
00CAh			
00CBh			
00CCh			
00CDh			
00CEh			
00CFh			
00D0h			
00D1h			
00D2h			
00D3h			
00D4h	A/D Control Register 2	ADCON2	00h
00D5h			
00D6h	A/D Control Register 0	ADCON0	00h
00D7h	A/D Control Register 1	ADCON1	00h
00D8h			
00D9h			
00DAh			
00DBh			
00DCh			
00DDh			
00DEh			
00DFh			
00E0h	Port P0 Register	P0	XXh
00E1h	Port P1 Register	P1	XXh
00E2h	Port P0 Direction Register	PD0	00h
00E3h	Port P1 Direction Register	PD1	00h
00E4h	Port P2 Register	P2	XXh
00E5h	Port P3 Register	P3	XXh
00E6h	Port P2 Direction Register	PD2	00h
00E7h	Port P3 Direction Register	PD3	00h
00E8h	Port P4 Register	P4	XXh
00E9h			
00EAh	Port P4 Direction Register	PD4	00h
00EBh			
00ECh			
00EDh			
00EEh			
00EFh			
00F0h			
00F1h			
00F2h			
00F3h			
00F4h	Port P2 Drive Capacity Control Register	P2DRR	00h
00F5h	Pin Select Register 1	PINSR1	XXh
00F6h	Pin Select Register 2	PINSR2	XXh
00F7h	Pin Select Register 3	PINSR3	XXh
00F8h	Port Mode Register	PMR	00h
00F9h	External Input Enable Register	INTEN	00h
00FAh	INT Input Filter Select Register	INTF	00h
00FBh	Key Input Enable Register	KIEN	00h
00FCh	Pull-Up Control Register 0	PUR0	00h
00FDh	Pull-Up Control Register 1	PUR1	XX000000b
00FEh			
00FFh			

X: Undefined

NOTE:

1. The blank regions are reserved. Do not access locations in these regions.

**Table 4.5 SFR Information (5)<sup>(1)</sup>**

Address	Register	Symbol	After reset
0100h	Timer RA Control Register	TRACR	00h
0101h	Timer RA I/O Control Register	TRAIOC	00h
0102h	Timer RA Mode Register	TRAMR	00h
0103h	Timer RA Prescaler Register	TRAPRE	FFh
0104h	Timer RA Register	TRA	FFh
0105h	LIN Control Register 2	LINCR2	00h
0106h	LIN Control Register	LINCR	00h
0107h	LIN Status Register	LINST	00h
0108h	Timer RB Control Register	TRBCR	00h
0109h	Timer RB One-Shot Control Register	TRBOCR	00h
010Ah	Timer RB I/O Control Register	TRBIOC	00h
010Bh	Timer RB Mode Register	TRBMR	00h
010Ch	Timer RB Prescaler Register	TRBPRES	FFh
010Dh	Timer RB Secondary Register	TRBSC	FFh
010Eh	Timer RB Primary Register	TRBPR	FFh
010Fh			
0110h			
0111h			
0112h			
0113h			
0114h			
0115h			
0116h			
0117h			
0118h			
0119h			
011Ah			
011Bh			
011Ch			
011Dh			
011Eh			
011Fh			
0120h	Timer RC Mode Register	TRCMR	01001000b
0121h	Timer RC Control Register 1	TRCCR1	00h
0122h	Timer RC Interrupt Enable Register	TRCIER	01110000b
0123h	Timer RC Status Register	TRCSR	01110000b
0124h	Timer RC I/O Control Register 0	TRCIOR0	10001000b
0125h	Timer RC I/O Control Register 1	TRCIOR1	10001000b
0126h	Timer RC Counter	TRC	00h
0127h			00h
0128h	Timer RC General Register A	TRCGRA	FFh
0129h			FFh
012Ah	Timer RC General Register B	TRCGRB	FFh
012Bh			FFh
012Ch	Timer RC General Register C	TRCGRC	FFh
012Dh			FFh
012Eh	Timer RC General Register D	TRCGRD	FFh
012Fh			FFh
0130h	Timer RC Control Register 2	TRCCR2	00011111b
0131h	Timer RC Digital Filter Function Select Register	TRCDF	00h
0132h	Timer RC Output Master Enable Register	TRCOER	01111111b
0133h			
0134h			
0135h			
0136h			
0137h	Timer RD Start Register	TRDSTR	11111100b
0138h	Timer RD Mode Register	TRDMR	00001110b
0139h	Timer RD PWM Mode Register	TRDPMR	10001000b
013Ah	Timer RD Function Control Register	TRDFCR	10000000b
013Bh	Timer RD Output Master Enable Register 1	TRDOER1	FFh
013Ch	Timer RD Output Master Enable Register 2	TRDOER2	01111111b
013Dh	Timer RD Output Control Register	TRDOCR	00h
013Eh	Timer RD Digital Filter Function Select Register 0	TRDDF0	00h
013Fh	Timer RD Digital Filter Function Select Register 1	TRDDF1	00h

## NOTE:

1. The blank regions are reserved. Do not access locations in these regions

**Table 4.6 SFR Information (6)<sup>(1)</sup>**

Address	Register	Symbol	After reset
0140h	Timer RD Control Register 0	TRDCR0	00h
0141h	Timer RD I/O Control Register A0	TRDIORA0	10001000b
0142h	Timer RD I/O Control Register C0	TRDIORC0	10001000b
0143h	Timer RD Status Register 0	TRDSR0	11100000b
0144h	Timer RD Interrupt Enable Register 0	TRDIER0	11100000b
0145h	Timer RD PWM Mode Output Level Control Register 0	TRDPOCR0	11111000b
0146h	Timer RD Counter 0	TRD0	00h
0147h			00h
0148h	Timer RD General Register A0	TRDGRA0	FFh
0149h			FFh
014Ah	Timer RD General Register B0	TRDGRB0	FFh
014Bh			FFh
014Ch	Timer RD General Register C0	TRDGRC0	FFh
014Dh			FFh
014Eh	Timer RD General Register D0	TRDGRD0	FFh
014Fh			FFh
0150h	Timer RD Control Register 1	TRDCR1	00h
0151h	Timer RD I/O Control Register A1	TRDIORA1	10001000b
0152h	Timer RD I/O Control Register C1	TRDIORC1	10001000b
0153h	Timer RD Status Register 1	TRDSR1	11000000b
0154h	Timer RD Interrupt Enable Register 1	TRDIER1	11100000b
0155h	Timer RD PWM Mode Output Level Control Register 1	TRDPOCR1	11111000b
0156h	Timer RD Counter 1	TRD1	00h
0157h			00h
0158h	Timer RD General Register A1	TRDGRA1	FFh
0159h			FFh
015Ah	Timer RD General Register B1	TRDGRB1	FFh
015Bh			FFh
015Ch	Timer RD General Register C1	TRDGRC1	FFh
015Dh			FFh
015Eh	Timer RD General Register D1	TRDGRD1	FFh
015Fh			FFh
0160h	UART2 Transmit/Receive Mode Register	U2MR	00h
0161h	UART2 Bit Rate Register	U2BRG	XXh
0162h	UART2 Transmit Buffer Register	U2TB	XXh
0163h			XXh
0164h	UART2 Transmit/Receive Control Register 0	U2C0	00001000b
0165h	UART2 Transmit/Receive Control Register 1	U2C1	00000010b
0166h	UART2 Receive Buffer Register	U2RB	XXh
0167h			XXh
0168h			
0169h			
016Ah			
016Bh			
016Ch			
016Dh			
016Eh			
016Fh			
0170h			
0171h			
0172h			
0173h			
0174h			
0175h			
0176h			
0177h			
0178h			
0179h			
017Ah			
017Bh			
017Ch			
017Dh			
017Eh			
017Fh			

X: Undefined

NOTE:

1. The blank regions are reserved. Do not access locations in these regions.

**Table 4.7 SFR Information (7)<sup>(1)</sup>**

Address	Register	Symbol	After reset
0180h			
0181h			
0182h			
0183h			
0184h			
0185h			
0186h			
0187h			
0188h			
0189h			
018Ah			
018Bh			
018Ch			
018Dh			
018Eh			
018Fh			
0190h			
0191h			
0192h			
0193h			
0194h			
0195h			
0196h			
0197h			
0198h			
0199h			
019Ah			
019Bh			
019Ch			
019Dh			
019Eh			
019Fh			
01A0h			
01A1h			
01A2h			
01A3h			
01A4h			
01A5h			
01A6h			
01A7h			
01A8h			
01A9h			
01AAh			
01ABh			
01ACh			
01ADh			
01AEh			
01AFh			
01B0h			
01B1h			
01B2h			
01B3h	Flash Memory Control Register 4	FMR4	01000000b
01B4h			
01B5h	Flash Memory Control Register 1	FMR1	1000000Xb
01B6h			
01B7h	Flash Memory Control Register 0	FMR0	00000001b
01B8h			
01B9h			
01BAh			
01BBh			
01BCh			
01BDh			
01BEh			
01BFh			
FFFFh	Option Function Select Register	OFS	(Note 2)

X: Undefined

NOTES:

1. The blank regions are reserved. Do not access locations in these regions.
2. The OFS register cannot be changed by a program. Use a flash programmer to write to it.

## 5. Electrical Characteristics

The electrical characteristics of N version ( $T_{opr} = -20^{\circ}\text{C}$  to  $85^{\circ}\text{C}$ ) and D version ( $T_{opr} = -40^{\circ}\text{C}$  to  $85^{\circ}\text{C}$ ) are listed below.

Please contact Renesas Technology sales offices for the electrical characteristics in the Y version ( $T_{opr} = -20^{\circ}\text{C}$  to  $105^{\circ}\text{C}$ ).

**Table 5.1 Absolute Maximum Ratings**

Symbol	Parameter	Condition	Rated Value	Unit
$V_{CC}/AV_{CC}$	Supply voltage		-0.3 to 6.5	V
$V_i$	Input voltage		-0.3 to $V_{CC} + 0.3$	V
$V_o$	Output voltage		-0.3 to $V_{CC} + 0.3$	V
$P_d$	Power dissipation	$T_{opr} = 25^{\circ}\text{C}$	500	mW
$T_{opr}$	Operating ambient temperature		-20 to 85 (N version) / -40 to 85 (D version)	$^{\circ}\text{C}$
$T_{stg}$	Storage temperature		-65 to 150	$^{\circ}\text{C}$



**Table 5.2 Recommended Operating Conditions**

Symbol	Parameter		Conditions	Standard			Unit
				Min.	Typ.	Max.	
V <sub>CC</sub>	Supply voltage			2.2	–	5.5	V
AV <sub>CC</sub>	Supply voltage			2.7	–	5.5	
V <sub>SS</sub> /AV <sub>SS</sub>	Supply voltage			–	0	–	V
V <sub>IH</sub>	Input “H” voltage			0.8 V <sub>CC</sub>	–	V <sub>CC</sub>	V
V <sub>IL</sub>	Input “L” voltage			0	–	0.2 V <sub>CC</sub>	V
I <sub>OH(sum)</sub>	Peak sum output “H” current	Sum of all pins I <sub>OH(peak)</sub>		–	–	–160	mA
I <sub>OH(sum)</sub>	Average sum output “H” current	Sum of all pins I <sub>OH(avg)</sub>		–	–	–80	mA
I <sub>OH(peak)</sub>	Peak output “H” current	Except P2_0 to P2_7		–	–	–10	mA
		P2_0 to P2_7		–	–	–40	mA
I <sub>OH(avg)</sub>	Average output “H” current	Except P2_0 to P2_7		–	–	–5	mA
		P2_0 to P2_7		–	–	–20	mA
I <sub>OL(sum)</sub>	Peak sum output “L” currents	Sum of all pins I <sub>OL(peak)</sub>		–	–	160	mA
I <sub>OL(sum)</sub>	Average sum output “L” currents	Sum of all pins I <sub>OL(avg)</sub>		–	–	80	mA
I <sub>OL(peak)</sub>	Peak output “L” currents	Except P2_0 to P2_7		–	–	10	mA
		P2_0 to P2_7		–	–	40	mA
I <sub>OL(avg)</sub>	Average output “L” current	Except P2_0 to P2_7		–	–	5	mA
		P2_0 to P2_7		–	–	20	mA
f <sub>(XIN)</sub>	XIN clock input oscillation frequency		3.0 V ≤ V <sub>CC</sub> ≤ 5.5 V	0	–	20	MHz
			2.7 V ≤ V <sub>CC</sub> < 3.0 V	0	–	10	MHz
			2.2 V ≤ V <sub>CC</sub> < 2.7 V	0	–	5	MHz
–	System clock	OCD2 = 0 XIN clock selected	3.0 V ≤ V <sub>CC</sub> ≤ 5.5 V	0	–	20	MHz
			2.7 V ≤ V <sub>CC</sub> < 3.0 V	0	–	10	MHz
			2.2 V ≤ V <sub>CC</sub> < 2.7 V	0	–	5	MHz
		OCD2 = 1 On-chip oscillator clock selected	FRA01 = 0 Low-speed on-chip oscillator clock selected	–	125	–	kHz
			FRA01 = 1 High-speed on-chip oscillator clock selected 3.0 V ≤ V <sub>CC</sub> ≤ 5.5 V	–	–	20	MHz
			FRA01 = 1 High-speed on-chip oscillator clock selected 2.7 V ≤ V <sub>CC</sub> ≤ 5.5 V	–	–	10	MHz
FRA01 = 1 High-speed on-chip oscillator clock selected 2.2 V ≤ V <sub>CC</sub> ≤ 5.5 V	–	–	5	MHz			

## NOTES:

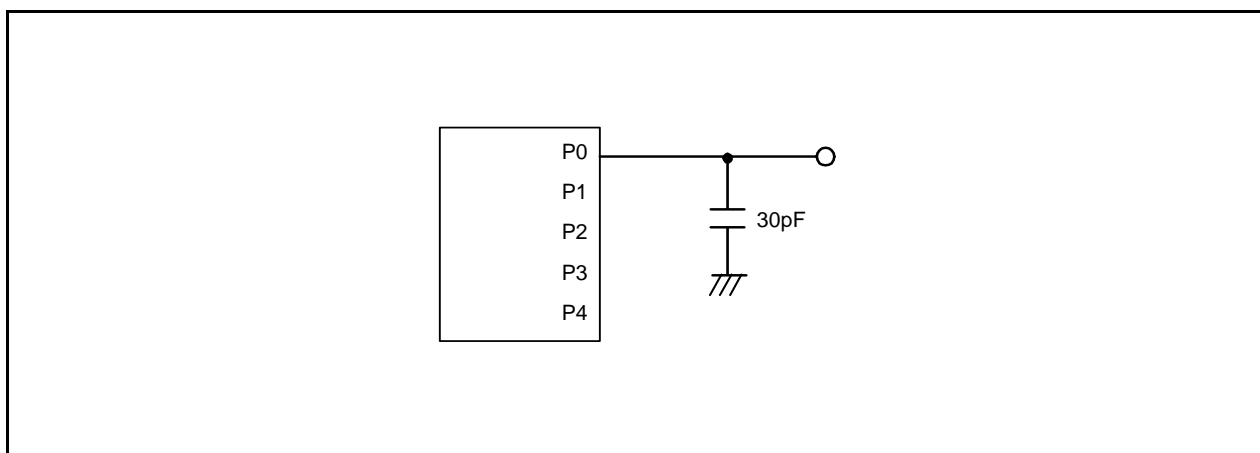
- V<sub>CC</sub> = 2.2 to 5.5 V at T<sub>opr</sub> = –20 to 85°C (N version) / –40 to 85°C (D version), unless otherwise specified.
- The average output current indicates the average value of current measured during 100 ms.

**Table 5.3 A/D Converter Characteristics**

Symbol	Parameter		Conditions	Standard			Unit
				Min.	Typ.	Max.	
–	Resolution		$V_{ref} = AV_{CC}$	–	–	10	Bits
–	Absolute accuracy	10-bit mode	$\phi_{AD} = 10 \text{ MHz}, V_{ref} = AV_{CC} = 5.0 \text{ V}$	–	–	$\pm 3$	LSB
		8-bit mode	$\phi_{AD} = 10 \text{ MHz}, V_{ref} = AV_{CC} = 5.0 \text{ V}$	–	–	$\pm 2$	LSB
		10-bit mode	$\phi_{AD} = 10 \text{ MHz}, V_{ref} = AV_{CC} = 3.3 \text{ V}$	–	–	$\pm 5$	LSB
		8-bit mode	$\phi_{AD} = 10 \text{ MHz}, V_{ref} = AV_{CC} = 3.3 \text{ V}$	–	–	$\pm 2$	LSB
$R_{ladder}$	Resistor ladder		$V_{ref} = AV_{CC}$	10	–	40	$k\Omega$
$t_{conv}$	Conversion time	10-bit mode	$\phi_{AD} = 10 \text{ MHz}, V_{ref} = AV_{CC} = 5.0 \text{ V}$	3.3	–	–	$\mu\text{s}$
		8-bit mode	$\phi_{AD} = 10 \text{ MHz}, V_{ref} = AV_{CC} = 5.0 \text{ V}$	2.8	–	–	$\mu\text{s}$
$V_{ref}$	Reference voltage			2.2	–	$AV_{CC}$	V
$V_{IA}$	Analog input voltage <sup>(2)</sup>			0	–	$AV_{CC}$	V
–	A/D operating clock frequency	Without sample and hold	$V_{ref} = AV_{CC} = 2.7 \text{ to } 5.5 \text{ V}$	0.25	–	10	MHz
		With sample and hold	$V_{ref} = AV_{CC} = 2.7 \text{ to } 5.5 \text{ V}$	1	–	10	MHz

## NOTES:

1.  $AV_{CC} = 2.7$  to  $5.5 \text{ V}$  at  $T_{opr} = -20$  to  $85^\circ\text{C}$  (N version) /  $-40$  to  $85^\circ\text{C}$  (D version), unless otherwise specified.
2. When the analog input voltage is over the reference voltage, the A/D conversion result will be 3FFh in 10-bit mode and FFh in 8-bit mode.

**Figure 5.1 Ports P0 to P4 Timing Measurement Circuit**

**Table 5.4 Flash Memory (Program ROM) Electrical Characteristics**

Symbol	Parameter	Conditions	Standard			Unit
			Min.	Typ.	Max.	
–	Program/erase endurance <sup>(2)</sup>	R8C/2K Group	100 <sup>(3)</sup>	–	–	times
		R8C/2L Group	1,000 <sup>(3)</sup>	–	–	times
–	Byte program time		–	50	400	μs
–	Block erase time		–	0.4	9	s
t <sub>d</sub> (SR-SUS)	Time delay from suspend request until suspend		–	–	97+CPU clock × 6 cycles	μs
–	Interval from erase start/restart until following suspend request		650	–	–	μs
–	Interval from program start/restart until following suspend request		0	–	–	ns
–	Time from suspend until program/erase restart		–	–	3+CPU clock × 4 cycles	μs
–	Program, erase voltage		2.7	–	5.5	V
–	Read voltage		2.2	–	5.5	V
–	Program, erase temperature		0	–	60	°C
–	Data hold time <sup>(7)</sup>	Ambient temperature = 55°C	20	–	–	year

## NOTES:

- V<sub>CC</sub> = 2.7 to 5.5 V at T<sub>opr</sub> = 0 to 60°C, unless otherwise specified.
- Definition of programming/erasure endurance  
The programming and erasure endurance is defined on a per-block basis.  
If the programming and erasure endurance is n (n = 100 or 10,000), each block can be erased n times. For example, if 1,024 1-byte writes are performed to block A, a 1 Kbyte block, and then the block is erased, the programming/erasure endurance still stands at one.  
However, the same address must not be programmed more than once per erase operation (overwriting prohibited).
- Endurance to guarantee all electrical characteristics after program and erase. (1 to Min. value can be guaranteed).
- In a system that executes multiple programming operations, the actual erasure count can be reduced by writing to sequential addresses in turn so that as much of the block as possible is used up before performing an erase operation. For example, when programming groups of 16 bytes, the effective number of rewrites can be minimized by programming up to 128 groups before erasing them all in one operation. It is also advisable to retain data on the erase count of each block and limit the number of erase operations to a certain number.
- If an error occurs during block erase, attempt to execute the clear status register command, then execute the block erase command at least three times until the erase error does not occur.
- Customers desiring program/erase failure rate information should contact their Renesas technical support representative.
- The data hold time includes time that the power supply is off or the clock is not supplied.

**Table 5.5 Flash Memory (Data flash Block A, Block B) Electrical Characteristics<sup>(4)</sup>**

Symbol	Parameter	Conditions	Standard			Unit
			Min.	Typ.	Max.	
–	Program/erase endurance <sup>(2)</sup>		10,000 <sup>(3)</sup>	–	–	times
–	Byte program time (program/erase endurance ≤ 1,000 times)		–	50	400	μs
–	Byte program time (program/erase endurance > 1,000 times)		–	65	–	μs
–	Block erase time (program/erase endurance ≤ 1,000 times)		–	0.2	9	s
–	Block erase time (program/erase endurance > 1,000 times)		–	0.3	–	s
t <sub>d</sub> (SR-SUS)	Time delay from suspend request until suspend		–	–	97+CPU clock × 6 cycles	μs
–	Interval from erase start/restart until following suspend request		650	–	–	μs
–	Interval from program start/restart until following suspend request		0	–	–	ns
–	Time from suspend until program/erase restart		–	–	3+CPU clock × 4 cycles	μs
–	Program, erase voltage		2.7	–	5.5	V
–	Read voltage		2.2	–	5.5	V
–	Program, erase temperature		–20 <sup>(8)</sup>	–	85	°C
–	Data hold time <sup>(9)</sup>	Ambient temperature = 55 °C	20	–	–	year

## NOTES:

- V<sub>CC</sub> = 2.7 to 5.5 V at T<sub>opr</sub> = –20 to 85°C (N version) / –40 to 85°C (D version), unless otherwise specified.
- Definition of programming/erasure endurance  
The programming and erasure endurance is defined on a per-block basis.  
If the programming and erasure endurance is n (n = 100 or 10,000), each block can be erased n times. For example, if 1,024 1-byte writes are performed to block A, a 1 Kbyte block, and then the block is erased, the programming/erasure endurance still stands at one.  
However, the same address must not be programmed more than once per erase operation (overwriting prohibited).
- Endurance to guarantee all electrical characteristics after program and erase. (1 to Min. value can be guaranteed).
- Standard of block A and block B when program and erase endurance exceeds 1,000 times. Byte program time to 1,000 times is the same as that in program ROM.
- In a system that executes multiple programming operations, the actual erasure count can be reduced by writing to sequential addresses in turn so that as much of the block as possible is used up before performing an erase operation. For example, when programming groups of 16 bytes, the effective number of rewrites can be minimized by programming up to 128 groups before erasing them all in one operation. It is also advisable to retain data on the erase count of each block and limit the number of erase operations to a certain number.
- If an error occurs during block erase, attempt to execute the clear status register command, then execute the block erase command at least three times until the erase error does not occur.
- Customers desiring program/erase failure rate information should contact their Renesas technical support representative.
- 40°C for D version.
- The data hold time includes time that the power supply is off or the clock is not supplied.

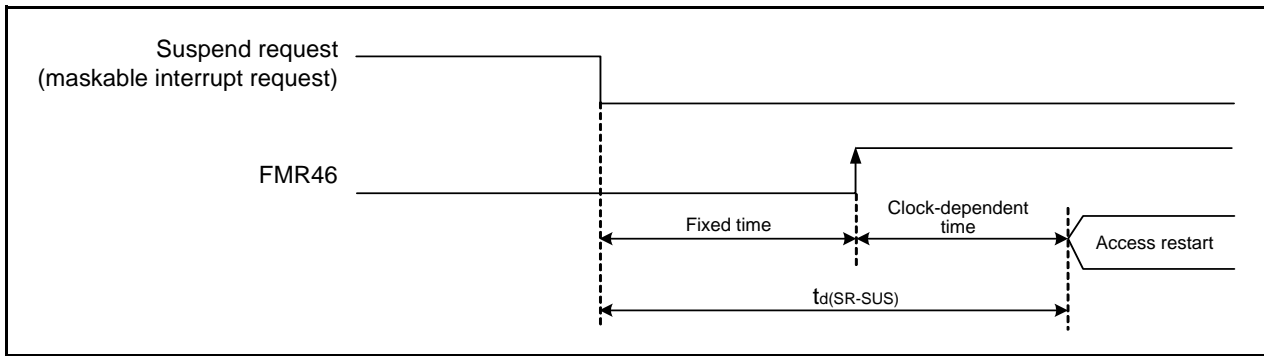


Figure 5.2 Time delay until Suspend

Table 5.6 Voltage Detection 0 Circuit Electrical Characteristics

Symbol	Parameter	Condition	Standard			Unit
			Min.	Typ.	Max.	
V <sub>det0</sub>	Voltage detection level		2.2	2.3	2.4	V
–	Voltage detection circuit self power consumption	VCA25 = 1, V <sub>CC</sub> = 5.0 V	–	0.9	–	μA
t <sub>d(E-A)</sub>	Waiting time until voltage detection circuit operation starts <sup>(2)</sup>		–	–	300	μs
V <sub>ccmin</sub>	MCU operating voltage minimum value		2.2	–	–	V

## NOTES:

1. The measurement condition is V<sub>CC</sub> = 2.2 to 5.5 V and T<sub>opr</sub> = –20 to 85°C (N version) / –40 to 85°C (D version).
2. Necessary time until the voltage detection circuit operates when setting to 1 again after setting the VCA25 bit in the VCA2 register to 0.

Table 5.7 Voltage Detection 1 Circuit Electrical Characteristics

Symbol	Parameter	Condition	Standard			Unit
			Min.	Typ.	Max.	
V <sub>det1</sub>	Voltage detection level <sup>(4)</sup>		2.70	2.85	3.00	V
–	Voltage monitor 1 interrupt request generation time <sup>(2)</sup>		–	40	–	μs
–	Voltage detection circuit self power consumption	VCA26 = 1, V <sub>CC</sub> = 5.0 V	–	0.6	–	μA
t <sub>d(E-A)</sub>	Waiting time until voltage detection circuit operation starts <sup>(3)</sup>		–	–	100	μs

## NOTES:

1. The measurement condition is V<sub>CC</sub> = 2.2 to 5.5 V and T<sub>opr</sub> = –20 to 85°C (N version) / –40 to 85°C (D version).
2. Time until the voltage monitor 1 interrupt request is generated after the voltage passes V<sub>det1</sub>.
3. Necessary time until the voltage detection circuit operates when setting to 1 again after setting the VCA26 bit in the VCA2 register to 0.
4. This parameter shows the voltage detection level when the power supply drops.  
The voltage detection level when the power supply rises is higher than the voltage detection level when the power supply drops by approximately 0.1 V.

Table 5.8 Voltage Detection 2 Circuit Electrical Characteristics

Symbol	Parameter	Condition	Standard			Unit
			Min.	Typ.	Max.	
V <sub>det2</sub>	Voltage detection level		3.3	3.6	3.9	V
–	Voltage monitor 2 interrupt request generation time <sup>(2)</sup>		–	40	–	μs
–	Voltage detection circuit self power consumption	VCA27 = 1, V <sub>CC</sub> = 5.0 V	–	0.6	–	μA
t <sub>d(E-A)</sub>	Waiting time until voltage detection circuit operation starts <sup>(3)</sup>		–	–	100	μs

## NOTES:

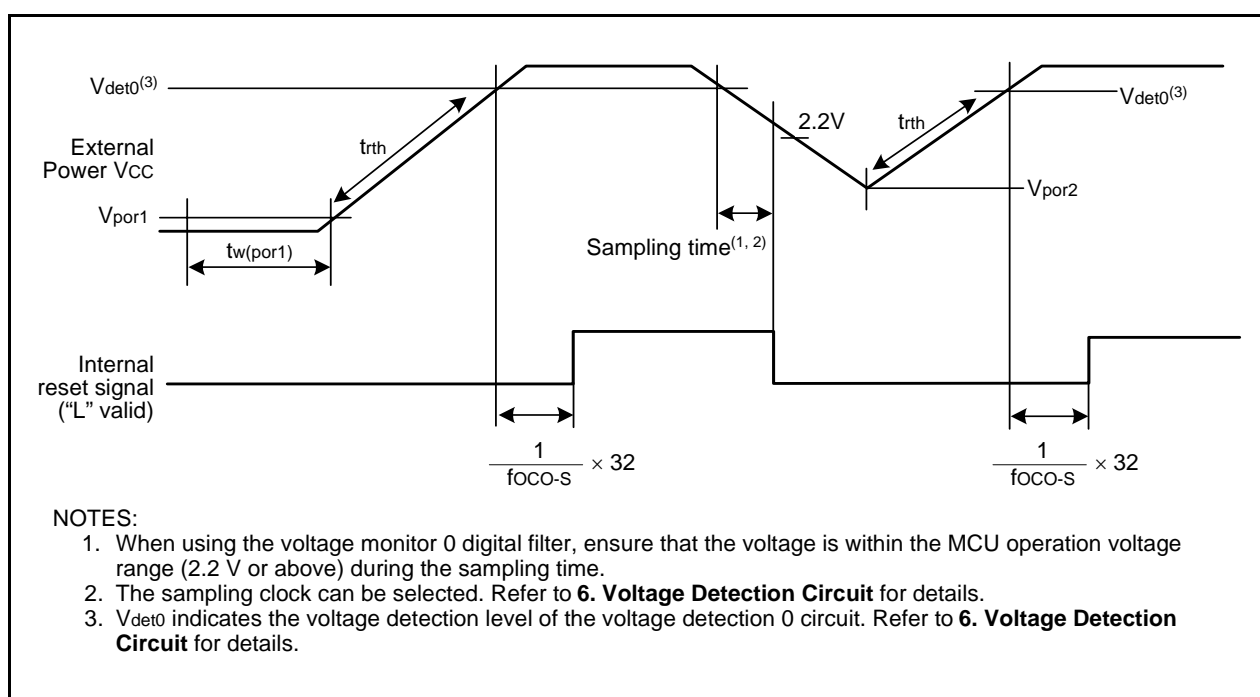
1. The measurement condition is V<sub>CC</sub> = 2.2 to 5.5 V and T<sub>opr</sub> = –20 to 85°C (N version) / –40 to 85°C (D version).
2. Time until the voltage monitor 2 interrupt request is generated after the voltage passes V<sub>det2</sub>.
3. Necessary time until the voltage detection circuit operates after setting to 1 again after setting the VCA27 bit in the VCA2 register to 0.

**Table 5.9 Power-on Reset Circuit, Voltage Monitor 0 Reset Electrical Characteristics<sup>(3)</sup>**

Symbol	Parameter	Condition	Standard			Unit
			Min.	Typ.	Max.	
$V_{por1}$	Power-on reset valid voltage <sup>(4)</sup>		–	–	0.1	V
$V_{por2}$	Power-on reset or voltage monitor 0 reset valid voltage		0	–	$V_{det0}$	V
$tr_{th}$	External power $V_{CC}$ rise gradient <sup>(2)</sup>		20	–	–	mV/msec

## NOTES:

1. The measurement condition is  $T_{opr} = -20$  to  $85^{\circ}\text{C}$  (N version) /  $-40$  to  $85^{\circ}\text{C}$  (D version), unless otherwise specified.
2. This condition (external power  $V_{CC}$  rise gradient) does not apply if  $V_{CC} \geq 1.0$  V.
3. To use the power-on reset function, enable voltage monitor 0 reset by setting the LVD00N bit in the OFS register to 0, the VW0C0 and VW0C6 bits in the VW0C register to 1 respectively, and the VCA25 bit in the VCA2 register to 1.
4.  $t_{w(por1)}$  indicates the duration the external power  $V_{CC}$  must be held below the effective voltage ( $V_{por1}$ ) to enable a power on reset. When turning on the power for the first time, maintain  $t_{w(por1)}$  for 30 s or more if  $-20^{\circ}\text{C} \leq T_{opr} \leq 85^{\circ}\text{C}$ , maintain  $t_{w(por1)}$  for 3,000 s or more if  $-40^{\circ}\text{C} \leq T_{opr} < -20^{\circ}\text{C}$ .

**Figure 5.3 Reset Circuit Electrical Characteristics**

**Table 5.10 High-speed On-Chip Oscillator Circuit Electrical Characteristics**

Symbol	Parameter	Condition	Standard			Unit
			Min.	Typ.	Max.	
fOCO40M	High-speed on-chip oscillator frequency temperature • supply voltage dependence	$V_{CC} = 2.7 \text{ V to } 5.5 \text{ V}$ $-20^{\circ}\text{C} \leq T_{opr} \leq 85^{\circ}\text{C}^{(2)}$	39.2	40	40.8	MHz
		$V_{CC} = 2.7 \text{ V to } 5.5 \text{ V}$ $-40^{\circ}\text{C} \leq T_{opr} \leq 85^{\circ}\text{C}^{(2)}$	39.0	40	41.0	MHz
		$V_{CC} = 2.2 \text{ V to } 5.5 \text{ V}$ $-20^{\circ}\text{C} \leq T_{opr} \leq 85^{\circ}\text{C}^{(3)}$	35.2	40	44.8	MHz
		$V_{CC} = 2.2 \text{ V to } 5.5 \text{ V}$ $-40^{\circ}\text{C} \leq T_{opr} \leq 85^{\circ}\text{C}^{(3)}$	34.0	40	46.0	MHz
	High-speed on-chip oscillator frequency when correction value in FRA7 register is written to FRA1 register <sup>(4)</sup>	$V_{CC} = 5.0 \text{ V}, T_{opr} = 25^{\circ}\text{C}$	–	36.864	–	MHz
$V_{CC} = 2.7 \text{ V to } 5.5 \text{ V}$ $-20^{\circ}\text{C} \leq T_{opr} \leq 85^{\circ}\text{C}$		–3%	–	3%	%	
–	Value in FRA1 register after reset		08h	–	F7h	–
–	Oscillation frequency adjustment unit of high-speed on-chip oscillator	Adjust FRA1 register (value after reset) to -1	–	+0.3	–	MHz
–	Oscillation stability time	$V_{CC} = 5.0 \text{ V}, T_{opr} = 25^{\circ}\text{C}$	–	10	100	$\mu\text{s}$
–	Self power consumption at oscillation	$V_{CC} = 5.0 \text{ V}, T_{opr} = 25^{\circ}\text{C}$	–	550	–	$\mu\text{A}$

## NOTES:

- $V_{CC} = 2.2 \text{ to } 5.5 \text{ V}, T_{opr} = -20 \text{ to } 85^{\circ}\text{C}$  (N version) /  $-40 \text{ to } 85^{\circ}\text{C}$  (D version), unless otherwise specified.
- These standard values show when the FRA1 register value after reset is assumed.
- These standard values show when the corrected value of the FRA6 register is written to the FRA1 register.
- This enables the setting errors of bit rates such as 9600 bps and 38400 bps to be 0% when the serial interface is used in UART mode.

**Table 5.11 Low-speed On-Chip Oscillator Circuit Electrical Characteristics**

Symbol	Parameter	Condition	Standard			Unit
			Min.	Typ.	Max.	
fOCO-S	Low-speed on-chip oscillator frequency		30	125	250	kHz
–	Oscillation stability time		–	10	100	$\mu\text{s}$
–	Self power consumption at oscillation	$V_{CC} = 5.0 \text{ V}, T_{opr} = 25^{\circ}\text{C}$	–	15	–	$\mu\text{A}$

## NOTE:

- $V_{CC} = 2.2 \text{ to } 5.5 \text{ V}, T_{opr} = -20 \text{ to } 85^{\circ}\text{C}$  (N version) /  $-40 \text{ to } 85^{\circ}\text{C}$  (D version), unless otherwise specified.

**Table 5.12 Power Supply Circuit Timing Characteristics**

Symbol	Parameter	Condition	Standard			Unit
			Min.	Typ.	Max.	
$t_{d(P-R)}$	Time for internal power supply stabilization during power-on <sup>(2)</sup>		1	–	2000	$\mu\text{s}$
$t_{d(R-S)}$	STOP exit time <sup>(3)</sup>		–	–	150	$\mu\text{s}$

## NOTES:

- The measurement condition is  $V_{CC} = 2.2 \text{ to } 5.5 \text{ V}$  and  $T_{opr} = 25^{\circ}\text{C}$ .
- Waiting time until the internal power supply generation circuit stabilizes during power-on.
- Time until system clock supply starts after the interrupt is acknowledged to exit stop mode.

**Table 5.13 Electrical Characteristics (1) [V<sub>CC</sub> = 5 V]**

Symbol	Parameter		Condition	Standard			Unit	
				Min.	Typ.	Max.		
V <sub>OH</sub>	Output "H" voltage	Except P2_0 to P2_7, XOUT	I <sub>OH</sub> = -5 mA		V <sub>CC</sub> - 2.0	-	V <sub>CC</sub>	V
			I <sub>OH</sub> = -200 μA		V <sub>CC</sub> - 0.5	-	V <sub>CC</sub>	V
		P2_0 to P2_7	Drive capacity HIGH	I <sub>OH</sub> = -20 mA	V <sub>CC</sub> - 2.0	-	V <sub>CC</sub>	V
			Drive capacity LOW	I <sub>OH</sub> = -5 mA	V <sub>CC</sub> - 2.0	-	V <sub>CC</sub>	V
		XOUT	Drive capacity HIGH	I <sub>OH</sub> = -1 mA	V <sub>CC</sub> - 2.0	-	V <sub>CC</sub>	V
			Drive capacity LOW	I <sub>OH</sub> = -500 μA	V <sub>CC</sub> - 2.0	-	V <sub>CC</sub>	V
V <sub>OL</sub>	Output "L" voltage	Except P2_0 to P2_7, XOUT	I <sub>OL</sub> = 5 mA		-	-	2.0	V
			I <sub>OL</sub> = 200 μA		-	-	0.45	V
		P2_0 to P2_7	Drive capacity HIGH	I <sub>OL</sub> = 20 mA	-	-	2.0	V
			Drive capacity LOW	I <sub>OL</sub> = 5 mA	-	-	2.0	V
		XOUT	Drive capacity HIGH	I <sub>OL</sub> = 1 mA	-	-	2.0	V
			Drive capacity LOW	I <sub>OL</sub> = 500 μA	-	-	2.0	V
V <sub>T+</sub> -V <sub>T-</sub>	Hysteresis	INT0, INT1, INT3, K10, K11, K12, K13, TRAI0, RXD0, RXD2, CLK0, CLK2			0.1	0.5	-	V
		RESET			0.1	1.0	-	V
I <sub>IH</sub>	Input "H" current		V <sub>I</sub> = 5 V, V <sub>CC</sub> = 5 V		-	-	5.0	μA
I <sub>IL</sub>	Input "L" current		V <sub>I</sub> = 0 V, V <sub>CC</sub> = 5 V		-	-	-5.0	μA
R <sub>PULLUP</sub>	Pull-up resistance		V <sub>I</sub> = 0 V, V <sub>CC</sub> = 5 V		30	50	167	kΩ
R <sub>iXIN</sub>	Feedback resistance	XIN			-	1.0	-	MΩ
V <sub>RAM</sub>	RAM hold voltage		During stop mode		1.8	-	-	V

## NOTE:

- V<sub>CC</sub> = 4.2 to 5.5 V at T<sub>opr</sub> = -20 to 85°C (N version) / -40 to 85°C (D version), f(XIN) = 20 MHz, unless otherwise specified.



**Table 5.14 Electrical Characteristics (2) [V<sub>CC</sub> = 5 V]**  
**(T<sub>opr</sub> = –20 to 85°C (N version) / –40 to 85°C (D version), unless otherwise specified.)**

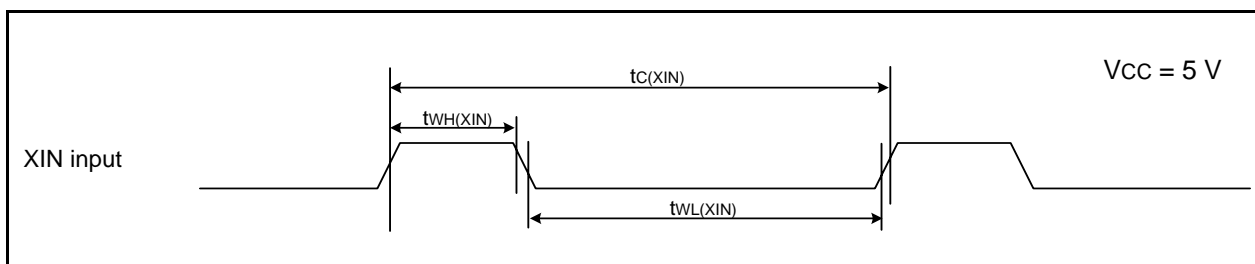
Symbol	Parameter	Condition	Standard			Unit	
			Min.	Typ.	Max.		
I <sub>CC</sub>	Power supply current (V <sub>CC</sub> = 3.3 to 5.5 V) Single-chip mode, output pins are open, other pins are V <sub>SS</sub>	High-speed clock mode	XIN = 20 MHz (square wave) High-speed on-chip oscillator off Low-speed on-chip oscillator on = 125 kHz No division	–	10	17	mA
			XIN = 16 MHz (square wave) High-speed on-chip oscillator off Low-speed on-chip oscillator on = 125 kHz No division	–	9	15	mA
			XIN = 10 MHz (square wave) High-speed on-chip oscillator off Low-speed on-chip oscillator on = 125 kHz No division	–	6	–	mA
			XIN = 20 MHz (square wave) High-speed on-chip oscillator off Low-speed on-chip oscillator on = 125 kHz Divide-by-8	–	5	–	mA
			XIN = 16 MHz (square wave) High-speed on-chip oscillator off Low-speed on-chip oscillator on = 125 kHz Divide-by-8	–	4	–	mA
			XIN = 10 MHz (square wave) High-speed on-chip oscillator off Low-speed on-chip oscillator on = 125 kHz Divide-by-8	–	2.5	–	mA
			High-speed on-chip oscillator mode	XIN clock off High-speed on-chip oscillator on f <sub>OCO</sub> = 20 MHz Low-speed on-chip oscillator on = 125 kHz No division	–	10	15
		XIN clock off High-speed on-chip oscillator on f <sub>OCO</sub> = 20 MHz Low-speed on-chip oscillator on = 125 kHz Divide-by-8		–	4	–	mA
		XIN clock off High-speed on-chip oscillator on f <sub>OCO</sub> = 10 MHz Low-speed on-chip oscillator on = 125 kHz No division		–	5.5	10	mA
		XIN clock off High-speed on-chip oscillator on f <sub>OCO</sub> = 10 MHz Low-speed on-chip oscillator on = 125 kHz Divide-by-8		–	2.5	–	mA
		Low-speed on-chip oscillator mode	XIN clock off High-speed on-chip oscillator off Low-speed on-chip oscillator on = 125 kHz Divide-by-8, FMR47 = 1	–	130	300	μA

**Table 5.15 Electrical Characteristics (3) [V<sub>CC</sub> = 5 V]**  
**(T<sub>opr</sub> = -20 to 85°C (N version) / -40 to 85°C (D version), unless otherwise specified.)**

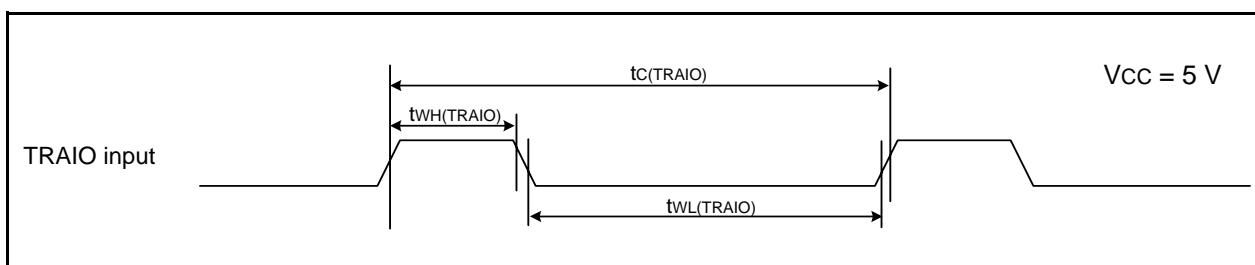
Symbol	Parameter	Condition	Standard			Unit	
			Min.	Typ.	Max.		
I <sub>CC</sub>	Power supply current (V <sub>CC</sub> = 3.3 to 5.5 V) Single-chip mode, output pins are open, other pins are V <sub>SS</sub>	Wait mode	XIN clock off High-speed on-chip oscillator off Low-speed on-chip oscillator on = 125 kHz While a WAIT instruction is executed Peripheral clock operation VCA27 = VCA26 = VCA25 = 0 VCA20 = 1	-	25	75	μA
			XIN clock off High-speed on-chip oscillator off Low-speed on-chip oscillator on = 125 kHz While a WAIT instruction is executed Peripheral clock off VCA27 = VCA26 = VCA25 = 0 VCA20 = 1	-	23	60	μA
		Stop mode	XIN clock off, T <sub>opr</sub> = 25°C High-speed on-chip oscillator off Low-speed on-chip oscillator off CM10 = 1 Peripheral clock off VCA27 = VCA26 = VCA25 = 0	-	0.8	3.0	μA
			XIN clock off, T <sub>opr</sub> = 85°C High-speed on-chip oscillator off Low-speed on-chip oscillator off CM10 = 1 Peripheral clock off VCA27 = VCA26 = VCA25 = 0	-	1.2	-	μA

**Timing Requirements****(Unless Otherwise Specified:  $V_{CC} = 5\text{ V}$ ,  $V_{SS} = 0\text{ V}$  at  $T_{opr} = 25^\circ\text{C}$ ) [ $V_{CC} = 5\text{ V}$ ]****Table 5.16 XIN Input**

Symbol	Parameter	Standard		Unit
		Min.	Max.	
$t_{c(XIN)}$	XIN input cycle time	50	–	ns
$t_{WH(XIN)}$	XIN input "H" width	25	–	ns
$t_{WL(XIN)}$	XIN input "L" width	25	–	ns

**Figure 5.4 XIN Input Timing Diagram when  $V_{CC} = 5\text{ V}$** **Table 5.17 TRAIO Input**

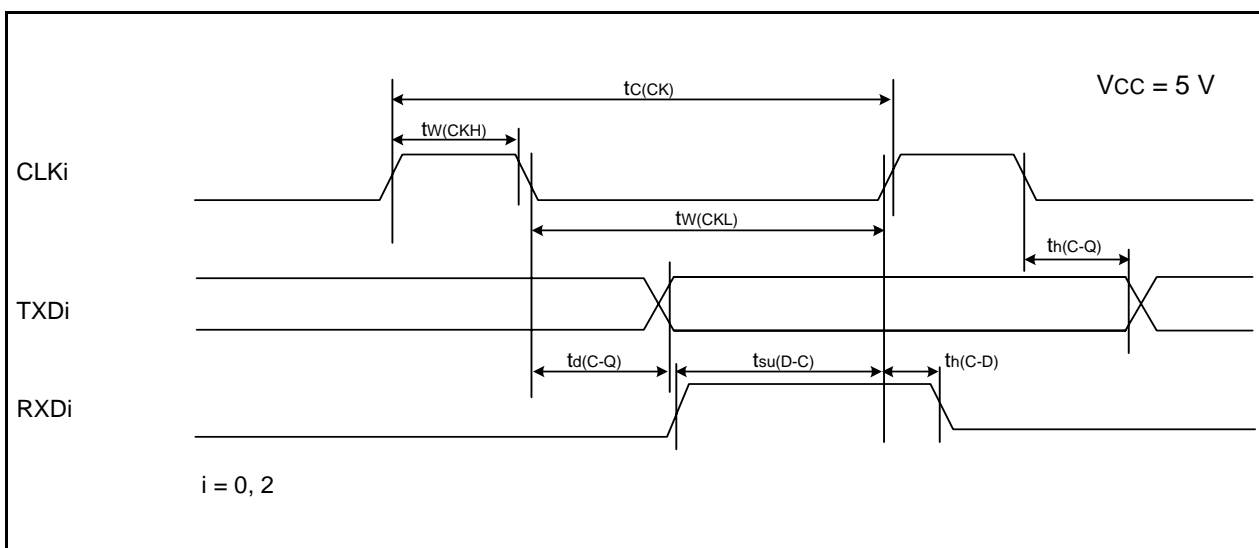
Symbol	Parameter	Standard		Unit
		Min.	Max.	
$t_{c(TRAIO)}$	TRAIO input cycle time	100	–	ns
$t_{WH(TRAIO)}$	TRAIO input "H" width	40	–	ns
$t_{WL(TRAIO)}$	TRAIO input "L" width	40	–	ns

**Figure 5.5 TRAIO Input Timing Diagram when  $V_{CC} = 5\text{ V}$**

**Table 5.18 Serial Interface**

Symbol	Parameter	Standard		Unit
		Min.	Max.	
$t_{c(CK)}$	CLKi input cycle time	200	–	ns
$t_{w(CKH)}$	CLKi input “H” width	100	–	ns
$t_{w(CKL)}$	CLKi input “L” width	100	–	ns
$t_{d(C-Q)}$	TXDi output delay time	–	50	ns
$t_{h(C-Q)}$	TXDi hold time	0	–	ns
$t_{su(D-C)}$	RXDi input setup time	50	–	ns
$t_{h(C-D)}$	RXDi input hold time	90	–	ns

$i = 0, 2$



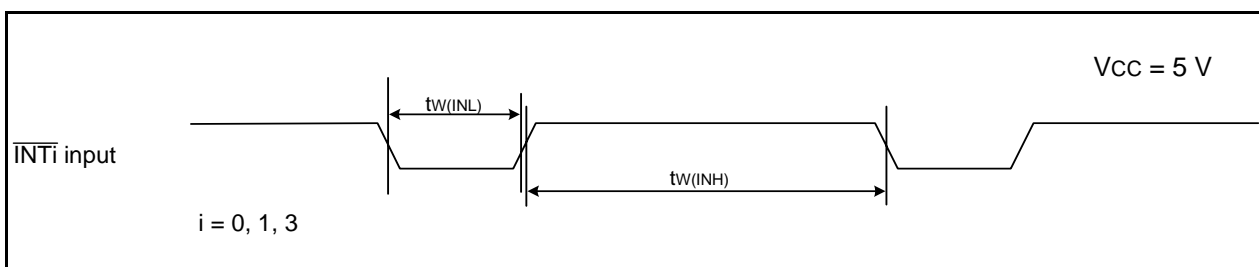
**Figure 5.6 Serial Interface Timing Diagram when Vcc = 5 V**

**Table 5.19 External Interrupt  $\overline{INTi}$  ( $i = 0, 1, 3$ ) Input**

Symbol	Parameter	Standard		Unit
		Min.	Max.	
$t_{w(INH)}$	$\overline{INTi}$ input “H” width	250 <sup>(1)</sup>	–	ns
$t_{w(INL)}$	$\overline{INTi}$ input “L” width	250 <sup>(2)</sup>	–	ns

NOTES:

- When selecting the digital filter by the  $\overline{INTi}$  input filter select bit, use an  $\overline{INTi}$  input HIGH width of either (1/digital filter clock frequency × 3) or the minimum value of standard, whichever is greater.
- When selecting the digital filter by the  $\overline{INTi}$  input filter select bit, use an  $\overline{INTi}$  input LOW width of either (1/digital filter clock frequency × 3) or the minimum value of standard, whichever is greater.



**Figure 5.7 External Interrupt  $\overline{INTi}$  Input Timing Diagram when Vcc = 5 V**

**Table 5.20 Electrical Characteristics (1) [V<sub>CC</sub> = 3 V]**

Symbol	Parameter		Condition		Standard			Unit
					Min.	Typ.	Max.	
V <sub>OH</sub>	Output "H" voltage	Except P2_0 to P2_7, XOUT	I <sub>OH</sub> = -1 mA		V <sub>CC</sub> - 0.5	-	V <sub>CC</sub>	V
		P2_0 to P2_7	Drive capacity HIGH	I <sub>OH</sub> = -5 mA	V <sub>CC</sub> - 0.5	-	V <sub>CC</sub>	V
			Drive capacity LOW	I <sub>OH</sub> = -1 mA	V <sub>CC</sub> - 0.5	-	V <sub>CC</sub>	V
		XOUT	Drive capacity HIGH	I <sub>OH</sub> = -0.1 mA	V <sub>CC</sub> - 0.5	-	V <sub>CC</sub>	V
			Drive capacity LOW	I <sub>OH</sub> = -50 μA	V <sub>CC</sub> - 0.5	-	V <sub>CC</sub>	V
V <sub>OL</sub>	Output "L" voltage	Except P2_0 to P2_7, XOUT	I <sub>OL</sub> = 1 mA		-	-	0.5	V
		P2_0 to P2_7	Drive capacity HIGH	I <sub>OL</sub> = 5 mA	-	-	0.5	V
			Drive capacity LOW	I <sub>OL</sub> = 1 mA	-	-	0.5	V
		XOUT	Drive capacity HIGH	I <sub>OL</sub> = 0.1 mA	-	-	0.5	V
			Drive capacity LOW	I <sub>OL</sub> = 50 μA	-	-	0.5	V
V <sub>T+</sub> -V <sub>T-</sub>	Hysteresis	$\overline{\text{INT0}}, \overline{\text{INT1}}, \overline{\text{INT3}},$ $\overline{\text{KI0}}, \overline{\text{KI1}}, \overline{\text{KI2}}, \overline{\text{KI3}},$ $\overline{\text{TRAIO}}, \overline{\text{RXD0}}, \overline{\text{RXD2}},$ $\overline{\text{CLK0}}, \overline{\text{CLK2}}$			0.1	0.3	-	V
		$\overline{\text{RESET}}$			0.1	0.4	-	V
I <sub>IH</sub>	Input "H" current		V <sub>I</sub> = 3 V, V <sub>CC</sub> = 3 V		-	-	4.0	μA
I <sub>IL</sub>	Input "L" current		V <sub>I</sub> = 0 V, V <sub>CC</sub> = 3 V		-	-	-4.0	μA
R <sub>PULLUP</sub>	Pull-up resistance		V <sub>I</sub> = 0 V, V <sub>CC</sub> = 3 V		66	160	500	kΩ
R <sub>iXIN</sub>	Feedback resistance	XIN			-	3.0	-	MΩ
V <sub>RAM</sub>	RAM hold voltage		During stop mode		1.8	-	-	V

## NOTE:

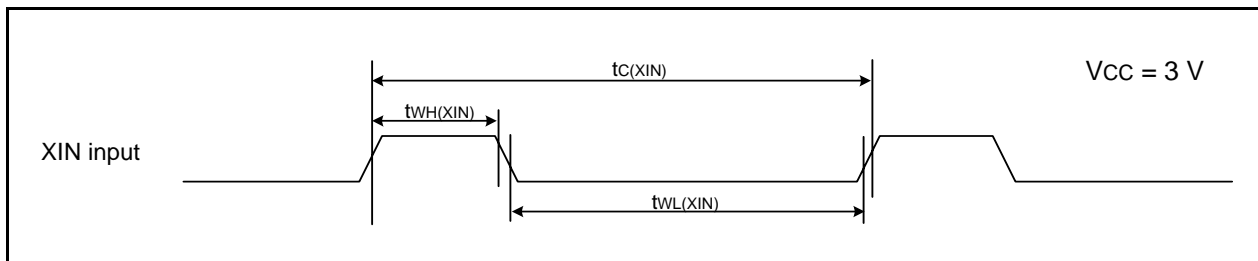
- V<sub>CC</sub> = 2.7 to 3.3 V at T<sub>opr</sub> = -20 to 85°C (N version) / -40 to 85°C (D version), f(XIN) = 10 MHz, unless otherwise specified.

**Table 5.21 Electrical Characteristics (2) [V<sub>CC</sub> = 3 V]  
(T<sub>opr</sub> = –20 to 85°C (N version) / –40 to 85°C (D version), unless otherwise specified.)**

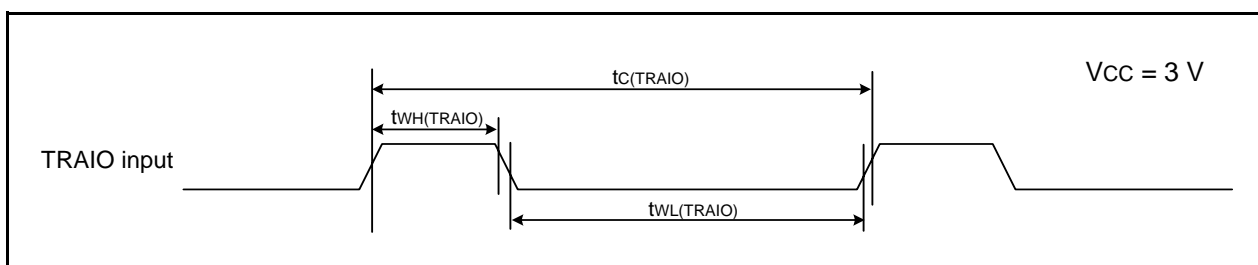
Symbol	Parameter	Condition	Standard			Unit	
			Min.	Typ.	Max.		
I <sub>CC</sub>	Power supply current (V <sub>CC</sub> = 2.7 to 3.3 V) Single-chip mode, output pins are open, other pins are V <sub>SS</sub>	High-speed clock mode	XIN = 10 MHz (square wave) High-speed on-chip oscillator off Low-speed on-chip oscillator on = 125 kHz No division	–	6	–	mA
			XIN = 10 MHz (square wave) High-speed on-chip oscillator off Low-speed on-chip oscillator on = 125 kHz Divide-by-8	–	2	–	mA
		High-speed on-chip oscillator mode	XIN clock off High-speed on-chip oscillator on f <sub>OCO</sub> = 10 MHz Low-speed on-chip oscillator on = 125 kHz No division	–	5	9	mA
			XIN clock off High-speed on-chip oscillator on f <sub>OCO</sub> = 10 MHz Low-speed on-chip oscillator on = 125 kHz Divide-by-8	–	2	–	mA
		Low-speed on-chip oscillator mode	XIN clock off High-speed on-chip oscillator off Low-speed on-chip oscillator on = 125 kHz Divide-by-8, FMR47 = 1	–	130	300	μA
		Wait mode	XIN clock off High-speed on-chip oscillator off Low-speed on-chip oscillator on = 125 kHz While a WAIT instruction is executed Peripheral clock operation VCA27 = VCA26 = VCA25 = 0 VCA20 = 1	–	25	70	μA
			XIN clock off High-speed on-chip oscillator off Low-speed on-chip oscillator on = 125 kHz While a WAIT instruction is executed Peripheral clock off VCA27 = VCA26 = VCA25 = 0 VCA20 = 1	–	23	55	μA
		Stop mode	XIN clock off, T <sub>opr</sub> = 25°C High-speed on-chip oscillator off Low-speed on-chip oscillator off CM10 = 1 Peripheral clock off VCA27 = VCA26 = VCA25 = 0	–	0.7	3.0	μA
			XIN clock off, T <sub>opr</sub> = 85°C High-speed on-chip oscillator off Low-speed on-chip oscillator off CM10 = 1 Peripheral clock off VCA27 = VCA26 = VCA25 = 0	–	1.1	–	μA

**Timing requirements****(Unless Otherwise Specified:  $V_{CC} = 3\text{ V}$ ,  $V_{SS} = 0\text{ V}$  at  $T_{opr} = 25^{\circ}\text{C}$ ) [ $V_{CC} = 3\text{ V}$ ]****Table 5.22 XIN Input**

Symbol	Parameter	Standard		Unit
		Min.	Max.	
$t_{c(XIN)}$	XIN input cycle time	100	–	ns
$t_{WH(XIN)}$	XIN input "H" width	40	–	ns
$t_{WL(XIN)}$	XIN input "L" width	40	–	ns

**Figure 5.8 XIN Input Timing Diagram when  $V_{CC} = 3\text{ V}$** **Table 5.23 TRAI0 Input**

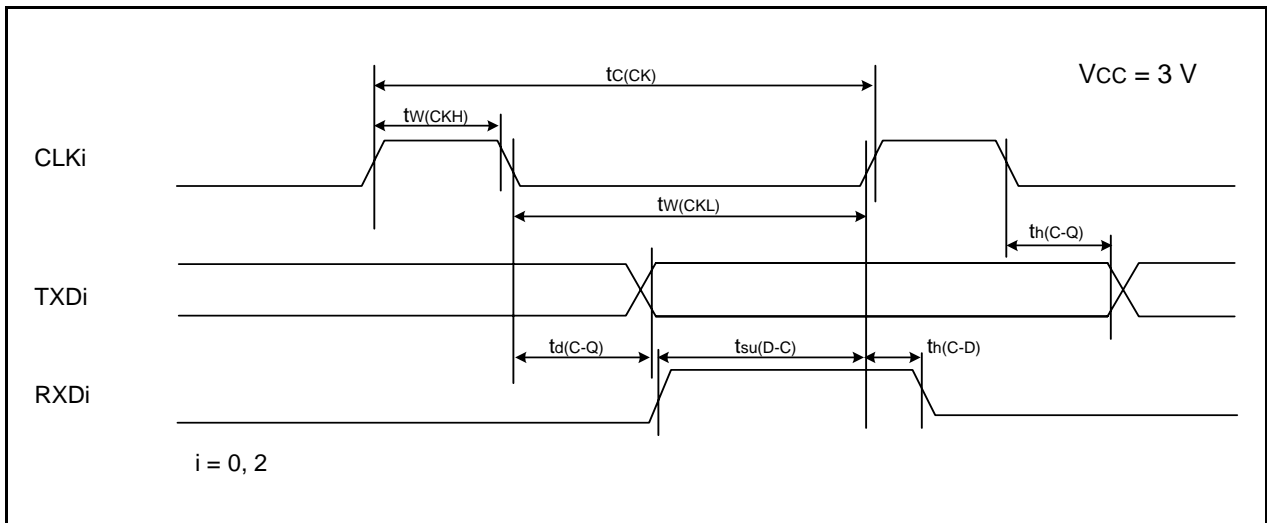
Symbol	Parameter	Standard		Unit
		Min.	Max.	
$t_{c(TRAIO)}$	TRAIO input cycle time	300	–	ns
$t_{WH(TRAIO)}$	TRAIO input "H" width	120	–	ns
$t_{WL(TRAIO)}$	TRAIO input "L" width	120	–	ns

**Figure 5.9 TRAI0 Input Timing Diagram when  $V_{CC} = 3\text{ V}$**

**Table 5.24 Serial Interface**

Symbol	Parameter	Standard		Unit
		Min.	Max.	
$t_{c(CK)}$	CLKi input cycle time	300	–	ns
$t_{w(CKH)}$	CLKi input “H” width	150	–	ns
$t_{w(CKL)}$	CLKi Input “L” width	150	–	ns
$t_{d(C-Q)}$	TXDi output delay time	–	80	ns
$t_h(C-Q)$	TXDi hold time	0	–	ns
$t_{su(D-C)}$	RXDi input setup time	70	–	ns
$t_h(C-D)$	RXDi input hold time	90	–	ns

$i = 0, 2$



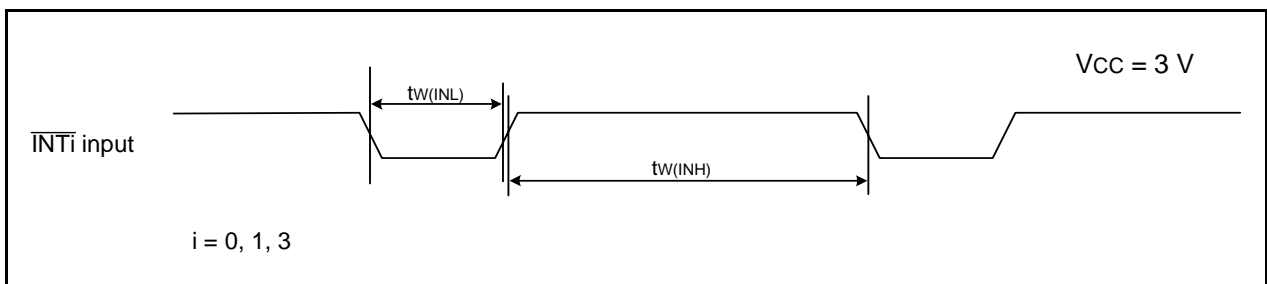
**Figure 5.10 Serial Interface Timing Diagram when Vcc = 3 V**

**Table 5.25 External Interrupt  $\overline{INTi}$  ( $i = 0, 1, 3$ ) Input**

Symbol	Parameter	Standard		Unit
		Min.	Max.	
$t_{w(INH)}$	$\overline{INTi}$ input “H” width	380 <sup>(1)</sup>	–	ns
$t_{w(INL)}$	$\overline{INTi}$ input “L” width	380 <sup>(2)</sup>	–	ns

NOTES:

1. When selecting the digital filter by the  $\overline{INTi}$  input filter select bit, use an  $\overline{INTi}$  input HIGH width of either (1/digital filter clock frequency × 3) or the minimum value of standard, whichever is greater.
2. When selecting the digital filter by the  $\overline{INTi}$  input filter select bit, use an  $\overline{INTi}$  input LOW width of either (1/digital filter clock frequency × 3) or the minimum value of standard, whichever is greater.



**Figure 5.11 External Interrupt  $\overline{INTi}$  Input Timing Diagram when Vcc = 3 V**



**Table 5.26 Electrical Characteristics (1) [V<sub>CC</sub> = 2.2 V]**

Symbol	Parameter		Condition		Standard			Unit
					Min.	Typ.	Max.	
V <sub>OH</sub>	Output "H" voltage	Except P2_0 to P2_7, XOUT	I <sub>OH</sub> = -1 mA		V <sub>CC</sub> - 0.5	-	V <sub>CC</sub>	V
		P2_0 to P2_7	Drive capacity HIGH	I <sub>OH</sub> = -2 mA	V <sub>CC</sub> - 0.5	-	V <sub>CC</sub>	V
			Drive capacity LOW	I <sub>OH</sub> = -1 mA	V <sub>CC</sub> - 0.5	-	V <sub>CC</sub>	V
		XOUT	Drive capacity HIGH	I <sub>OH</sub> = -0.1 mA	V <sub>CC</sub> - 0.5	-	V <sub>CC</sub>	V
			Drive capacity LOW	I <sub>OH</sub> = -50 μA	V <sub>CC</sub> - 0.5	-	V <sub>CC</sub>	V
V <sub>OL</sub>	Output "L" voltage	Except P2_0 to P2_7, XOUT	I <sub>OL</sub> = 1 mA		-	-	0.5	V
		P2_0 to P2_7	Drive capacity HIGH	I <sub>OL</sub> = 2 mA	-	-	0.5	V
			Drive capacity LOW	I <sub>OL</sub> = 1 mA	-	-	0.5	V
		XOUT	Drive capacity HIGH	I <sub>OL</sub> = 0.1 mA	-	-	0.5	V
			Drive capacity LOW	I <sub>OL</sub> = 50 μA	-	-	0.5	V
V <sub>T+</sub> -V <sub>T-</sub>	Hysteresis	$\overline{\text{INT0}}, \overline{\text{INT1}}, \overline{\text{INT3}}, \overline{\text{KI0}}, \overline{\text{KI1}}, \overline{\text{KI2}}, \overline{\text{KI3}}, \overline{\text{TRAIO}}, \overline{\text{RXD0}}, \overline{\text{RXD2}}, \overline{\text{CLK0}}, \overline{\text{CLK2}}$			0.05	0.3	-	V
		$\overline{\text{RESET}}$			0.05	0.15	-	V
I <sub>IH</sub>	Input "H" current		V <sub>I</sub> = 2.2 V		-	-	4.0	μA
I <sub>IL</sub>	Input "L" current		V <sub>I</sub> = 0 V		-	-	-4.0	μA
R <sub>PULLUP</sub>	Pull-up resistance		V <sub>I</sub> = 0 V		100	200	600	kΩ
R <sub>iXIN</sub>	Feedback resistance	XIN			-	5	-	MΩ
V <sub>RAM</sub>	RAM hold voltage		During stop mode		1.8	-	-	V

## NOTE:

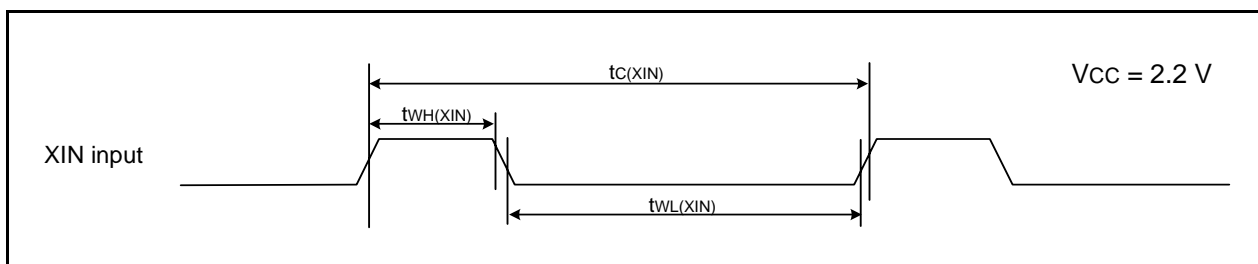
- V<sub>CC</sub> = 2.2 V at T<sub>opr</sub> = -20 to 85°C (N version) / -40 to 85°C (D version), f(XIN) = 5 MHz, unless otherwise specified.

**Table 5.27 Electrical Characteristics (2) [V<sub>CC</sub> = 2.2 V]  
(T<sub>opr</sub> = –20 to 85°C (N version) / –40 to 85°C (D version), unless otherwise specified.)**

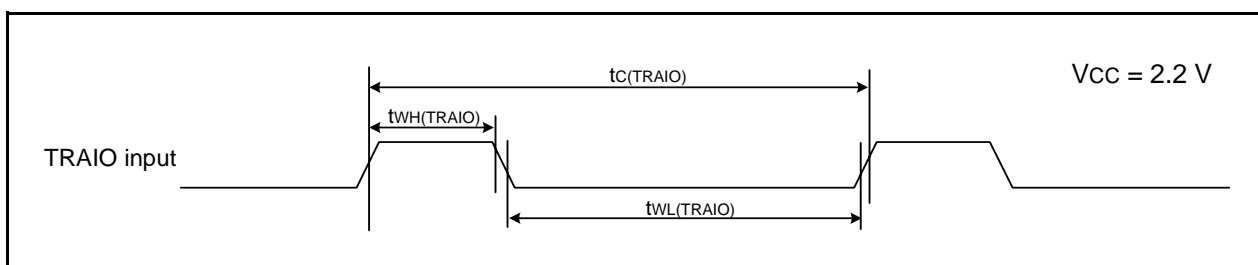
Symbol	Parameter	Condition	Standard			Unit	
			Min.	Typ.	Max.		
I <sub>CC</sub>	Power supply current (V <sub>CC</sub> = 2.2 to 2.7 V) Single-chip mode, output pins are open, other pins are V <sub>SS</sub>	High-speed clock mode	XIN = 5 MHz (square wave) High-speed on-chip oscillator off Low-speed on-chip oscillator on = 125 kHz No division	–	3.5	–	mA
			XIN = 5 MHz (square wave) High-speed on-chip oscillator off Low-speed on-chip oscillator on = 125 kHz Divide-by-8	–	1.5	–	mA
		High-speed on-chip oscillator mode	XIN clock off High-speed on-chip oscillator on f <sub>OCO</sub> = 5 MHz Low-speed on-chip oscillator on = 125 kHz No division	–	3.5	–	mA
			XIN clock off High-speed on-chip oscillator on f <sub>OCO</sub> = 5 MHz Low-speed on-chip oscillator on = 125 kHz Divide-by-8	–	1.5	–	mA
		Low-speed on-chip oscillator mode	XIN clock off High-speed on-chip oscillator off Low-speed on-chip oscillator on = 125 kHz Divide-by-8, FMR47 = 1	–	100	230	μA
		Wait mode	XIN clock off High-speed on-chip oscillator off Low-speed on-chip oscillator on = 125 kHz While a WAIT instruction is executed Peripheral clock operation VCA27 = VCA26 = VCA25 = 0 VCA20 = 1	–	22	60	μA
			XIN clock off High-speed on-chip oscillator off Low-speed on-chip oscillator on = 125 kHz While a WAIT instruction is executed Peripheral clock off VCA27 = VCA26 = VCA25 = 0 VCA20 = 1	–	20	55	μA
		Stop mode	XIN clock off, T <sub>opr</sub> = 25°C High-speed on-chip oscillator off Low-speed on-chip oscillator off CM10 = 1 Peripheral clock off VCA27 = VCA26 = VCA25 = 0	–	0.7	3.0	μA
			XIN clock off, T <sub>opr</sub> = 85°C High-speed on-chip oscillator off Low-speed on-chip oscillator off CM10 = 1 Peripheral clock off VCA27 = VCA26 = VCA25 = 0	–	1.1	–	μA

**Timing requirements****(Unless Otherwise Specified:  $V_{CC} = 2.2\text{ V}$ ,  $V_{SS} = 0\text{ V}$  at  $T_{opr} = 25^\circ\text{C}$ ) [ $V_{CC} = 2.2\text{ V}$ ]****Table 5.28 XIN Input**

Symbol	Parameter	Standard		Unit
		Min.	Max.	
$t_{c(XIN)}$	XIN input cycle time	200	–	ns
$t_{WH(XIN)}$	XIN input "H" width	90	–	ns
$t_{WL(XIN)}$	XIN input "L" width	90	–	ns

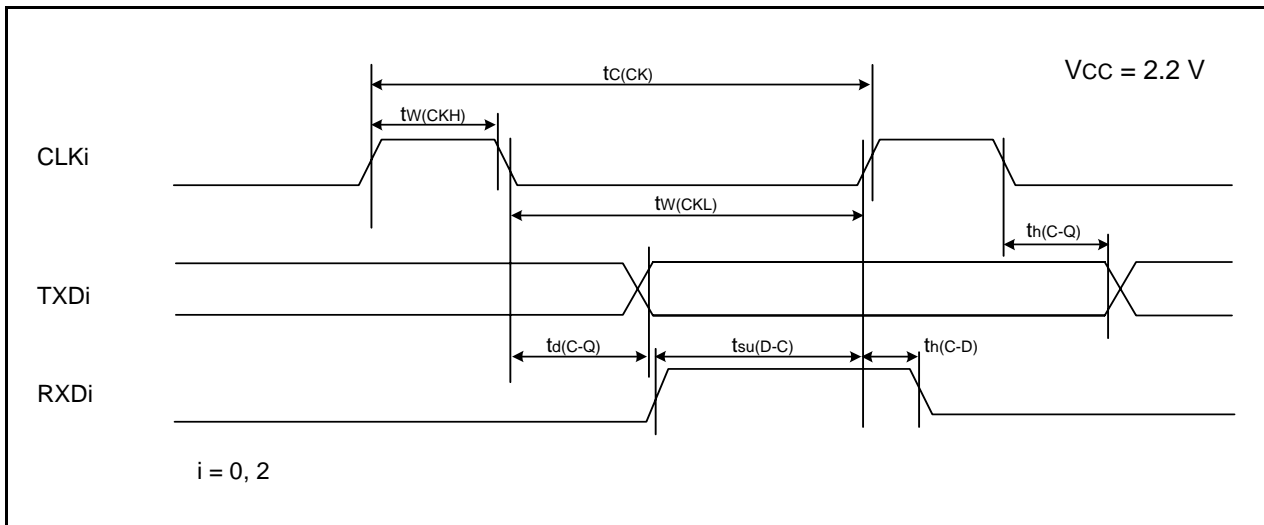
**Figure 5.12 XIN Input Timing Diagram when  $V_{CC} = 2.2\text{ V}$** **Table 5.29 TRAI0 Input**

Symbol	Parameter	Standard		Unit
		Min.	Max.	
$t_{c(TRAIO)}$	TRAIO input cycle time	500	–	ns
$t_{WH(TRAIO)}$	TRAIO input "H" width	200	–	ns
$t_{WL(TRAIO)}$	TRAIO input "L" width	200	–	ns

**Figure 5.13 TRAI0 Input Timing Diagram when  $V_{CC} = 2.2\text{ V}$**

**Table 5.30 Serial Interface**

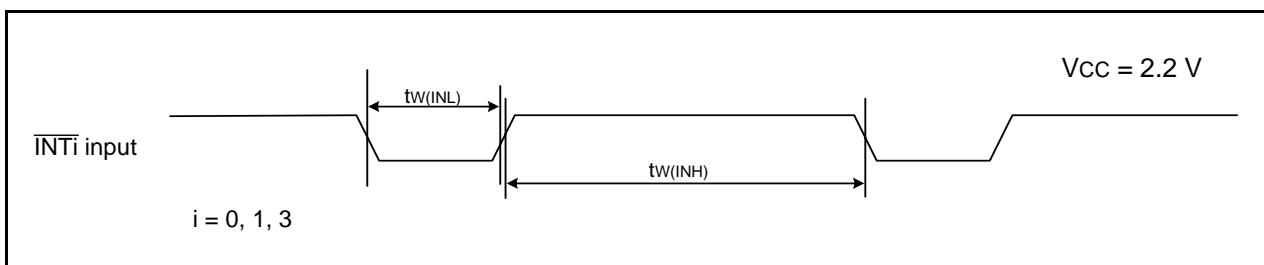
Symbol	Parameter	Standard		Unit
		Min.	Max.	
$t_{c(CK)}$	CLKi input cycle time	800	–	ns
$t_{w(CKH)}$	CLKi input "H" width	400	–	ns
$t_{w(CKL)}$	CLKi input "L" width	400	–	ns
$t_{d(C-Q)}$	TXDi output delay time	–	200	ns
$t_{h(C-Q)}$	TXDi hold time	0	–	ns
$t_{su(D-C)}$	RXDi input setup time	150	–	ns
$t_{h(C-D)}$	RXDi input hold time	90	–	ns

 $i = 0, 2$ **Figure 5.14 Serial Interface Timing Diagram when Vcc = 2.2 V****Table 5.31 External Interrupt  $\overline{INTi}$  ( $i = 0, 1, 3$ ) Input**

Symbol	Parameter	Standard		Unit
		Min.	Max.	
$t_{w(INH)}$	$\overline{INTi}$ input "H" width	1000 <sup>(1)</sup>	–	ns
$t_{w(INL)}$	$\overline{INTi}$ input "L" width	1000 <sup>(2)</sup>	–	ns

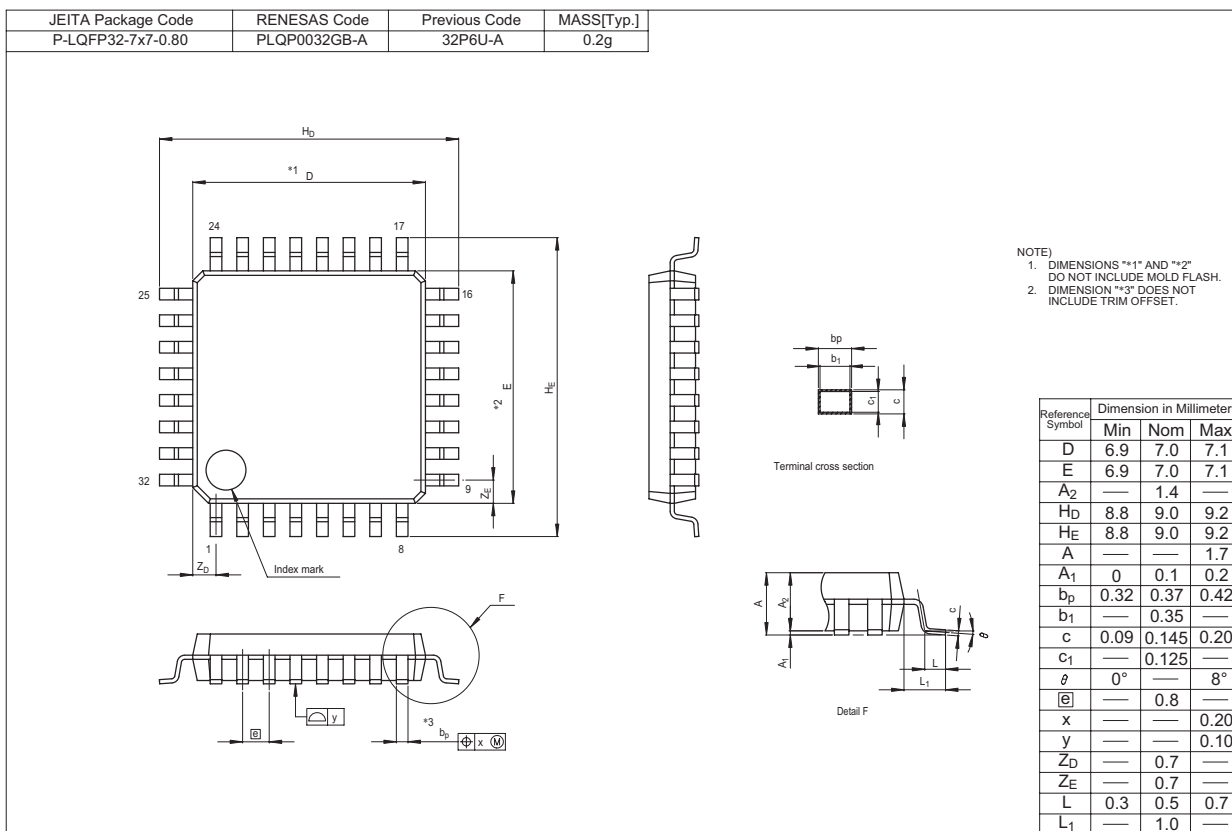
## NOTES:

- When selecting the digital filter by the  $\overline{INTi}$  input filter select bit, use an  $\overline{INTi}$  input HIGH width of either (1/digital filter clock frequency  $\times$  3) or the minimum value of standard, whichever is greater.
- When selecting the digital filter by the  $\overline{INTi}$  input filter select bit, use an  $\overline{INTi}$  input LOW width of either (1/digital filter clock frequency  $\times$  3) or the minimum value of standard, whichever is greater.

**Figure 5.15 External Interrupt  $\overline{INTi}$  Input Timing Diagram when Vcc = 2.2 V**

### Package Dimensions

Diagrams showing the latest package dimensions and mounting information are available in the “Packages” section of the Renesas Technology website.



REVISION HISTORY

R8C/2K Group, R8C/2L Group Datasheet

Rev.	Date	Description	
		Page	Summary
0.10	Jul 20, 2007	–	First Edition issued
1.00	Nov 07, 2007	All pages	“Preliminary” deleted
		3, 5	Table 1.2, Table 1.4; Current consumption: “TBD” → “Typ. 10 mA” “Typ. 6 mA” “Typ. 2.0 μA” “Typ. 0.7 μA” revised
		6, 7	Table 1.5, Table 1.6 revised Figure 1.1, Figure 1.2; ROM number “XXX” added, NOTE1 added
		20	Table 4.4 “005Fh” “006Fh” “007Fh” “008Fh” added
		24	Table 5.2 NOTE2 revised
		32, 33	Table 5.14, Table 5.15 revised
		37, 41	Table 5.21, Table 5.27 revised
1.10	Dec 21, 2007	3, 5	Table 1.2, Table 1.4; revised, NOTE2 added
		6, 7	Figure 1.1, Figure 1.2; “Y: Operating ambient ....”, NOTE1 added
		15, 16	Figure 3.1, Figure 3.2; “Expanded area” deleted
		17	Table 4.1 “002Ch” added, “003Bh” “003Ch” “003Dh” deleted
		20	Table 4.4 “00D4h” “00D6h” revised
		22	Table 4.6 “0143h” revised
		24	5. “The electrical characteristics ....” added
		31	Table 5.10 Symbol “fOCO40M”: Parameter added, NOTE4 added

All trademarks and registered trademarks are the property of their respective owners.

Notes:

1. This document is provided for reference purposes only so that Renesas customers may select the appropriate Renesas products for their use. Renesas neither makes warranties or representations with respect to the accuracy or completeness of the information contained in this document nor grants any license to any intellectual property rights or any other rights of Renesas or any third party with respect to the information in this document.
2. Renesas shall have no liability for damages or infringement of any intellectual property or other rights arising out of the use of any information in this document, including, but not limited to, product data, diagrams, charts, programs, algorithms, and application circuit examples.
3. You should not use the products or the technology described in this document for the purpose of military applications such as the development of weapons of mass destruction or for the purpose of any other military use. When exporting the products or technology described herein, you should follow the applicable export control laws and regulations, and procedures required by such laws and regulations.
4. All information included in this document such as product data, diagrams, charts, programs, algorithms, and application circuit examples, is current as of the date this document is issued. Such information, however, is subject to change without any prior notice. Before purchasing or using any Renesas products listed in this document, please confirm the latest product information with a Renesas sales office. Also, please pay regular and careful attention to additional and different information to be disclosed by Renesas such as that disclosed through our website. (<http://www.renesas.com>)
5. Renesas has used reasonable care in compiling the information included in this document, but Renesas assumes no liability whatsoever for any damages incurred as a result of errors or omissions in the information included in this document.
6. When using or otherwise relying on the information in this document, you should evaluate the information in light of the total system before deciding about the applicability of such information to the intended application. Renesas makes no representations, warranties or guarantees regarding the suitability of its products for any particular application and specifically disclaims any liability arising out of the application and use of the information in this document or Renesas products.
7. With the exception of products specified by Renesas as suitable for automobile applications, Renesas products are not designed, manufactured or tested for applications or otherwise in systems the failure or malfunction of which may cause a direct threat to human life or create a risk of human injury or which require especially high quality and reliability such as safety systems, or equipment or systems for transportation and traffic, healthcare, combustion control, aerospace and aeronautics, nuclear power, or undersea communication transmission. If you are considering the use of our products for such purposes, please contact a Renesas sales office beforehand. Renesas shall have no liability for damages arising out of the uses set forth above.
8. Notwithstanding the preceding paragraph, you should not use Renesas products for the purposes listed below:
  - (1) artificial life support devices or systems
  - (2) surgical implantations
  - (3) healthcare intervention (e.g., excision, administration of medication, etc.)
  - (4) any other purposes that pose a direct threat to human lifeRenesas shall have no liability for damages arising out of the uses set forth in the above and purchasers who elect to use Renesas products in any of the foregoing applications shall indemnify and hold harmless Renesas Technology Corp., its affiliated companies and their officers, directors, and employees against any and all damages arising out of such applications.
9. You should use the products described herein within the range specified by Renesas, especially with respect to the maximum rating, operating supply voltage range, movement power voltage range, heat radiation characteristics, installation and other product characteristics. Renesas shall have no liability for malfunctions or damages arising out of the use of Renesas products beyond such specified ranges.
10. Although Renesas endeavors to improve the quality and reliability of its products, IC products have specific characteristics such as the occurrence of failure at a certain rate and malfunctions under certain use conditions. Please be sure to implement safety measures to guard against the possibility of physical injury, and injury or damage caused by fire in the event of the failure of a Renesas product, such as safety design for hardware and software including but not limited to redundancy, fire control and malfunction prevention, appropriate treatment for aging degradation or any other applicable measures. Among others, since the evaluation of microcomputer software alone is very difficult, please evaluate the safety of the final products or system manufactured by you.
11. In case Renesas products listed in this document are detached from the products to which the Renesas products are attached or affixed, the risk of accident such as swallowing by infants and small children is very high. You should implement safety measures so that Renesas products may not be easily detached from your products. Renesas shall have no liability for damages arising out of such detachment.
12. This document may not be reproduced or duplicated, in any form, in whole or in part, without prior written approval from Renesas.
13. Please contact a Renesas sales office if you have any questions regarding the information contained in this document, Renesas semiconductor products, or if you have any other inquiries.



**RENESAS SALES OFFICES**

<http://www.renesas.com>

Refer to "<http://www.renesas.com/en/network>" for the latest and detailed information.

**Renesas Technology America, Inc.**  
450 Holger Way, San Jose, CA 95134-1368, U.S.A  
Tel: <1> (408) 382-7500, Fax: <1> (408) 382-7501

**Renesas Technology Europe Limited**  
Dukes Meadow, Millboard Road, Bourne End, Buckinghamshire, SL8 5FH, U.K.  
Tel: <44> (1628) 585-100, Fax: <44> (1628) 585-900

**Renesas Technology (Shanghai) Co., Ltd.**  
Unit 204, 205, AZIA Center, No.1233 Lujiazui Ring Rd, Pudong District, Shanghai, China 200120  
Tel: <86> (21) 5877-1818, Fax: <86> (21) 6887-7858/7898

**Renesas Technology Hong Kong Ltd.**  
7th Floor, North Tower, World Finance Centre, Harbour City, Canton Road, Tsimshatsui, Kowloon, Hong Kong  
Tel: <852> 2265-6688, Fax: <852> 2377-3473

**Renesas Technology Taiwan Co., Ltd.**  
10th Floor, No.99, Fushing North Road, Taipei, Taiwan  
Tel: <886> (2) 2715-2888, Fax: <886> (2) 3518-3399

**Renesas Technology Singapore Pte. Ltd.**  
1 Harbour Front Avenue, #06-10, Keppel Bay Tower, Singapore 098632  
Tel: <65> 6213-0200, Fax: <65> 6278-8001

**Renesas Technology Korea Co., Ltd.**  
Kukje Center Bldg. 18th Fl., 191, 2-ka, Hangang-ro, Yongsan-ku, Seoul 140-702, Korea  
Tel: <82> (2) 796-3115, Fax: <82> (2) 796-2145

**Renesas Technology Malaysia Sdn. Bhd**  
Unit 906, Block B, Menara Amcorp, Amcorp Trade Centre, No.18, Jln Persiaran Barat, 46050 Petaling Jaya, Selangor Darul Ehsan, Malaysia  
Tel: <603> 7955-9390, Fax: <603> 7955-9510