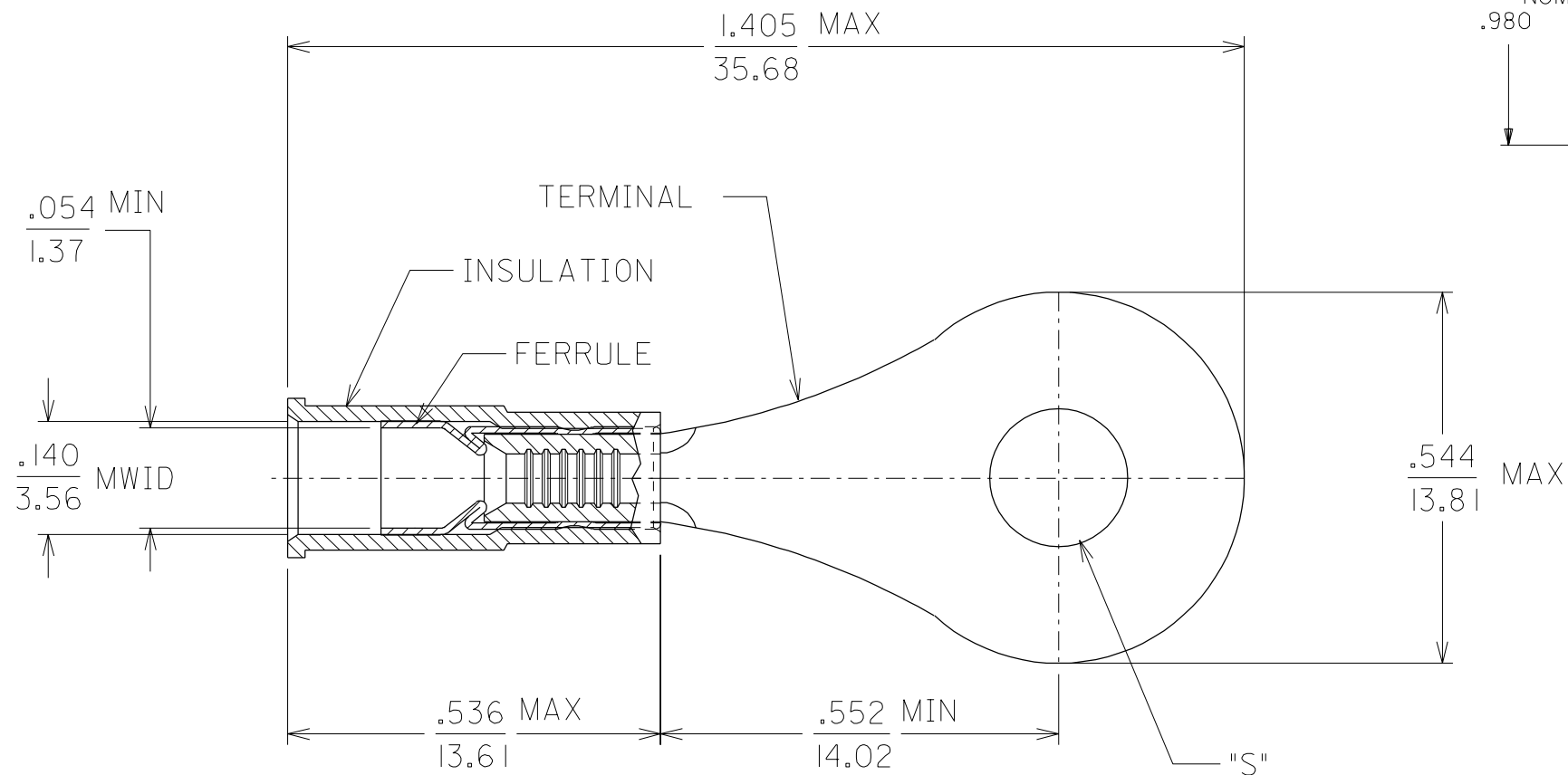
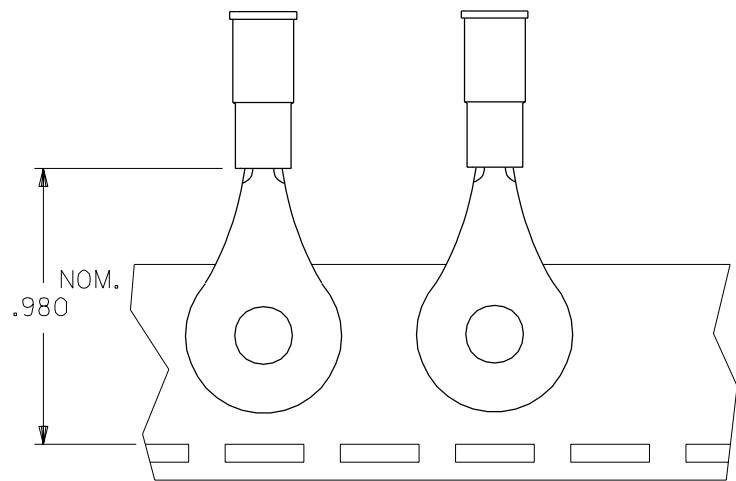


MATERIAL NUMBER	ALTERNATE NUMBER	"S"	WIRE RANGE	COLOR	PACKAGING
190570019	A-526-10	.198/5.02	22-18 AWG	RED	LOOSE PIECE
190570020	A-526-14	.265/6.73	22-18 AWG	RED	
190570024	A-526-56	.328/8.33	22-18 AWG	RED	
190570022	A-526-38	.390/9.90	22-18 AWG	RED	
190570021	A-526-14T	.265/6.73	22-18 AWG	RED	TAPE
190570023	A-526-38T	.390/9.90	22-18 AWG	RED	



A	NEW CUST. DWG. ETC2001-0288 01/03/23 EDB
LTR.	REVISIONS

CUSTOMER DRAWING

- MATERIAL: TERMINAL: COPPER
.031/.787 THICK.
FUNNEL FERRULE: BRASS
PLATING: ELECTRO TIN
INSULATION: NYLON 6/6
COLOR: SEE CHART
- MWID = MAXIMUM WIRE INSULATION DIAMETER
- ALL DIMENSIONS = INCHES / MM

DIMENSIONS SHOWN (METRIC) INCH		REVISE ONLY ON CAD SYSTEM																			
UNLESS OTHERWISE SPECIFIED TOLERANCES: ANGULAR ± 1/2°		TITLE RING TONGUE TERMINAL AVIKRIMP 500 SERIES																			
<table border="1"> <thead> <tr> <th></th> <th>INCH</th> <th>METRIC</th> </tr> </thead> <tbody> <tr> <td>3 PLACE</td> <td>± .005</td> <td>± ---</td> </tr> <tr> <td>2 PLACE</td> <td>± .01</td> <td>± 0.13</td> </tr> <tr> <td>1 PLACE</td> <td>± ---</td> <td>± 0.25</td> </tr> </tbody> </table>			INCH	METRIC	3 PLACE	± .005	± ---	2 PLACE	± .01	± 0.13	1 PLACE	± ---	± 0.25	<table border="1"> <tr> <td>molex ETC INC.</td> <td>SHEET NO.</td> <td>DATE</td> </tr> <tr> <td>PINELLAS PARK, FLA. 33781 U.S.A.</td> <td>1 OF 1</td> <td>01/03/23</td> </tr> </table>		molex ETC INC.	SHEET NO.	DATE	PINELLAS PARK, FLA. 33781 U.S.A.	1 OF 1	01/03/23
	INCH	METRIC																			
3 PLACE	± .005	± ---																			
2 PLACE	± .01	± 0.13																			
1 PLACE	± ---	± 0.25																			
molex ETC INC.	SHEET NO.	DATE																			
PINELLAS PARK, FLA. 33781 U.S.A.	1 OF 1	01/03/23																			
DRAFT WHERE APPLICABLE MUST REMAIN WITHIN DIMENSIONS		PART NO. SEE TABLE																			
<table border="1"> <tr> <td>DRWG. BY</td> <td>EDB</td> <td>CHK'D. BY</td> <td>HEB</td> </tr> <tr> <td>APP'D. BY</td> <td>RWD</td> <td>SCALE</td> <td>NO: NE</td> </tr> </table>		DRWG. BY	EDB	CHK'D. BY	HEB	APP'D. BY	RWD	SCALE	NO: NE	<table border="1"> <tr> <td>DRWG. NO.</td> <td>SD-19057-004</td> </tr> </table>		DRWG. NO.	SD-19057-004								
DRWG. BY	EDB	CHK'D. BY	HEB																		
APP'D. BY	RWD	SCALE	NO: NE																		
DRWG. NO.	SD-19057-004																				
<table border="1"> <tr> <td>FILE NAME</td> <td>SD19057004 DGN</td> <td>DIV.</td> <td>ET</td> <td>SIZE</td> <td>B</td> </tr> </table>		FILE NAME	SD19057004 DGN	DIV.	ET	SIZE	B	THIS DRAWING CONTAINS INFORMATION THAT IS PROPRIETARY TO MOLEX-ETC INC. AND SHOULD NOT BE USED WITHOUT WRITTEN PERMISSION.													
FILE NAME	SD19057004 DGN	DIV.	ET	SIZE	B																

Mouser Electronics

Authorized Distributor

Click to View Pricing, Inventory, Delivery & Lifecycle Information:

[Molex:](#)

[19057-0022](#)