



Dual Ultra-Low-Voltage SOT23 μ P Supervisors with Manual Reset and Watchdog Timer

MAX6826-MAX6831

General Description

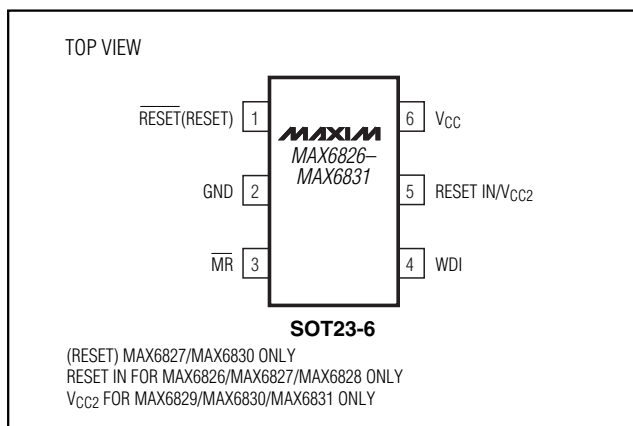
The MAX6826–MAX6831 are ultra-low-voltage micro-processor (μ P) supervisory circuits designed to monitor two power supplies and have manual reset and watchdog input functions. These devices assert a system reset if any of the monitored supplies fall below the preprogrammed thresholds, and maintain reset for a minimum timeout period after the supplies rise above the threshold. Microprocessor supervisors significantly improve system reliability and accuracy compared to separate ICs or discrete components. These devices monitor primary voltages from +1.8V to +5.0V and secondary voltages from +0.9V to +2.5V. These devices are guaranteed to be in the correct state for V_{CC} down to +1.0V.

A variety of preprogrammed reset threshold voltages are available (see *Threshold Suffix Guide*). The devices include manual reset and watchdog inputs. The MAX6829/MAX6830/MAX6831 provide a factory-trimmed threshold to monitor a 2nd voltage down to +0.9V. The MAX6826/MAX6829 have a push-pull $\overline{\text{RESET}}$, the MAX6827/MAX6830 have a push-pull $\overline{\text{RESET}}$ and the MAX6828/MAX6831 have an open-drain $\overline{\text{RESET}}$. The MAX6826/MAX6827/MAX6828 have an auxiliary monitor that allows user adjustable input to monitor voltages down to +0.6V. See *Selector Guide* for functions available.

Applications

Portable/Battery-Powered Equipment	Automotive Systems
Embedded Controllers	Critical μ P Monitoring
Intelligent Instruments	Multivoltage Systems

Pin Configuration



Typical Operating Circuit appears at end of data sheet.

Threshold Suffix Guide appears at end of data sheet.

Features

- ◆ Monitor Primary V_{CC} Supplies from +1.8V to +5.0V and Secondary V_{CC2} Supplies from +0.9V to +2.5V
- ◆ User Adjustable $\overline{\text{RESET}}$ IN Down to +0.63V (MAX6826/MAX6827/MAX6828)
- ◆ 140ms (min) Reset Timeout Delay
- ◆ 1.6s Watchdog Timeout Period
- ◆ Manual Reset Input
- ◆ Three Reset Output Options
 Push-Pull $\overline{\text{RESET}}$
 Push-Pull $\overline{\text{RESET}}$
 Open-Drain $\overline{\text{RESET}}$
- ◆ Guaranteed Reset Valid Down to $V_{CC} = +1.0V$
- ◆ Immune to Short Negative V_{CC} Transients
- ◆ No External Components
- ◆ Small 6-pin SOT23 Packages

Ordering Information

PART [†]	TEMP RANGE	PIN-PACKAGE
MAX6826_ UT-T	-40°C to +125°C	6 SOT23-6
MAX6827_ UT-T	-40°C to +125°C	6 SOT23-6
MAX6828_ UT-T	-40°C to +125°C	6 SOT23-6
MAX6829_ _UT-T	-40°C to +125°C	6 SOT23-6
MAX6830_ _UT-T	-40°C to +125°C	6 SOT23-6
MAX6831_ _UT-T	-40°C to +125°C	6 SOT23-6

[†] Insert the desired suffix letter (from Standard Versions table) into the blanks to complete the part number.

Standard Versions Table*

MAX6826/MAX6827/MAX6828
L
S
R
Z
V

*Samples are typically available for standard versions only. The MAX6826/MAX6827/MAX6828 require a 2.5k minimum order increment for all versions. Contact factory for availability.

Standard Versions Table continued at end of data sheet.

Selector Guide appears at end of data sheet.



Dual Ultra-Low-Voltage SOT23 μ P Supervisors with Manual Reset and Watchdog Timer

ABSOLUTE MAXIMUM RATINGS

V_{CC} , V_{CC2} to GND.....	-0.3V to +6.0V	Operating Temperature Range	-40°C to +125°C
Open-Drain $\overline{\text{RESET}}$	-0.3V to +6.0V	Junction Temperature	+150°C
Push-Pull $\overline{\text{RESET}}$, RESET.....	-0.3V to (V_{CC} + 0.3V)	Storage Temperature Range	-65°C to +150°C
$\overline{\text{MR}}$, WDI, RESET IN.....	-0.3V to (V_{CC} + 0.3V)	Lead Temperature (soldering, 10s)	+300°C
Input Current (V_{CC}).....	20mA		
Output Current ($\overline{\text{RESET}}$, RESET).....	20mA		
Continuous Power Dissipation (T_A = +70°C)			
6-Pin SOT23 (derate 8.7mW/°C above +70°C).....	696mW		

Stresses beyond those listed under "Absolute Maximum Ratings" may cause permanent damage to the device. These are stress ratings only, and functional operation of the device at these or any other conditions beyond those indicated in the operational sections of the specifications is not implied. Exposure to absolute maximum rating conditions for extended periods may affect device reliability.

ELECTRICAL CHARACTERISTICS

(V_{CC} = +4.5V to +5.5V for MAX68_ _L/M, V_{CC} = +2.7V to +3.6V for MAX68_ _T/S/R, V_{CC} = +2.1V to +2.75V for MAX68_ _Z/Y, V_{CC} = +1.53V to +2.0V for MAX68_ _W/V; T_A = -40°C to +125°C, unless otherwise specified. Typical values are at T_A = +25°C.) (Note 1)

PARAMETER	SYMBOL	CONDITIONS	MIN	TYP	MAX	UNITS	
Operating Voltage Range	V_{CC}	T_A = 0°C to +85°C	1.0		5.5	V	
		T_A = -40°C to +125°C	1.2		5.5		
V_{CC} Supply Current $\overline{\text{MR}}$ and WDI Unconnected	I_{CC}	V_{CC} = +5.5V, no load	T_A = -40°C to +85°C	10	20	μ A	
			T_A = -40°C to +125°C		30		
		V_{CC} = +3.6V, no load	T_A = -40°C to +85°C	7	16		
			T_A = -40°C to +125°C		25		
V_{CC2} Supply Current		$V_{CC2} \leq +2.5V$			2	μ A	
V_{CC} Reset Threshold (V_{CC} Falling)	V_{TH}	MAX68_ _L	T_A = -40°C to +85°C	4.50	4.63	4.75	V
			T_A = -40°C to +125°C	4.47	4.63	4.78	
		MAX68_ _M	T_A = -40°C to +85°C	4.25	4.38	4.50	
			T_A = -40°C to +125°C	4.22	4.38	4.53	
		MAX68_ _T	T_A = -40°C to +85°C	3.00	3.08	3.15	
			T_A = -40°C to +125°C	2.97	3.08	3.17	
		MAX68_ _S	T_A = -40°C to +85°C	2.85	2.93	3.00	
			T_A = -40°C to +125°C	2.83	2.93	3.02	
		MAX68_ _R	T_A = -40°C to +85°C	2.55	2.63	2.70	
			T_A = -40°C to +125°C	2.53	2.63	2.72	
		MAX68_ _Z	T_A = -40°C to +85°C	2.25	2.32	2.38	
			T_A = -40°C to +125°C	2.24	2.32	2.40	
		MAX68_ _Y	T_A = -40°C to +85°C	2.12	2.19	2.25	
			T_A = -40°C to +125°C	2.11	2.19	2.26	
		MAX68_ _W	T_A = -40°C to +85°C	1.62	1.67	1.71	
			T_A = -40°C to +125°C	1.61	1.67	1.72	
MAX68_ _V	T_A = -40°C to +85°C	1.52	1.58	1.62			

Dual Ultra-Low-Voltage SOT23 μ P Supervisors with Manual Reset and Watchdog Timer

MAX6826-MAX6831

ELECTRICAL CHARACTERISTICS (continued)

(V_{CC} = +4.5V to +5.5V for MAX68_L/M, V_{CC} = +2.7V to +3.6V for MAX68_T/S/R, V_{CC} = +2.1V to +2.75V for MAX68_Z/Y, V_{CC} = +1.53V to +2.0V for MAX68_W/V; T_A = -40°C to +125°C, unless otherwise specified. Typical values are at T_A = +25°C.) (Note 1)

PARAMETER	SYMBOL	CONDITIONS		MIN	TYP	MAX	UNITS
V _{CC2} Reset Threshold	V _{TH2}	Z	T _A = -40°C to +85°C	2.244	2.313	2.381	V
			T _A = -40°C to +125°C	2.238	2.313	2.388	
		Y	T _A = -40°C to +85°C	2.119	2.188	2.257	
			T _A = -40°C to +125°C	2.113	2.188	2.263	
		W	T _A = -40°C to +85°C	1.615	1.665	1.715	
			T _A = -40°C to +125°C	1.611	1.665	1.719	
		V	T _A = -40°C to +85°C	1.525	1.575	1.625	
			T _A = -40°C to +125°C	1.521	1.575	1.629	
		I	T _A = -40°C to +85°C	1.346	1.388	1.429	
			T _A = -40°C to +125°C	1.343	1.388	1.433	
		H	T _A = -40°C to +85°C	1.271	1.313	1.354	
			T _A = -40°C to +125°C	1.268	1.313	1.358	
		G	T _A = -40°C to +85°C	1.077	1.110	1.143	
			T _A = -40°C to +125°C	1.074	1.110	1.146	
		F	T _A = -40°C to +85°C	1.017	1.050	1.083	
			T _A = -40°C to +125°C	1.014	1.050	1.086	
		E	T _A = -40°C to +85°C	0.808	0.833	0.858	
			T _A = -40°C to +125°C	0.806	0.833	0.860	
D	T _A = -40°C to +85°C	0.762	0.788	0.813			
	T _A = -40°C to +125°C	0.761	0.788	0.815			
Reset Threshold Temperature Coefficient			60			ppm/°C	
Reset Threshold Hysteresis			2 × V _{TH}			mV	
RESET IN Threshold	V _{RSTINTH}	V _{RSTINTH} falling	T _A = 0°C to +85°C	0.615	0.630	0.645	V
			T _A = -40°C to +125°C	0.610		0.650	
RESET IN Hysteresis				2.5			mV
RESET IN Input Current (Note 2)	I _{RSTIN}	T _A = -40°C to +85°C		-25		+25	nA
		T _A = -40°C to +125°C		-100		+100	
V _{CC} to Reset Output Delay	t _{RD}	V _{CC} = V _{TH} to (V _{TH} - 100mV)		20			μs
RESET IN to Reset Output Delay		V _{RSTIN} = V _{RSTINTH} to (V _{RSTINTH} - 30mV)		15			μs
Reset Timeout Period	t _{RP}	T _A = -40°C to +85°C		140	200	280	ms
		T _A = -40°C to +125°C		100		320	
$\overline{\text{RESET}}$ Output LOW (Push-Pull or Open-Drain)	V _{OL}	V _{CC} ≥ 1.0V, I _{SINK} = 50μA, reset asserted, T _A = 0°C to +85°C				0.3	V
		V _{CC} ≥ 1.2V, I _{SINK} = 100μA, reset asserted				0.3	
		V _{CC} ≥ 2.55V, I _{SINK} = 1.2mA, reset asserted				0.3	
		V _{CC} ≥ 4.25V, I _{SINK} = 3.2mA, reset asserted				0.4	

Dual Ultra-Low-Voltage SOT23 μ P Supervisors with Manual Reset and Watchdog Timer

ELECTRICAL CHARACTERISTICS (continued)

($V_{CC} = +4.5V$ to $+5.5V$ for MAX68_ _L/M, $V_{CC} = +2.7V$ to $+3.6V$ for MAX68_ _T/S/R, $V_{CC} = +2.1V$ to $+2.75V$ for MAX68_ _Z/Y, $V_{CC} = +1.53V$ to $+2.0V$ for MAX68_ _W/V; $T_A = -40^\circ C$ to $+125^\circ C$, unless otherwise specified. Typical values are at $T_A = +25^\circ C$.) (Note 1)

PARAMETER	SYMBOL	CONDITIONS	MIN	TYP	MAX	UNITS
RESET Output HIGH (Push-Pull Only)	V_{OH}	$V_{CC} \geq 1.8V$, $I_{SOURCE} = 200\mu A$, reset not asserted	$0.8 \times V_{CC}$			V
		$V_{CC} \geq 3.15V$, $I_{SOURCE} = 500\mu A$, reset not asserted	$0.8 \times V_{CC}$			
		$V_{CC} \geq 4.75V$, $I_{SOURCE} = 800\mu A$, reset not asserted	$0.8 \times V_{CC}$			
Open-Drain \overline{RESET} Output Leakage Current (Note 1)	I_{LKG}	\overline{RESET} not asserted	1.0			μA
RESET Output HIGH (Push-Pull Only)	V_{OH}	$V_{CC} \geq 1.0V$, $I_{SOURCE} = 1\mu A$, reset asserted, $T_A = 0^\circ C$ to $+85^\circ C$	$0.8 \times V_{CC}$			V
		$V_{CC} \geq 1.50V$, $I_{SOURCE} = 100\mu A$, reset asserted	$0.8 \times V_{CC}$			
		$V_{CC} \geq 2.55V$, $I_{SOURCE} = 500\mu A$, reset asserted	$0.8 \times V_{CC}$			
		$V_{CC} \geq 4.25V$, $I_{SOURCE} = 800\mu A$, reset asserted	$0.8 \times V_{CC}$			
RESET Output LOW (Push-Pull Only)	V_{OH}	$V_{CC} \geq 1.8V$, $I_{SINK} = 500\mu A$, reset asserted	0.3			V
		$V_{CC} \geq 3.15V$, $I_{SINK} = 1.2mA$, reset asserted	0.3			
		$V_{CC} \geq 4.75V$, $I_{SINK} = 3.2mA$, reset asserted	0.3			
MANUAL RESET INPUT						
\overline{MR} Input voltage	V_{IL}		$0.3 \times V_{CC}$			V
	V_{IH}		$0.7 \times V_{CC}$			
\overline{MR} Minimum Input Pulse			1			μs
\overline{MR} Glitch Rejection			100			ns
\overline{MR} to Reset Delay			200			ns
\overline{MR} Pullup Resistance			25	50	75	$k\Omega$
WATCHDOG INPUT						
Watchdog Timeout Period	t_{WD}	$T_A = -40^\circ C$ to $+85^\circ C$	1.12	1.6	2.4	s
		$T_A = -40^\circ C$ to $+125^\circ C$	0.80		2.60	
WDI Pulse Width (Note 2)	t_{WDI}		50			ns
WDI Input Voltage	V_{IL}		$0.3 \times V_{CC}$			V
	V_{IH}		$0.7 \times V_{CC}$			
WDI Input Current	I_{WDI}	WDI = V_{CC} , time average	120			μA
		WDI = 0, time average	-20			

Note 1: Over-temperature limits are guaranteed by design and not production tested. Devices tested at $+25^\circ C$.

Note 2: Guaranteed by design and not production tested.

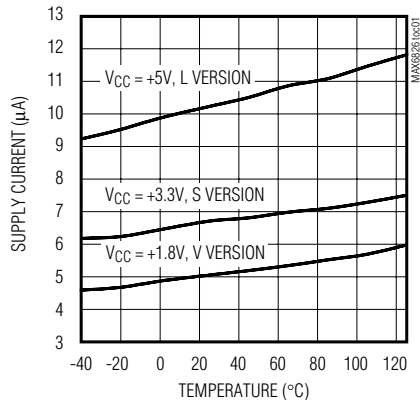
Dual Ultra-Low-Voltage SOT23 μ P Supervisors with Manual Reset and Watchdog Timer

Typical Operating Characteristics

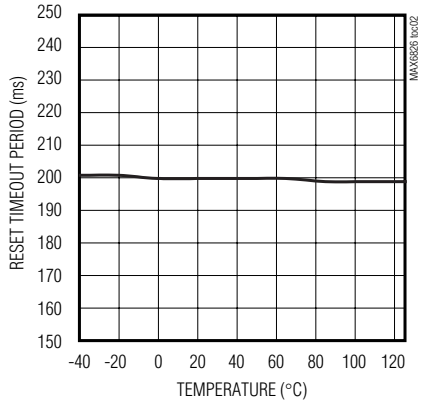
($T_A = +25^\circ\text{C}$, unless otherwise noted.)

MAX6826-MAX6831

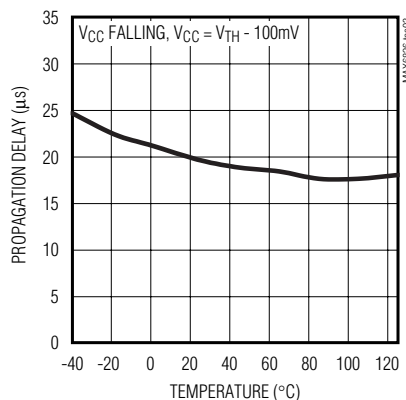
SUPPLY CURRENT vs. TEMPERATURE



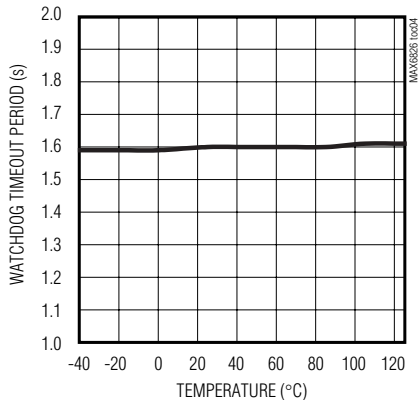
RESET TIMEOUT PERIOD vs. TEMPERATURE



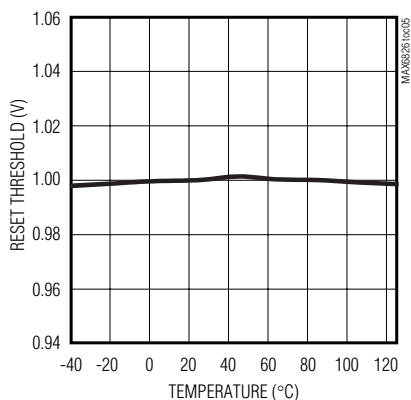
VCC TO RESET OUTPUT DELAY vs. TEMPERATURE



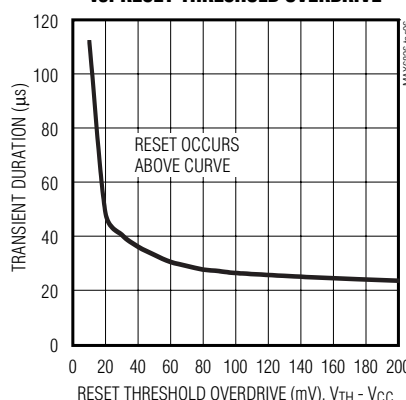
WATCHDOG TIMEOUT PERIOD vs. TEMPERATURE



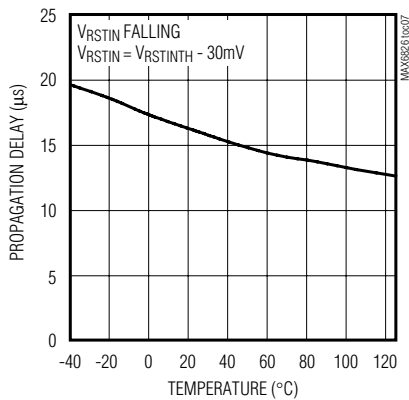
NORMALIZED RESET THRESHOLD DELAY vs. TEMPERATURE



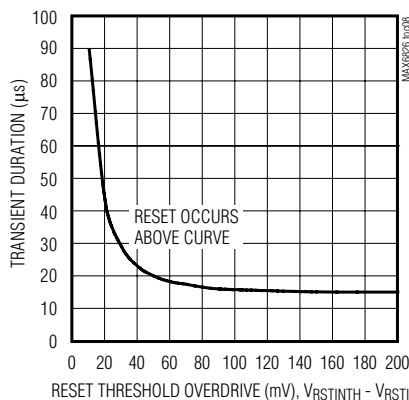
MAXIMUM VCC TRANSIENT DURATION vs. RESET THRESHOLD OVERDRIVE



VRSTIN TO RESET OUTPUT DELAY vs. TEMPERATURE



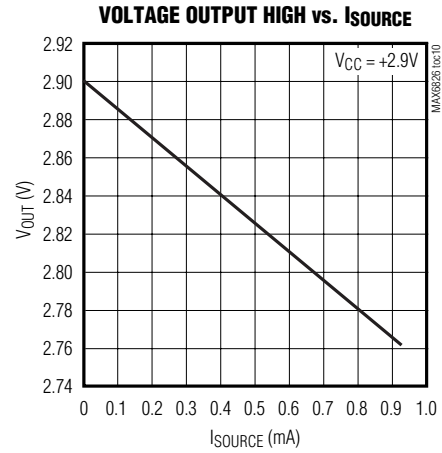
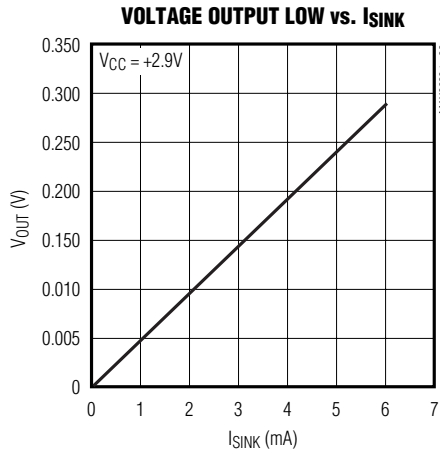
MAXIMUM VRSTIN TRANSIENT DURATION vs. RESET THRESHOLD OVERDRIVE



Dual Ultra-Low-Voltage SOT23 μ P Supervisors with Manual Reset and Watchdog Timer

Typical Operating Characteristics (continued)

($T_A = +25^\circ\text{C}$, unless otherwise noted.)



Pin Description

PIN NUMBER						PIN NAME	FUNCTION
MAX 6826	MAX 6827	MAX 6828	MAX 6829	MAX 6830	MAX 6831		
1		1	1		1	$\overline{\text{RESET}}$	Active-Low Open-Drain or Push-Pull Reset Output. $\overline{\text{RESET}}$ changes from high to low when V_{CC1} , V_{CC2} , or RESET IN input drops below the selected reset threshold, $\overline{\text{MR}}$ is pulled low, or the watchdog triggers a reset. $\overline{\text{RESET}}$ remains low for the reset timeout period after all voltages exceed the device reset threshold, $\overline{\text{MR}}$ goes low to high, or the watchdog triggers a reset.
	1			1		RESET	Active-High Push-Pull Reset Output. RESET changes from low to high when V_{CC1} , V_{CC2} , or RESET IN input drops below the selected reset threshold, $\overline{\text{MR}}$ is pulled low, or the watchdog triggers a reset. RESET remains HIGH for the reset timeout period after all voltages exceed the device reset threshold, $\overline{\text{MR}}$ goes low to high, or the watchdog triggers a reset.
2	2	2	2	2	2	GND	Ground
3	3	3	3	3	3	$\overline{\text{MR}}$	Manual Reset Input, Active-Low, Internal 50k Ω pullup to V_{CC} . Pull low to force a reset. Reset remains active as long as $\overline{\text{MR}}$ is low and for the reset timeout period after $\overline{\text{MR}}$ goes high. Leave unconnected or connect to V_{CC} , if unused.
4	4	4	4	4	4	WDI	Watchdog Input. If WDI remains high or low for longer than the watchdog timeout period, the internal watchdog timer runs out and a reset is triggered for the reset timeout period. The internal watchdog timer clears whenever reset is asserted, the manual reset is asserted, or WDI sees a rising or falling edge. If WDI is left unconnected or is connected to a three-stated buffer output, the watchdog feature is disabled.

Dual Ultra-Low-Voltage SOT23 μ P Supervisors with Manual Reset and Watchdog Timer

Pin Description (continued)

MAX6826-MAX6831

PIN NUMBER						PIN NAME	FUNCTION
MAX 6826	MAX 6827	MAX 6828	MAX 6829	MAX 6830	MAX 6831		
5	5	5				RESET IN	Input for User Adjustable RESET IN Monitor. High-impedance input for internal reset comparator. Connect this pin to an external resistor-divider network to set the reset threshold voltage. 0.63V (typ) threshold.
			5	5	5	V _{CC2}	Factory-Trimmed V _{CC2} Monitor. Connect this pin to a secondary power-supply voltage.
6	6	6	6	6	6	V _{CC}	Supply Voltage. Input for primary reset threshold monitor.

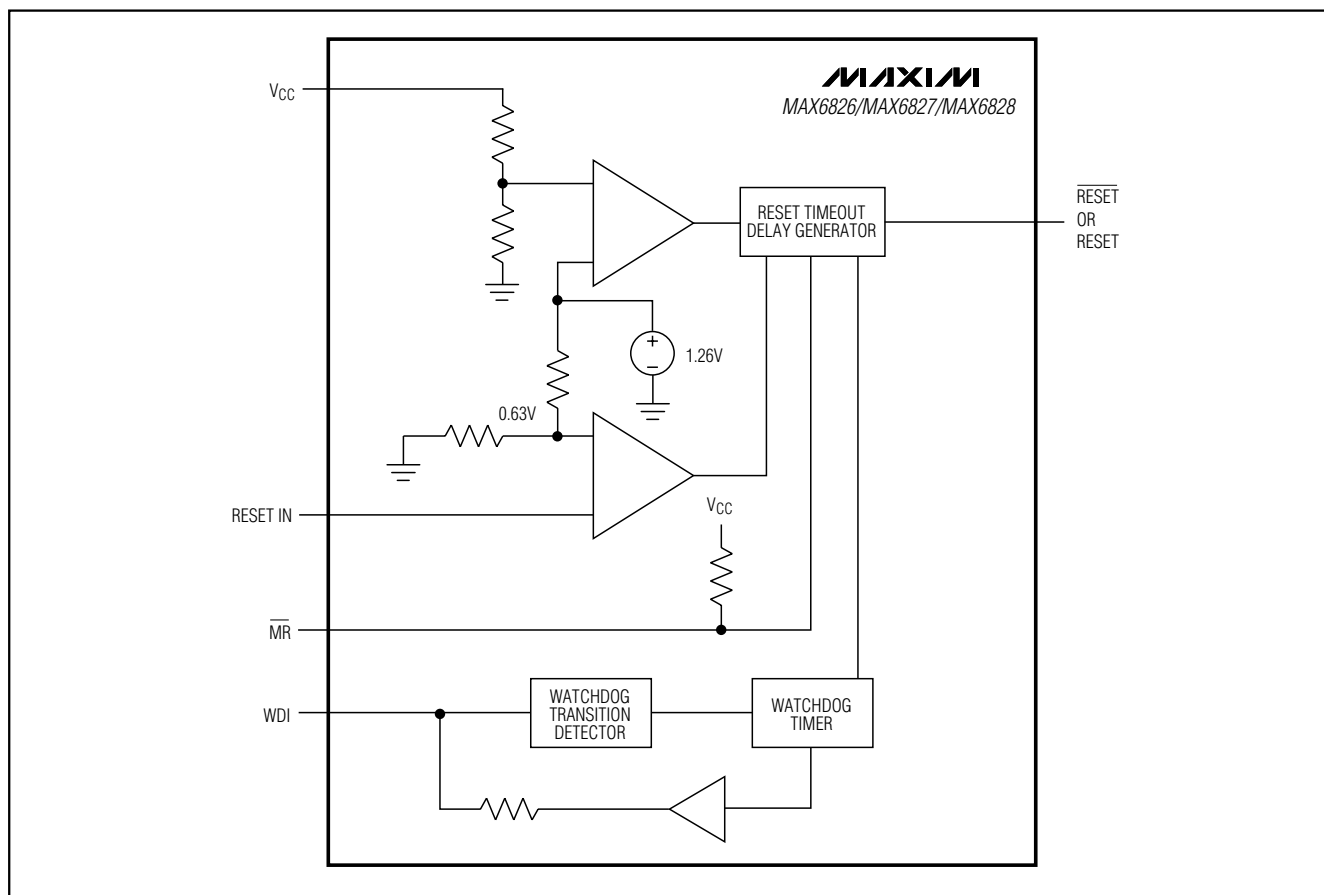


Figure 1. Functional Diagram of RESET IN

Dual Ultra-Low-Voltage SOT23 μ P Supervisors with Manual Reset and Watchdog Timer

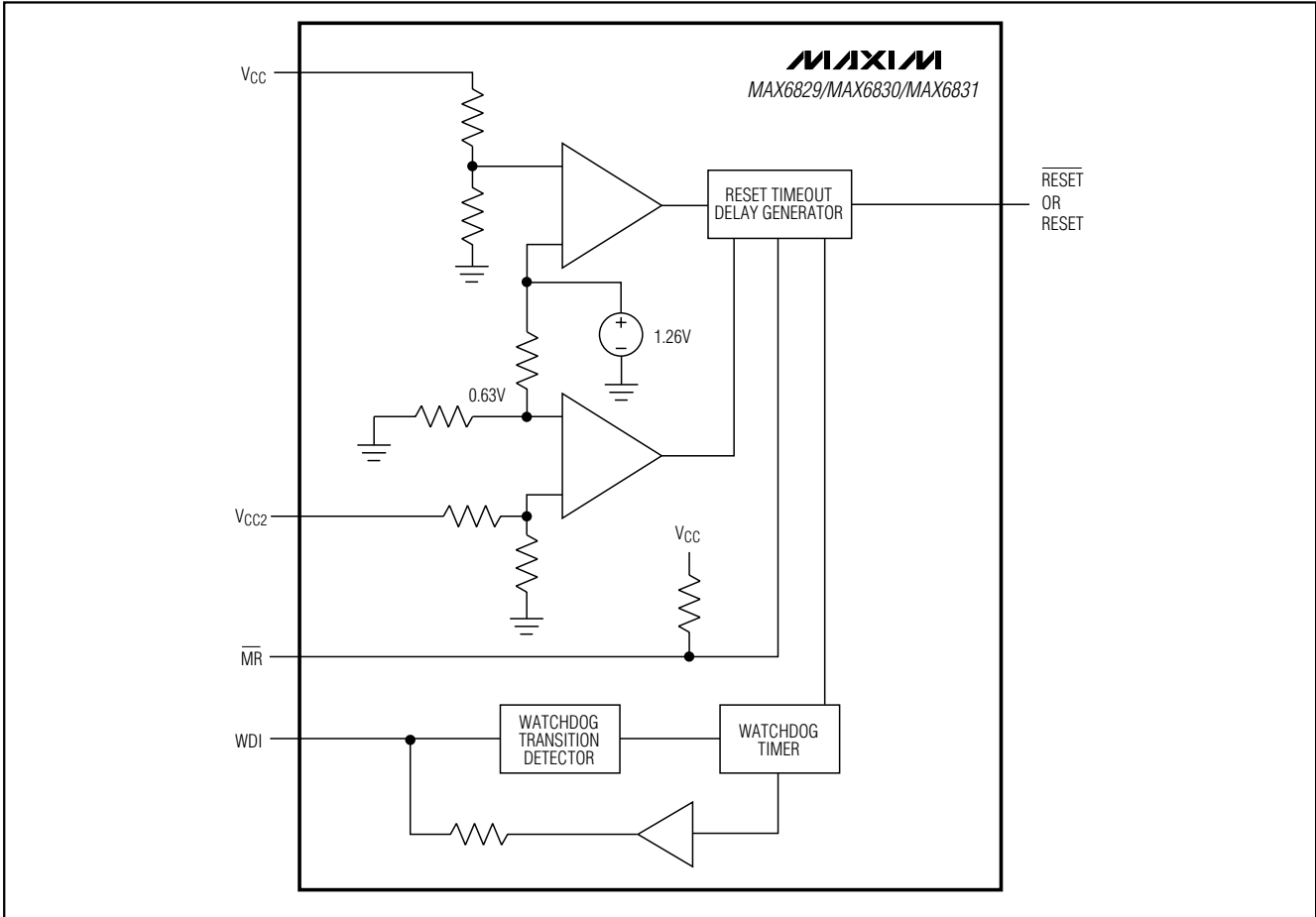


Figure 2. Functional Diagram of V_{CC2}

Detailed Description

$\overline{\text{RESET}}$ /RESET Output

A microprocessor's (μ P's) reset input starts the μ P in a known state. The MAX6826-MAX6831 μ P supervisory circuits assert a reset to prevent code-execution errors during power-up, power-down, and brownout conditions. Whenever a monitored voltage falls below the reset threshold, the reset output asserts low for $\overline{\text{RESET}}$ and high for RESET. Once all monitored voltages exceed their reset thresholds, an internal timer keeps the reset output asserted for the specified reset timeout period (t_{RP}); after this interval, reset output returns to its original state (Figure 3).

Manual Reset Input

Many μ P-based products require manual-reset capability, allowing the operator, a test technician, or external logic circuitry to initiate a reset. A logic low on $\overline{\text{MR}}$

asserts a reset. Reset remains asserted while $\overline{\text{MR}}$ is low, and for the timeout period (140ms min) after it returns high. $\overline{\text{MR}}$ has an internal 50k Ω pullup resistor, so it can be left open if not used. This input can be driven with CMOS logic levels or with open-drain/collector

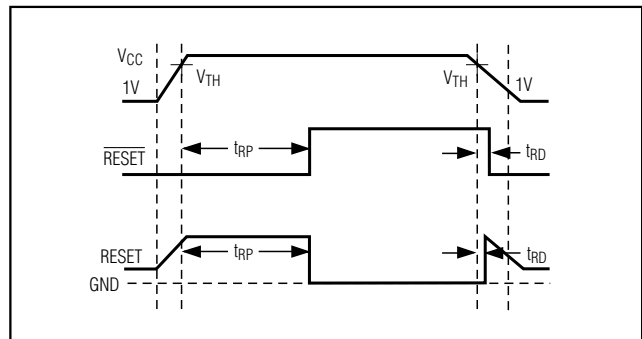


Figure 3. Reset Timing Diagram

Dual Ultra-Low-Voltage SOT23 μ P Supervisors with Manual Reset and Watchdog Timer

MAX6826-MAX6831

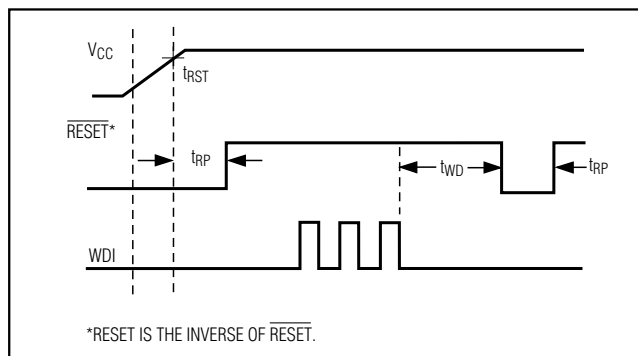


Figure 4. Watchdog Timing Relationship

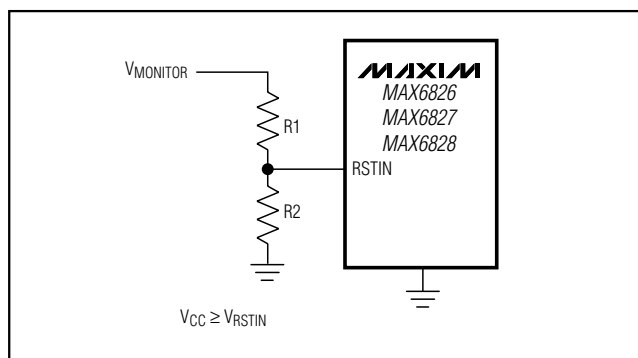


Figure 5. Monitoring a Voltage

outputs. Connect a normally open momentary switch from $\overline{\text{MR}}$ to GND to create a manual-reset function; external debounce circuitry is not required. If $\overline{\text{MR}}$ is driven from long cables or the device is used in a noisy environment, connect a 0.1 μ F capacitor from $\overline{\text{MR}}$ to GND to provide additional noise immunity.

Watchdog Input

The watchdog circuit monitors the μ P's activity. If the μ P does not toggle (low to high or high to low) the watchdog input (WDI) within the watchdog timeout period (1.6s nominal), reset asserts for the reset timeout period. The internal 1.6s timer can be cleared by either a reset pulse or by toggling WDI. The WDI can detect pulses as short as 50ns. While reset is asserted, the timer remains cleared and does not count. As soon as reset is released, the timer starts counting (Figure 4).

Disable the watchdog function by leaving WDI unconnected or by three-stating the driver connected to WDI. The watchdog input is internally driven low during the first 7/8 of the watchdog timeout period and high for the last 1/8 of the watchdog timeout period. When WDI is left unconnected, this internal driver clears the 1.6s timer every 1.4s. When WDI is three-stated or unconnected,

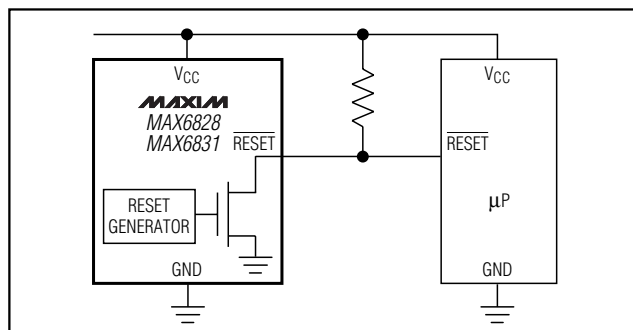


Figure 6. Interfacing Open-Drain $\overline{\text{RESET}}$ to μ Ps with Bidirectional Reset I/O

the maximum allowable leakage current is 10 μ A and the maximum allowable load capacitance is 200pF.

Adjustable Reset Thresholds

The MAX6826/MAX6827/MAX6828 provide a user adjustable input to monitor a second voltage. The threshold voltage at RSTIN is typically 0.63V. To monitor a voltage higher than 0.63V, connect a resistor-divider to the circuit as shown in Figure 5. The threshold at V_{MONITOR} is:

$$V_{\text{MONITOR_TRIP}} = 0.63V \left(\frac{R1 + R2}{R2} \right)$$

Note that RSTIN is powered by V_{CC} , and its voltage must therefore remain lower than V_{CC} .

Applications Information

Watchdog Input Current

The WDI inputs are internally driven through a buffer and series resistor from the watchdog timer (Figure 1). When WDI is left unconnected, the watchdog timer is serviced within the watchdog timeout period by a low-high-low pulse from the counter chain. For minimum watchdog input current (minimum overall power consumption), leave WDI low for the majority of the watchdog timeout period, pulsing it low-high-low once within the first 7/8 of the watchdog timeout period to reset the watchdog timer. If WDI is externally driven high for the majority of the timeout period, up to 160 μ A can flow into WDI.

Interfacing to μ Ps with Bidirectional Reset Pins

Since the $\overline{\text{RESET}}$ output on the MAX6828/MAX6831 is open drain, these devices interface easily with μ Ps that have bidirectional reset pins, such as the Motorola 68HC11. Connecting the μ P supervisor's $\overline{\text{RESET}}$ output

Dual Ultra-Low-Voltage SOT23 μP Supervisors with Manual Reset and Watchdog Timer

directly to the microcontroller's $\overline{\text{RESET}}$ pin with a single pullup resistor allows the device to assert a reset (Figure 6).

Negative-Going V_{CC} Transients

These supervisors are relatively immune to short-duration, negative-going V_{CC} transients (glitches), which usually do not require the entire system to shut down. Resets are issued to the μP during power-up, power-down, and brownout conditions. The *Typical Operating Characteristics* show a graph of the Maximum V_{CC} Transient Duration vs. Reset Threshold Overdrive, for which reset pulses are **not** generated. The graph was produced using negative-going V_{CC} pulses, starting at the standard monitored voltage and ending below the reset threshold by the magnitude indicated (reset threshold overdrive). The graph shows the maximum pulse width that a negative-going V_{CC} transient can typically have without triggering a reset pulse. As the amplitude of the transient increases (i.e., goes farther below the reset threshold), the maximum allowable pulse width decreases. Typically, a V_{CC} transient that goes 100mV below the reset threshold and lasts for 20 μs or less will not trigger a reset pulse.

Ensuring a Valid $\overline{\text{RESET}}$ Output Down to $V_{CC} = 0$

The MAX6826-MAX6831 are guaranteed to operate properly down to $V_{CC} = 1\text{V}$. In applications that require valid reset levels down to $V_{CC} = 0$, a pull-down resistor to active-low outputs (push/pull only, Figure 7) and a pullup resistor to active-high outputs (push/pull only) will ensure that the reset line is valid while the reset output can no longer sink or source current. This scheme does not work with the open-drain outputs of the MAX6828/MAX6831. The resistor value used is not critical, but it must be small enough not to load the reset output when V_{CC} is above the reset threshold. For falling slew rates greater than 1V/s, a 100k Ω is adequate.

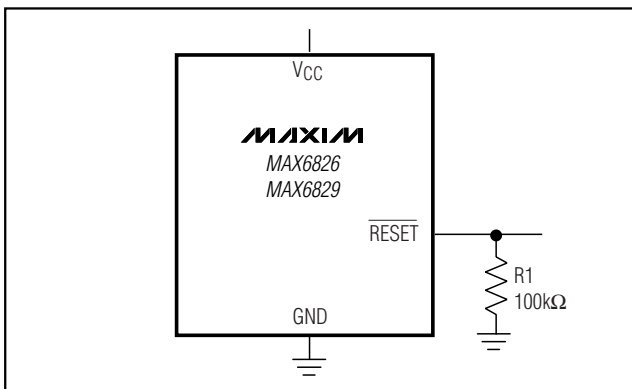


Figure 7. $\overline{\text{RESET}}$ Valid to $V_{CC} = \text{Ground}$ Circuit

Watchdog Software Considerations

One way to help the watchdog timer monitor software execution more closely is to set and reset the watchdog input at different points in the program, rather than pulsing the watchdog input high-low-high or low-high-low. This technique avoids a stuck loop, in which the watchdog timer would continue to be reset inside the loop, keeping the watchdog from timing out.

Figure 8 shows an example of a flow diagram where the I/O driving the watchdog input is set high at the beginning of the program, set low at the beginning of every subroutine or loop, then set high again when the program returns to the beginning. If the program should hang in any subroutine, the problem would quickly be corrected, since the I/O is continually set low and the watchdog timer is allowed to time out, causing a reset or interrupt to be issued. As described in the *Watchdog Input Current* section, this scheme results in higher time average WDI input current than does leaving WDI low for the majority of the timeout period and periodically pulsing it low-high-low.

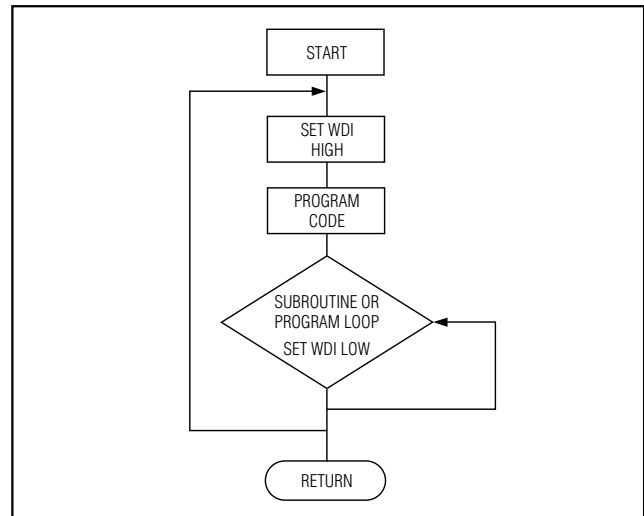


Figure 8. Watchdog Flow Diagram

Dual Ultra-Low-Voltage SOT23 μ P Supervisors with Manual Reset and Watchdog Timer

MAX6826-MAX6831

Threshold Suffix Guide

V _{CC} THRESHOLD	RESET THRESHOLD (V)	V _{CC2} THRESHOLD	RESET THRESHOLD (V)
L	4.63	Z	2.313
M	4.38	Y	2.188
T	3.08	W	1.665
S	2.93	V	1.575
R	2.63	I	1.388
Z	2.32	H	1.313
Y	2.19	G	1.110
W	1.67	F	1.050
V	1.58	E	0.833
		D	0.788

Selector Guide

FUNCTION	ACTIVE-LOW RESET	ACTIVE-HIGH RESET	OPEN-DRAIN RESET	WATCHDOG INPUT	MANUAL RESET INPUT	FIXED V _{CC2} MONITOR	ADJUSTABLE RESET INPUT
MAX6826	✓	—	—	✓	✓	—	✓
MAX6827	—	✓	—	✓	✓	—	✓
MAX6828	—	—	✓	✓	✓	—	✓
MAX6829	✓	—	—	✓	✓	✓	—
MAX6830	—	✓	—	✓	✓	✓	—
MAX6831	—	—	✓	✓	✓	✓	—

Standard Versions Table* (continued)

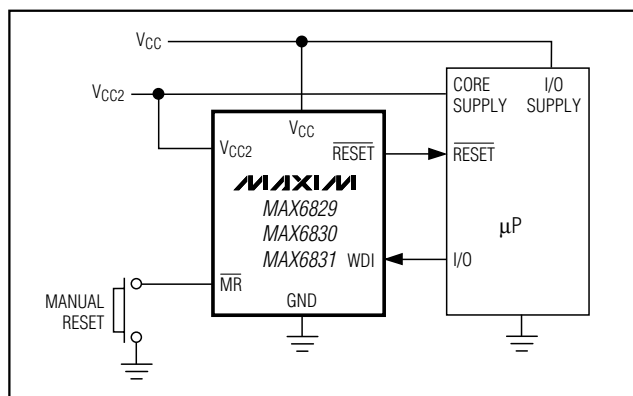
MAX6829/MAX6830/MAX6831			
V _{CC}			V _{CC2}
3.3V	2.5V	1.8V	—
TZ	—	—	2.5V
SV	ZW	—	1.8V
SH	YH	WI	1.5V
SF	YG	VF	1.2V
SD	YD	VD	0.9V

*Samples are typically available for standard versions only. For the MAX6829/MAX6830/MAX6831, standard versions require a 2.5k minimum order increment, while nonstandard versions require a 10k minimum order increment and are not typically available in samples. Contact factory for availability.

Chip Information

TRANSISTOR COUNT: 750
PROCESS TECHNOLOGY: BiCMOS

Typical Operating Circuit



Dual Ultra-Low-Voltage SOT23 μ P Supervisors with Manual Reset and Watchdog Timer

Package Information

SEE NOTE 5
EXAMPLE
TOP MARK

PIN 1
I.D. DOT
(SEE NOTE 6)

PIN #1

0.20

DATUM "A"

SYMBOL	MIN	MAX
A	0.90	1.45
A1	0.00	0.15
A2	0.90	1.30
b	0.35	0.50
C	0.08	0.20
D	2.80	3.00
E	2.60	3.00
E1	1.50	1.75
L	0.35	0.55
e	0.95 REF	
a	0°	10°

NOTES:

- ALL DIMENSIONS ARE IN MILLIMETERS.
- △ FOOT LENGTH MEASURED AT INTERCEPT POINT BETWEEN DATUM A & LEAD SURFACE.
- PACKAGE OUTLINE EXCLUSIVE OF MOLD FLASH & METAL BURR.
- PACKAGE OUTLINE INCLUSIVE OF SOLDER PLATING.
- PIN 1 IS LOWER LEFT PIN WHEN READING TOP MARK FROM LEFT TO RIGHT. (SEE EXAMPLE TOP MARK)
- PIN 1 I.D. DOT IS 0.3 MM ϕ MIN. LOCATED ABOVE PIN 1.
- MEETS JEDEC MO178.

6LSOT23P

MAXIM			
PROPRIETARY INFORMATION			
TITLE:			
PACKAGE OUTLINE, SOT-23, 6L			
APPROVAL	DOCUMENT CONTROL NO.	REV	1/1
	21-0058	E	

Maxim cannot assume responsibility for use of any circuitry other than circuitry entirely embodied in a Maxim product. No circuit patent licenses are implied. Maxim reserves the right to change the circuitry and specifications without notice at any time.

12 _____ **Maxim Integrated Products, 120 San Gabriel Drive, Sunnyvale, CA 94086 408-737-7600**