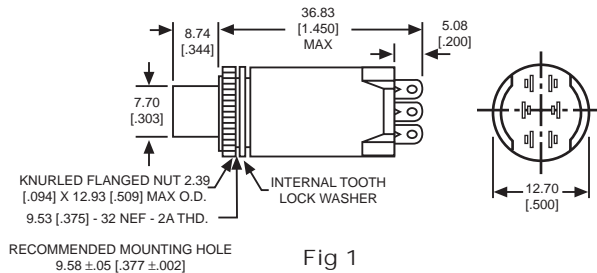


**ILLUMINATED PUSHBUTTON SWITCHES & MATCHING PANEL MOUNT INDICATORS**

**913 SERIES LED SWITCH**

MOMENTARY ACTION 0.1 AMP AT 125 VAC OR 30 VDC

| PART NO.          | COLOR  | CONTACT CIRCUIT | FIG |
|-------------------|--------|-----------------|-----|
| 913-1551-1631-525 | RED    | N.O.            | 1   |
| 913-1553-1631-525 | RED    | TWO CIRCUIT     | 1   |
| 913-1601-1632-525 | GREEN  | N.O.            | 1   |
| 913-1603-1632-525 | GREEN  | TWO CIRCUIT     | 1   |
| 913-1604-1633-525 | YELLOW | N.O.            | 1   |
| 913-1606-1633-525 | YELLOW | TWO CIRCUIT     | 1   |

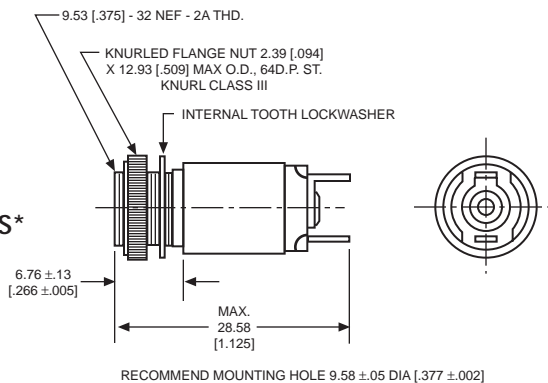


Material & Finish: Base, Black Anodized Aluminum. Cap, High Impact Plastic

Dimensions in mm [inches]

**911 SERIES INDICATOR**

| PART NO.     | CAP | FIG |
|--------------|-----|-----|
| 911-1112-525 | 2   |     |



Uses:  
T-1 3/4 MIDGET  
FLANGE BASE  
INCANDESCENT  
LAMP OR BASED  
LED LAMP

**911 SERIES CAPS**

CYLINDRICAL LENS WITH FRESNEL RINGS\*

| CAP PART NO. | COLOR  | FIG |
|--------------|--------|-----|
| 911-1631     | RED    | 3   |
| 911-1632     | GREEN  | 3   |
| 911-1633     | YELLOW | 3   |
| 911-1634     | BLUE   | 3   |
| 911-1635     | WHITE  | 3   |

\*Not recommended for use with legends

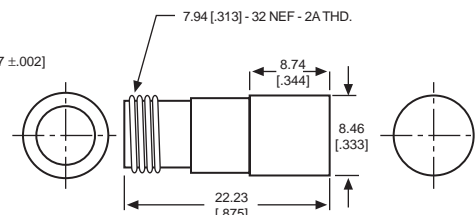
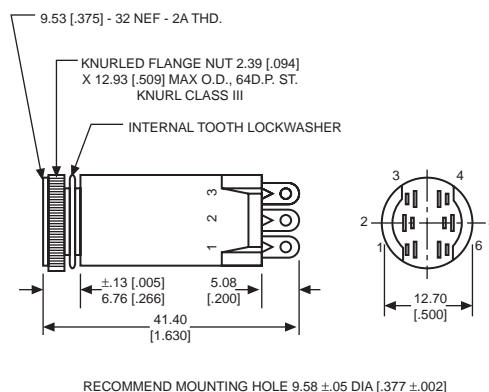


Fig. 2

Fig. 3

**922 SERIES MOMENTARY SWITCH**

| PART NO.     | SWITCH FORMS  | FIG |
|--------------|---------------|-----|
| 922-1524-525 | Normally Open | 4   |
| 922-1526-525 | Two Circuit   | 4   |



Uses:  
T-1 3/4 MIDGET  
FLANGE BASE  
INCANDESCENT  
LAMP OR BASED  
LED LAMP

Fig. 4

**908 SERIES CAPS**

CYLINDRICAL LENS WITH FRESNEL RINGS\*

| CAP PART NO. | COLOR  | FIG |
|--------------|--------|-----|
| 908-1631     | RED    | 5   |
| 908-1632     | GREEN  | 5   |
| 908-1633     | YELLOW | 5   |
| 908-1634     | BLUE   | 5   |
| 908-1635     | WHITE  | 5   |

\*Not recommended for use with legends

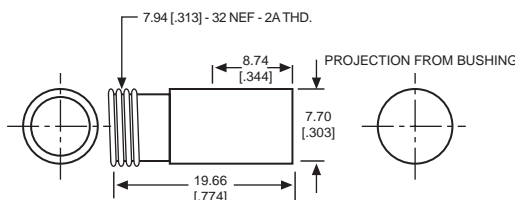


Fig. 5

Neon and incandescent lamp information on Pages 35 and 36.

Based LED lamp information on Pages 37 through 40.

Dimensions in mm [inches]

