

LM320L/LM79LXXAC Series 3-Terminal Negative Regulators

General Description

The LM320L/LM79LXXAC dual marked series of 3-terminal negative voltage regulators features fixed output voltages of $-5V$, $-12V$, and $-15V$ with output current capabilities in excess of 100mA. These devices were designed using the latest computer techniques for optimizing the packaged IC thermal/electrical performance. The LM79LXXAC series, even when combined with a minimum output compensation capacitor of $0.1\mu F$, exhibits an excellent transient response, a maximum line regulation of $0.07\% V_O/V$, and a maximum load regulation of $0.01\% V_O/mA$.

The LM320L/LM79LXXAC series also includes, as self-protection circuitry: safe operating area circuitry for output transistor power dissipation limiting, a temperature independent short circuit current limit for peak output current limiting, and a thermal shutdown circuit to prevent excessive junction temperature. Although designed primarily as fixed voltage regulators, these devices may be combined with simple external circuitry for boosted and/or adjustable volt-

ages and currents. The LM79LXXAC series is available in the 3-lead TO-92 package, and SO-8; 8 lead package. The LM320L series is available in the 3-lead TO-92 package.

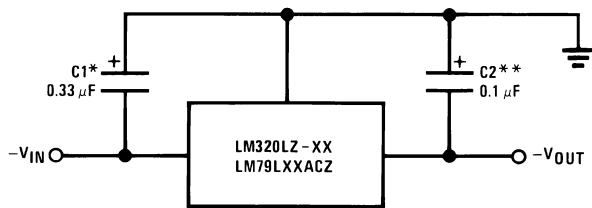
For output voltage other than $-5V$, $-12V$ and $-15V$, the LM137L series provides an output voltage range from 1.2V to 47V.

Features

- Preset output voltage error is less than $\pm 5\%$ overload, line and temperature
- Specified at an output current of 100mA
- Easily compensated with a small $0.1\mu F$ output capacitor
- Internal short-circuit, thermal and safe operating area protection
- Easily adjustable to higher output voltages
- Maximum line regulation less than $0.07\% V_{OUT}/V$
- Maximum load regulation less than $0.01\% V_{OUT}/mA$

Typical Applications

Fixed Output Regulator

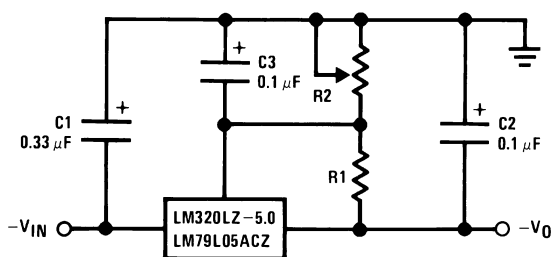


DS007748-1

*Required if the regulator is located far from the power supply filter. A $1\mu F$ aluminum electrolytic may be substituted.

**Required for stability. A $1\mu F$ aluminum electrolytic may be substituted.

Adjustable Output Regulator



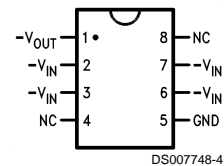
DS007748-3

$$-V_0 = -5V - (5V/R1 + I_Q) \cdot R2,$$

$$5V/R1 > 3 I_Q$$

Connection Diagrams

SO-8 Plastic (Narrow Body)

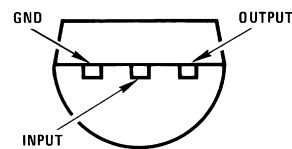


DS007748-4

Top View

Order Number LM79L05ACM, LM79L12ACM
LM79L15ACM, LM79L05ACMX,
LM79L12ACMX or LM79L15ACMX
See NS Package Number M08A

TO-92 Plastic Package (Z)



DS007748-2

Bottom View

Order Number LM320LZ-5.0, LM79L05ACZ,
LM320LZ-12, LM79L12ACZ, LM320LZ-15 or
LM79L15ACZ
See NS Package Number Z03A

Absolute Maximum Ratings (Note 1)

If Military/Aerospace specified devices are required, please contact the National Semiconductor Sales Office/ Distributors for availability and specifications.

Input Voltage

$V_O = -5V, -12V, -15V$

$-35V$

Internal Power Dissipation (Note 2)

Operating Temperature Range

Maximum Junction Temperature

Storage Temperature Range

Lead Temperature

(Soldering, 10 sec.)

Internally Limited

 0°C to $+70^{\circ}\text{C}$ $+125^{\circ}\text{C}$ -55°C to $+150^{\circ}\text{C}$ 260°C **Electrical Characteristics** (Note 3) $T_A = 0^{\circ}\text{C}$ to $+70^{\circ}\text{C}$ unless otherwise noted.

Output Voltage			-5V			-12V			-15V			Units		
Input Voltage (unless otherwise noted)			-10V			-17V			-20V					
Symbol	Parameter	Conditions	Min	Typ	Max	Min	Typ	Max	Min	Typ	Max			
V_O	Output Voltage	$T_J = 25^{\circ}\text{C}, I_O = 100\text{mA}$	-5.2	-5	-4.8	-12.5	-12	-11.5	-15.6	-15	-14.4	V		
		$1\text{mA} \leq I_O \leq 100\text{mA}$	-5.25		-4.75	-12.6		-11.4	-15.75		-14.25			
		$V_{\text{MIN}} \leq V_{\text{IN}} \leq V_{\text{MAX}}$	$(-20 \leq V_{\text{IN}} \leq -7.5)$			$(-27 \leq V_{\text{IN}} \leq -14.8)$			$(-30 \leq V_{\text{IN}} \leq -18)$					
		$1\text{mA} \leq I_O \leq 40\text{mA}$	-5.25		-4.75	-12.6		-11.4	-15.75		-14.25			
		$V_{\text{MIN}} \leq V_{\text{IN}} \leq V_{\text{MAX}}$	$(-20 \leq V_{\text{IN}} \leq -7)$			$(-27 \leq V_{\text{IN}} \leq -14.5)$			$(-30 \leq V_{\text{IN}} \leq -17.5)$					
ΔV_O	Line Regulation	$T_J = 25^{\circ}\text{C}, I_O = 100\text{mA}$			60			45			45	mV		
		$V_{\text{MIN}} \leq V_{\text{IN}} \leq V_{\text{MAX}}$	$(-20 \leq V_{\text{IN}} \leq -7.3)$			$(-27 \leq V_{\text{IN}} \leq -14.6)$			$(-30 \leq V_{\text{IN}} \leq -17.7)$			V		
		$T_J = 25^{\circ}\text{C}, I_O = 40\text{mA}$			60			45			45	mV		
		$V_{\text{MIN}} \leq V_{\text{IN}} \leq V_{\text{MAX}}$	$(-20 \leq V_{\text{IN}} \leq -7)$			$(-27 \leq V_{\text{IN}} \leq -14.5)$			$(-30 \leq V_{\text{IN}} \leq -17.5)$			V		
ΔV_O	Load Regulation	$T_J = 25^{\circ}\text{C}$			50			100			125	mV		
		$1\text{mA} \leq I_O \leq 100\text{mA}$												
ΔV_O	Long Term Stability	$I_O = 100\text{mA}$		20			48			60		mV/khrs		
I_Q	Quiescent Current	$I_O = 100\text{mA}$		2	6			2	6			2	6	mA
ΔI_Q	Quiescent Current Change	$1\text{mA} \leq I_O \leq 100\text{mA}$			0.3			0.3			0.3			
		$1\text{mA} \leq I_O \leq 40\text{mA}$			0.1			0.1			0.1		mA	
		$I_O = 100\text{mA}$			0.25			0.25			0.25		mA	
		$V_{\text{MIN}} \leq V_{\text{IN}} \leq V_{\text{MAX}}$	$(-20 \leq V_{\text{IN}} \leq -7.5)$			$(-27 \leq V_{\text{IN}} \leq -14.8)$			$(-30 \leq V_{\text{IN}} \leq -18)$				V	
V_n	Output Noise Voltage	$T_J = 25^{\circ}\text{C}, I_O = 100\text{mA}$ $f = 10\text{Hz} - 10\text{kHz}$		40			96			120		μV		
$\frac{\Delta V_{\text{IN}}}{\Delta V_O}$	Ripple Rejection	$T_J = 25^{\circ}\text{C}, I_O = 100\text{mA}$ $f = 120\text{Hz}$		50			52			50		dB		
	Input Voltage Required to Maintain Line Regulation	$T_J = 25^{\circ}\text{C}, I_O = 100\text{mA}$			-7.3			-14.6			-17.7	V		
		$I_O = 40\text{mA}$			-7.0			-14.5			-17.5	V		

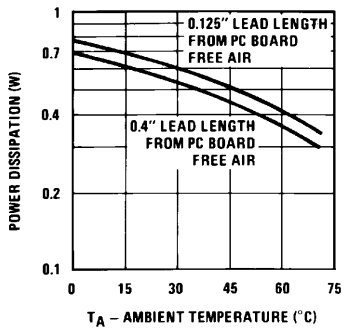
Note 1: Absolute Maximum Ratings indicate limits beyond which damage to the device may occur. Operating Ratings indicate conditions for which the device is functional, but do not guarantee specific performance limits.

Note 2: Thermal resistance of Z package is $60^{\circ}\text{C}/\text{W}$ θ_{JC} , $232^{\circ}\text{C}/\text{W}$ θ_{JA} at still air, and $88^{\circ}\text{C}/\text{W}$ at 400 ft/min of air. The M package θ_{JA} is $180^{\circ}\text{C}/\text{W}$ in still air. The maximum junction temperature shall not exceed 125°C on electrical parameters.

Note 3: To ensure constant junction temperature, low duty cycle pulse testing is used.

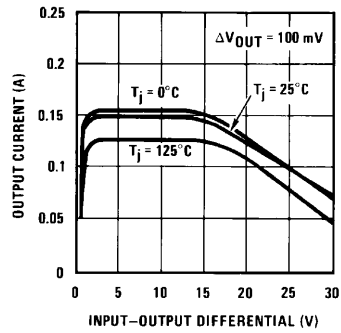
Typical Performance Characteristics

Maximum Average Power Dissipation (TO-92)



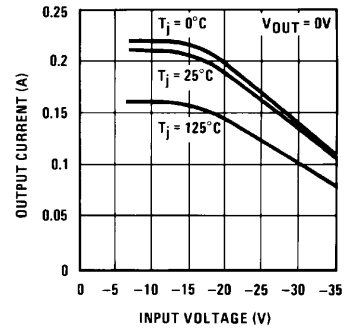
DS007748-11

Peak Output Current



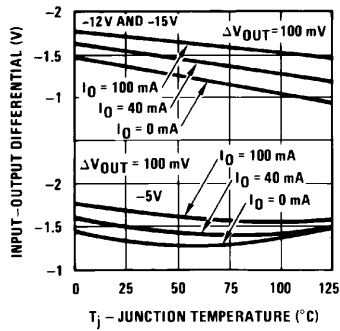
DS007748-12

Short Circuit Output Current



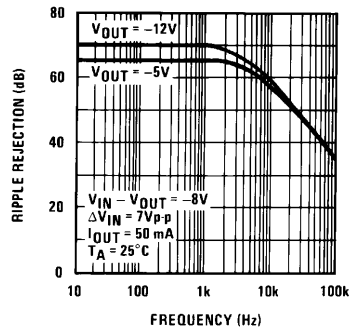
DS007748-13

Dropout Voltage



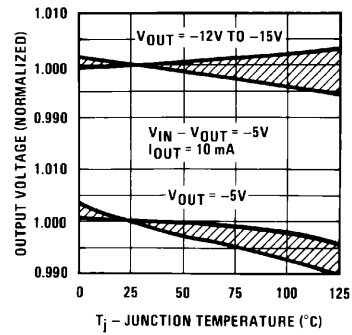
DS007748-14

Ripple Rejection



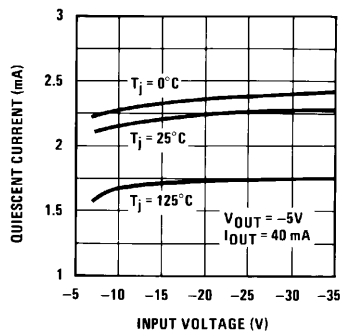
DS007748-15

Output Voltage vs. Temperature (Normalized to 1V @ 25°C)



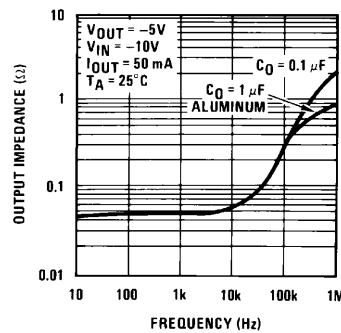
DS007748-16

Quiescent Current



DS007748-17

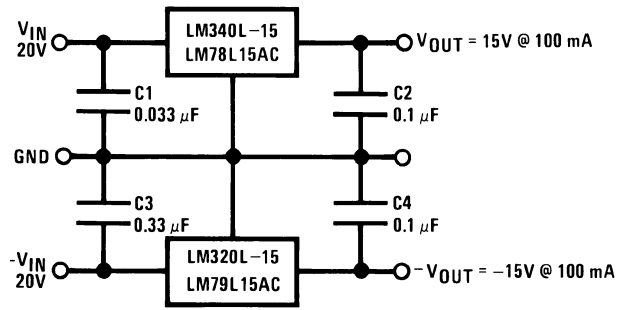
Output Impedance



DS007748-18

Typical Applications

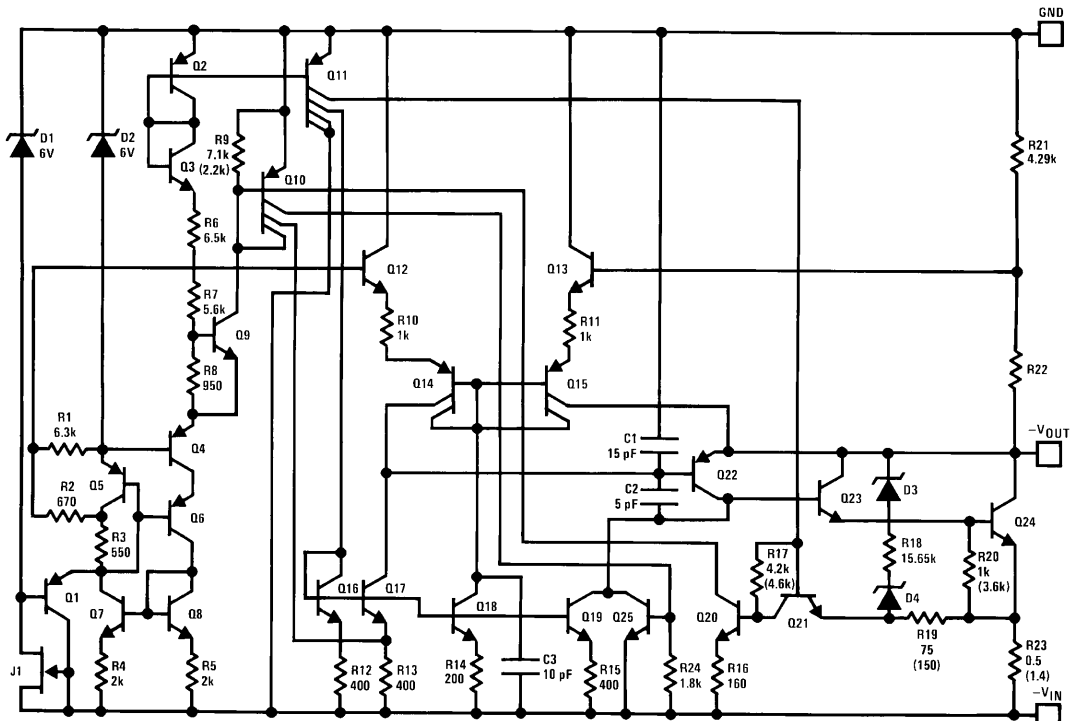
±15V, 100mA Dual Power Supply



DS007748-6

Schematic Diagrams

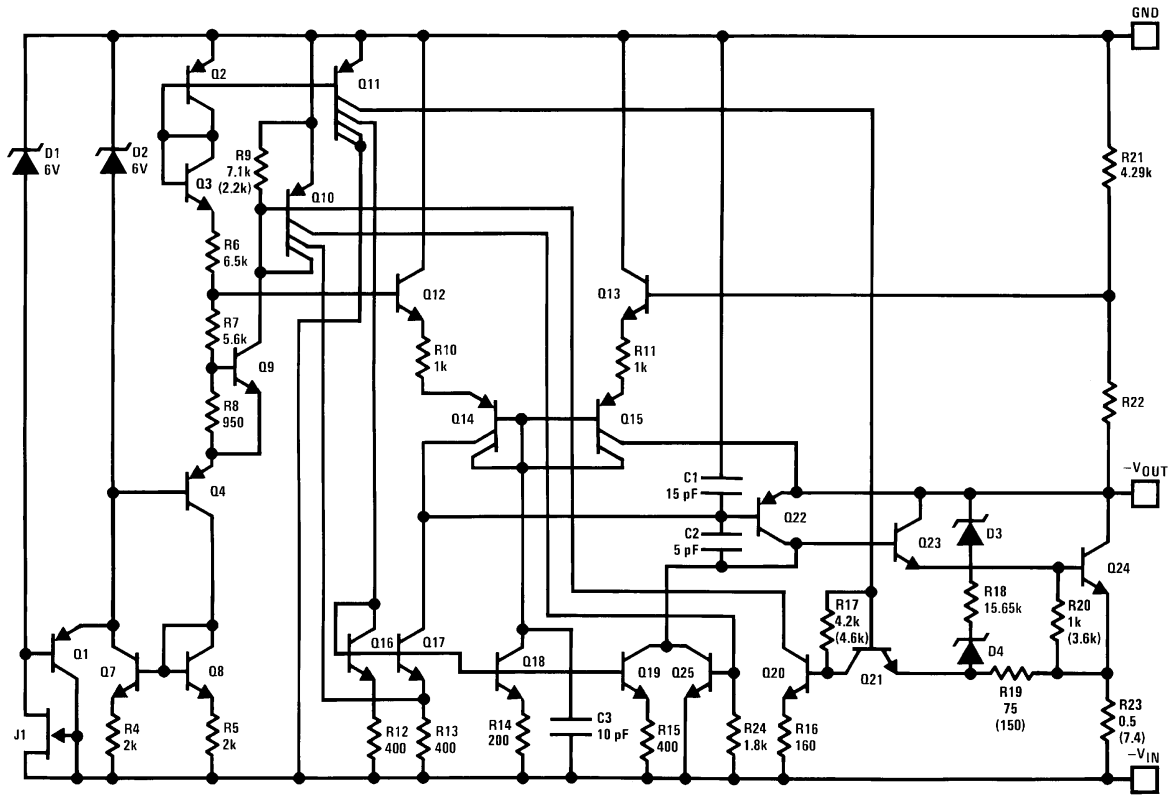
-5V



DS007748-9

Schematic Diagrams (Continued)

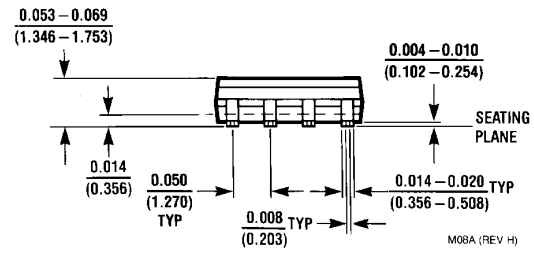
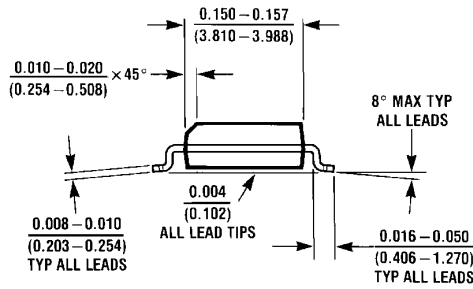
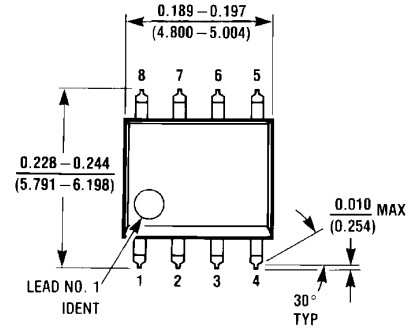
-12V and -15V



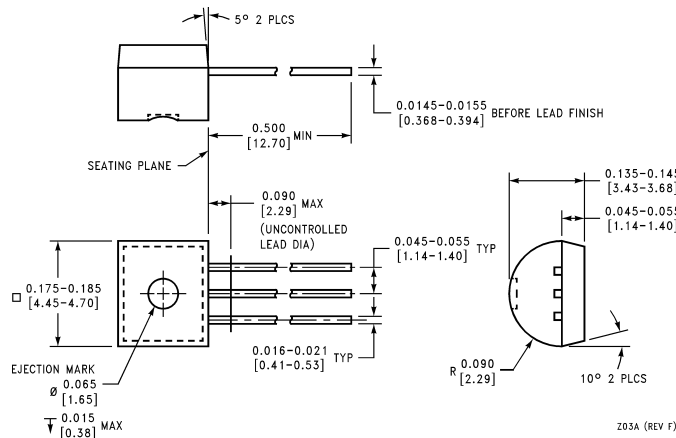
DS007748-10

LM320L/LM79LXXAC

Physical Dimensions inches (millimeters) unless otherwise noted



S.O. Package (M)
Order Number LM79L05ACM, LM79L12ACM, LM79L15ACM,
LM79L05ACMX, LM79L12ACMX, or LM79L15ACMX
NS Package Number M08A



Molded Offset TO-92 (Z)
Order Number LM320LZ-5.0, LM79L05ACZ, LM320LZ-12,
LM79L12ACZ, LM320LZ-15 or LM79L15ACZ
NS Package Number Z03A

Notes

LIFE SUPPORT POLICY

NATIONAL'S PRODUCTS ARE NOT AUTHORIZED FOR USE AS CRITICAL COMPONENTS IN LIFE SUPPORT DEVICES OR SYSTEMS WITHOUT THE EXPRESS WRITTEN APPROVAL OF THE PRESIDENT AND GENERAL COUNSEL OF NATIONAL SEMICONDUCTOR CORPORATION. As used herein:

1. Life support devices or systems are devices or systems which, (a) are intended for surgical implant into the body, or (b) support or sustain life, and whose failure to perform when properly used in accordance with instructions for use provided in the labeling, can be reasonably expected to result in a significant injury to the user.
2. A critical component is any component of a life support device or system whose failure to perform can be reasonably expected to cause the failure of the life support device or system, or to affect its safety or effectiveness.



National Semiconductor Corporation
Americas
Email: support@nsc.com

www.national.com

National Semiconductor Europe

Fax: +49 (0) 180-530 85 86
Email: europe.support@nsc.com
Deutsch Tel: +49 (0) 69 9508 6208
English Tel: +44 (0) 870 24 0 2171
Français Tel: +33 (0) 1 41 91 8790

National Semiconductor Asia Pacific Customer Response Group

Tel: 65-2544466
Fax: 65-2504466
Email: ap.support@nsc.com

National Semiconductor Japan Ltd.

Tel: 81-3-5639-7560
Fax: 81-3-5639-7507