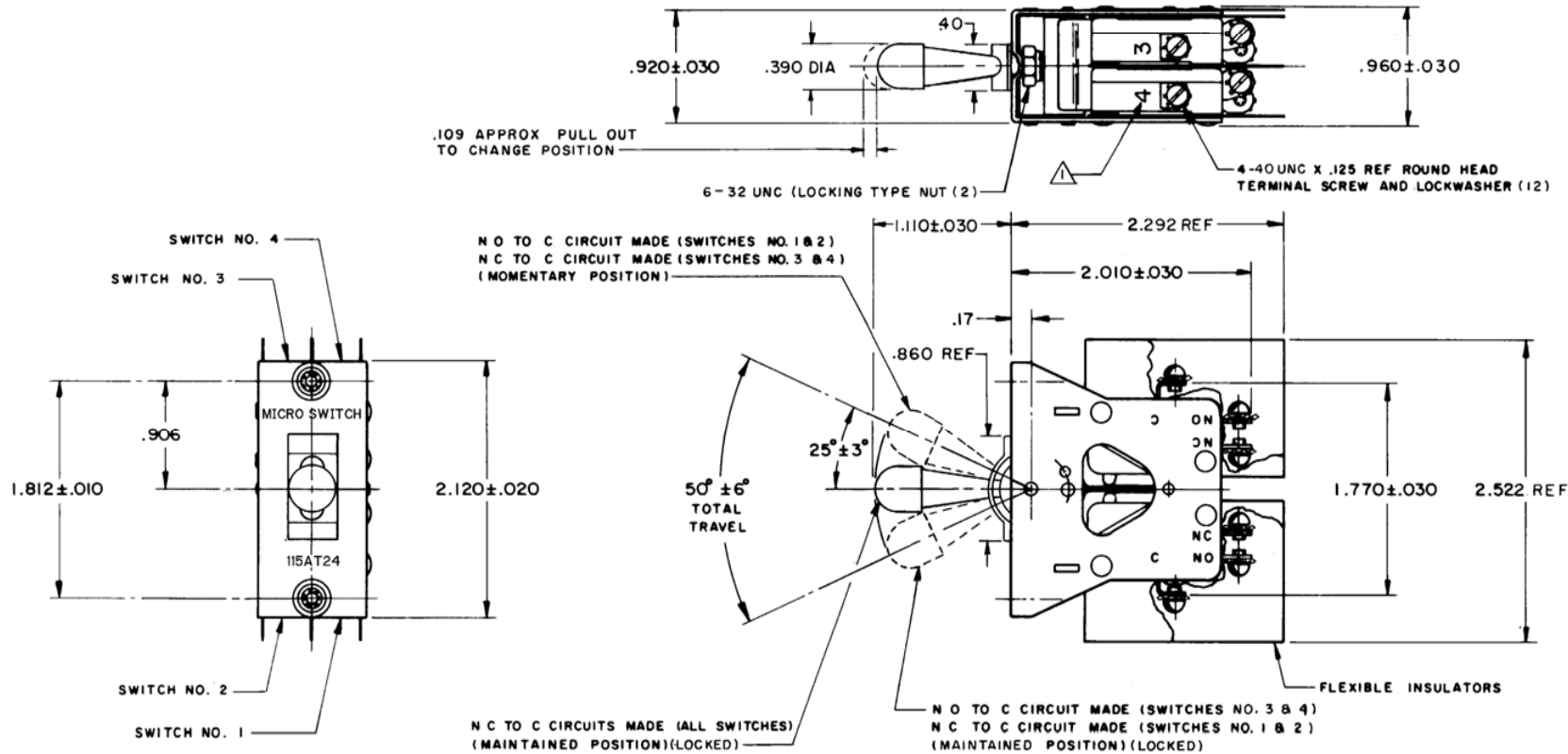


**ASSEMBLY-  
 TOGGL SWITCH**

CATALOG LISTING  
**115 AT 24**

DRAWN: MBF 25 SEP 63  
 CHECKED: DAW 25 SEPT 63  
 DESIGNED: BRT 25 SEPT 63  
 APPROVED: M 86  
 PART NO: 1269  
 RELEASE NO: SR 11269  
 REPLACES: 115AT24



**NOTES**  
 1- BASIC SWITCH NO. MARKED ON EACH BASIC SWITCH  
 2- UNIT INCLUDES CAT. LIST. V3-1 (4) BASIC SWITCHES  
 3- SWITCHES DO NOT NECESSARILY OPERATE SIMULTANEOUSLY

THIS DRAWING COVERS A PROPRIETARY ITEM AND IS THE PROPERTY OF MICRO SWITCH, A DIVISION OF MINNEAPOLIS-HONEYWELL REGULATOR CO. THIS DRAWING IS NOT TO BE COPIED OR USED WITHOUT THE APPROVAL OF MICRO SWITCH.		
<b>CHARACTERISTICS</b>	<b>ELECTRICAL DATA</b>	<b>SCALE FULL</b>
	CONTACT ARRANGEMENT S P D T (4)	DO NOT SCALE PRINT
	15 A-1/3 HP-125 OR 250 VAC 1/2 A-125 VDC; 1/4 A-250 VDC	UNLESS OTHERWISE SPECIFIED DIMENSIONS ARE IN INCHES
		<b>TOLERANCES ARE:</b>
		ONE PLACE (.0) ± .030
		TWO PLACE (.00) ± .018
		THREE PLACE (.000) ± .008
		ANGLES ±
		WEIGHT