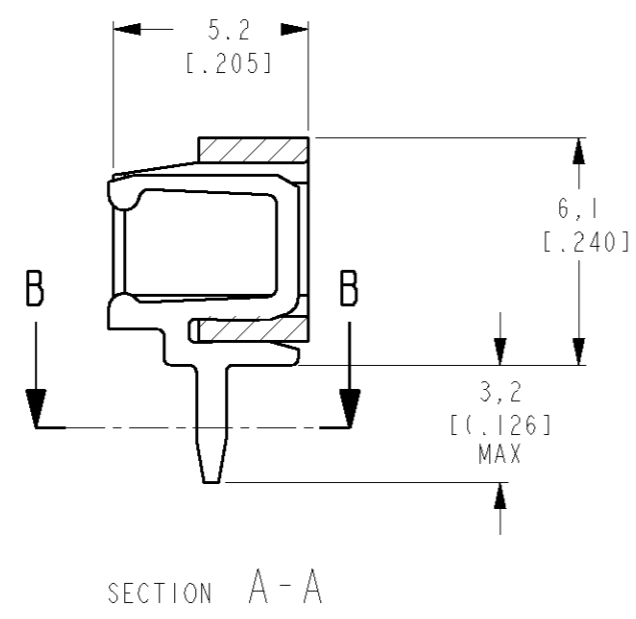
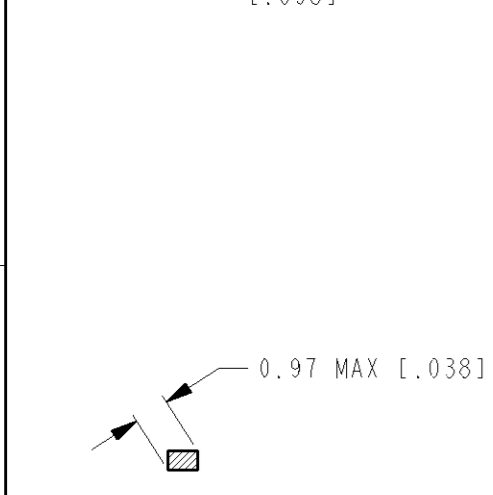
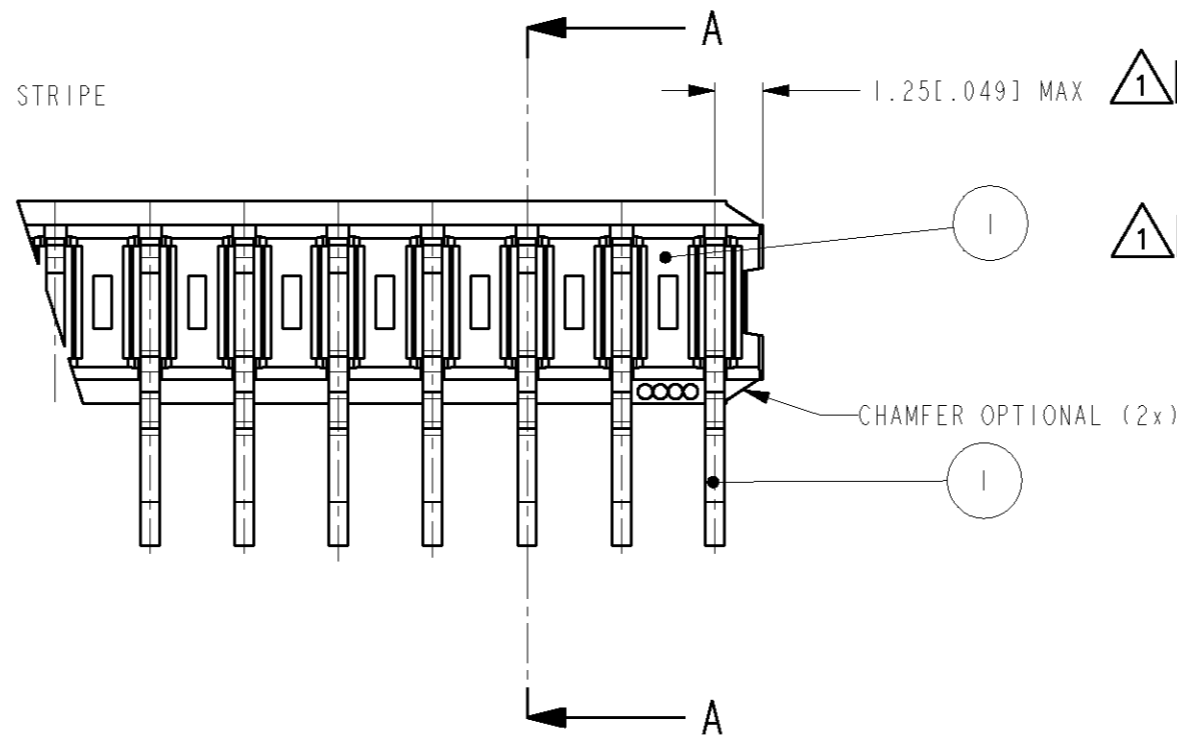
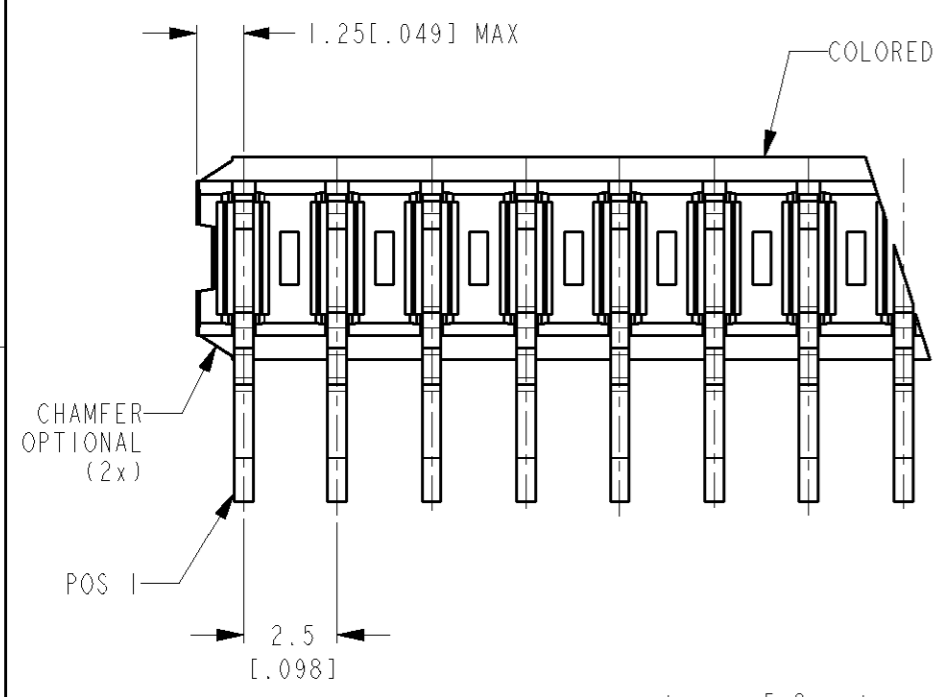
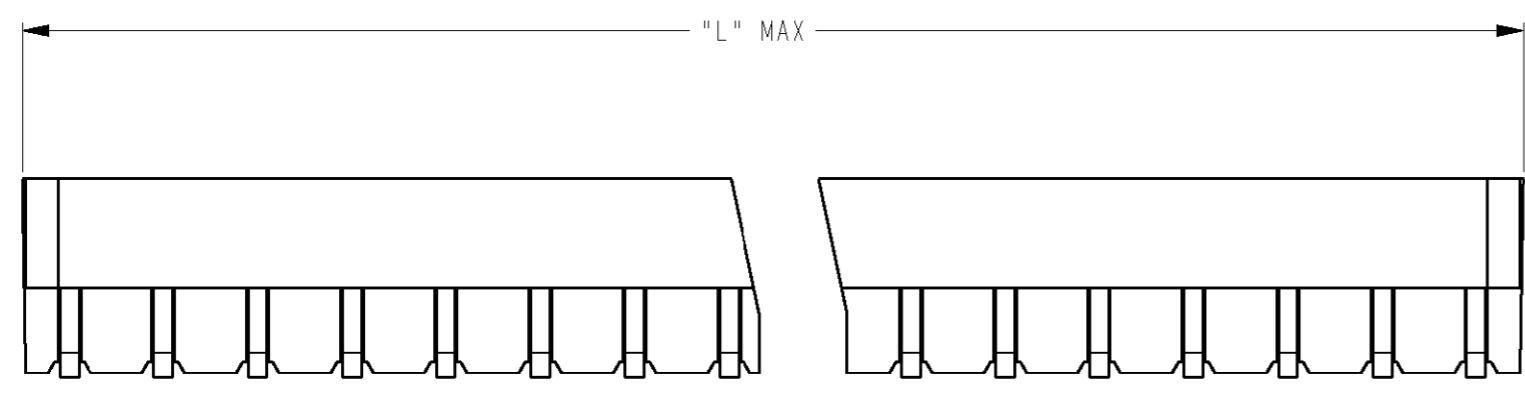


THIS DRAWING IS UNPUBLISHED. RELEASED FOR PUBLICATION
 © COPYRIGHT - BY TYCO ELECTRONICS CORPORATION. ALL RIGHTS RESERVED.

LOC	DIST	REVISIONS			
P	LTR	DESCRIPTION	DATE	DWN	APVD
	A	ECN EH10 0344 05	31marc2005	MG	MG
	A1	REVISED PER ECO-09-026495	28NOV09	KK	AEG



OBSOLETE

OBSOLETE

OBSOLETE

OBSOLETE

	NUMBER OF POSITIONS	L MAX.	
		M.M.	INCHES
5161800 -3	3	7,5	.296
5161800 -4	4	10,0	.394
5161800 -5	5	12,5	.493
5161800 -6	6	15,0	.591
5161800 -7	7	17,5	.690
5161800 -8	8	20,0	.788
5161800 -9	9	22,5	.886
1- 5161800 -0	10	25,0	.985
1- 5161800 -1	11	27,5	1.083
1- 5161800 -2	12	30,0	1.182
1- 5161800 -3	13	32,5	1.280
1- 5161800 -4	14	35,0	1.378
1- 5161800 -5	15	37,5	1.477
1- 5161800 -6	16	40,0	1.575
1- 5161800 -7	17	42,5	1.674
1- 5161800 -8	18	45,0	1.772
1- 5161800 -9	19	47,5	1.871
2- 5161800 -0	20	50,0	1.969

OBSOLETE PARTS: OBSOLETE CIS STREAMLINING PER D.RENAUD/D.SINISI

ITEM NO.	DESCRIPTION	MATERIAL	FINISH	QUANTITY
2	CONTACT	PHOSPHORBRONZE	TIN OVER NICKEL	SEE TABLE
1	HOUSING	PBT, 20% GF	GREEN	1

DIMENSIONS:	TOLERANCES UNLESS OTHERWISE SPECIFIED:
mm	0 PLC ±
	1 PLC ±
	2 PLC ±
	3 PLC ±
	4 PLC ±
	ANGLES ±
MATERIAL	FINISH

DWN 31 mar 05
 M.Gosselink
 CHR 31 mar 05
 M.Gosselink
 APVD -
 PRODUCT SPEC 108-19027
 APPLICATION SPEC -
 WEIGHT -
 CUSTOMER DRAWING

tyco Electronics
 TYCO ELECTRONICS NEDERLAND B.V.
 's-HERTOGENBOSCH, THE NETHERLANDS

NAME 3-20 POS FEMALE BOARD TO BOARD CONNECTOR ASSEMBLY FOR MINI-MATCH INTERCONNECTION SYSTEM, PITCH 2.5 MM

SIZE A3 CAGE CODE 00779 DRAWING NO C=5161800 RESTRICTED TO -

SCALE - SHEET OF REV **A1**