



CABLE TIE INSTALLATION TOOL Part No. ST3EH

FOR INSTALLING:
PAN-Ty, DURA-Ty, STA-STRAP, IN-LINE AND DOME-TOP
Barb Ty CABLE TIES OF LIGHT-HEAVY (LH), HEAVY (H) AND
EXTRA-HEAVY (EH) CROSS SECTIONS.

MADE IN USA

NOT INTENDED FOR MEDICAL USE.
User is responsible to determine suitability
of product for intended use.



For Technical Support:
888-506-5400, ext. 3255
Fax: 630-759-7532

Website: www.panduit.com
E-mail: cs@panduit.com



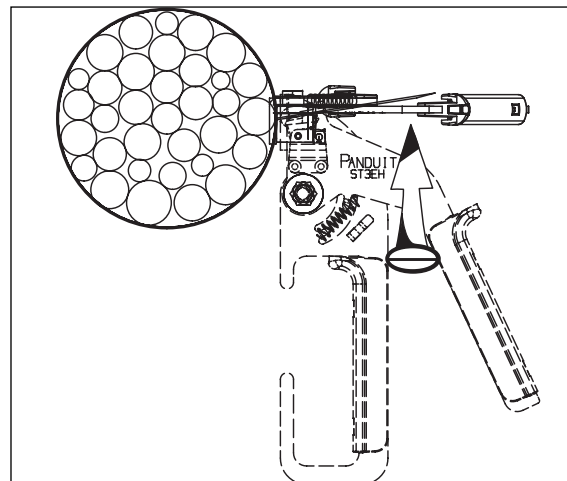
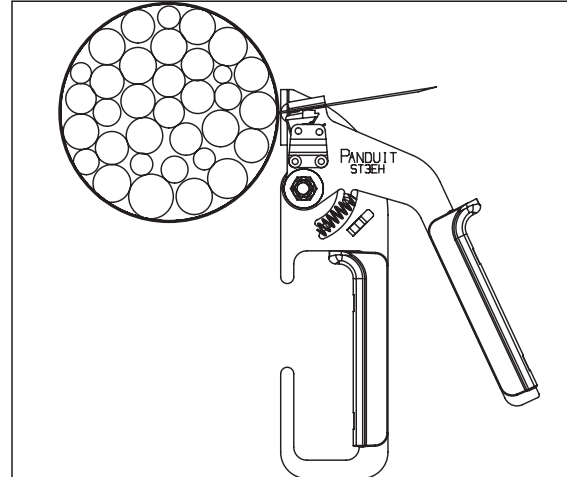
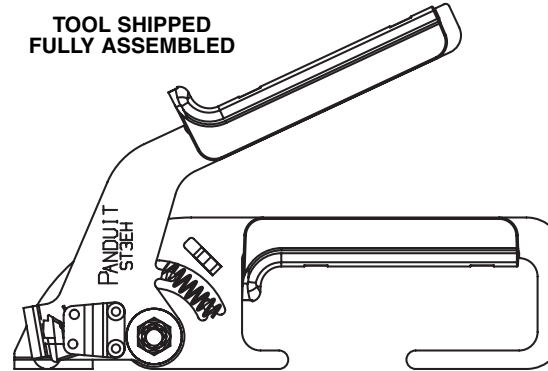
ST3EH

PA25119A01
Rev. 00 4-2006

OPERATION INSTRUCTIONS

© Panduit Corp. 2006

TOOL SHIPPED
FULLY ASSEMBLED



TOOL MAINTENANCE

TO INHIBIT CORROSION AND MAINTAIN PERFORMANCE OF THE TOOL, KEEP THE METAL SURFACES COATED WITH A LIGHT OIL (WD-40® OR EQUIVALENT).

NOTE: This precision tool has been engineered and designed for use with *PANDUIT* cable ties. It is not intended for other uses such as cutting or tensioning wires or other types of fastening devices.

OPERATING INSTRUCTIONS

1. Loop cable tie around bundle with serrations on inside and insert tip through head. Pull tie up snug on bundle by hand.
2. Place tool on tie as shown.
3. Squeeze handles as many times as necessary to tighten tie to the desired tension.
(Do not overtighten tie.)
4. Release handle pressure to the minimum necessary to hold nose against tie head and twist tool 1/2 turn – then squeeze handles to pull cut off tail from tie.

TROUBLESHOOTING

If cable tie is breaking when applied, or cable tie is not being cut off flush, check to see that the cable ties are not being overly tightened.