

3 Port Air Operated Valve

Series **SYJA300/500/700**

Features

- ➔ Compact and low weight.
- ➔ Choice of NC and NO functions.
- ➔ Body ported and base mounted version.



How to Order

Body ported **SYJA 5 1 2 - M5**

Base mounted **SYJA 5 1 4**

Symbol	Bore size	Applicable series
M3	M3	SYJA300
M5	M5	SYJA500
O1F	1/8	SYJA700

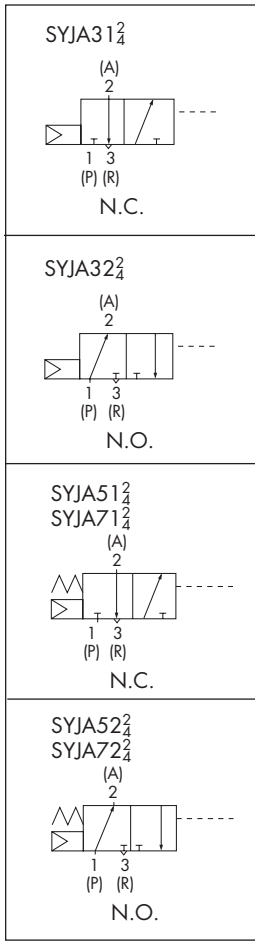
Bracket	
Nil	Without bracket
F	With bracket

Series	
3	SYJA300
5	SYJA500
7	SYJA700

Type of actuation	
1	Normally closed
2	Normally open

Port size		
Symbol	Bore size	Applicable series
Nil	Without sub-plate	
M5	M5 with sub-plate	SYJA300
O1F	1/8 with sub-plate	SYJA500
O2F	1/4 with sub-plate	SYJA700

Symbols



Note

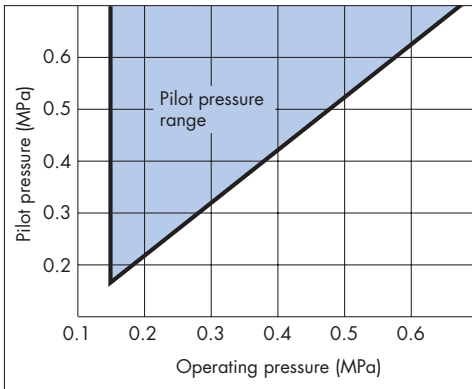
- ➔ Manifolds and single subbases are common to SYJ300,500 and 700 series solenoid valves. Please refer to that section for details.

Specifications

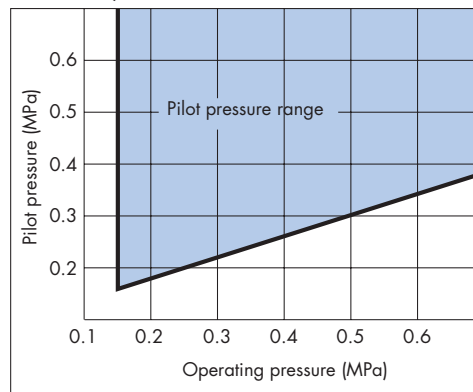
Fluid	Air
Operating pressure range (MPa)	0.15 to 0.7
Pilot pressure range (MPa) ^{Note 1)}	See charts in the next page
Ambient and fluid temperature (°C)	-10 to 50 (No freezing)
Lubrication	Not required (Use turbine oil Class 1 ISO VG32, if lubricated.)
Mounting orientation	Unrestricted

Pilot Pressure Range

SYJA300



SYJA500/700

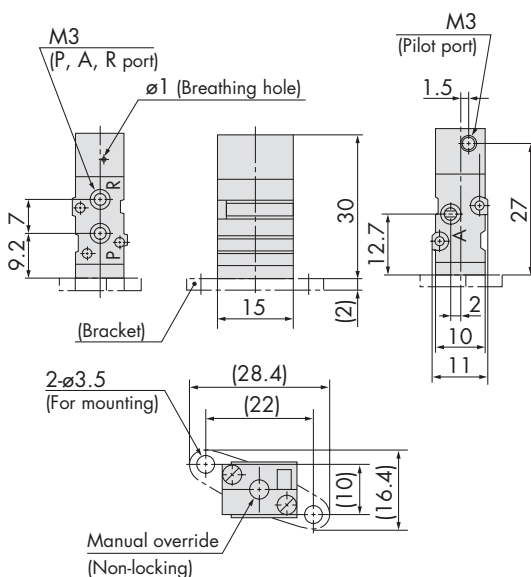


Flow Characteristics/Weight

Valve model		Type of actuation	Port size	Flow characteristics						Pilot port size	Weight (g)
				1 → 2 (P → A)			2 → 3 (A → R)				
				C [dm ³ /(s bar)]	b	Cv	C [dm ³ /(s bar)]	b	Cv		
Body ported	SYJA312-M3	N.C.	M3	—	—	—	—	—	—	M3	18
	SYJA322-M3	N.O.		—	—	—	—	—	—		
Base mounted (with sub-plate)	SYJA314-M5	N.C.	M5	0.41	0.18	0.086	0.35	0.33	0.086	M3	39 (Without sub-plate 18)
	SYJA324-M5	N.O.		0.36	0.31	0.089	0.36	0.31	0.089		
Body ported	SYJA512-M5	N.C.	M5	0.53	0.45	0.14	0.47	0.39	0.12	M5	45
	SYJA522-M5	N.O.		0.66	0.45	0.18	0.66	0.45	0.18		
Base mounted (with sub-plate)	SYJA514-01	N.C.	1/8	1.2	0.41	0.32	1.1	0.46	0.32	M5	75 (Without sub-plate 45)
	SYJA524-01	N.O.		1.3	0.37	0.33	1.2	0.48	0.34		
Body ported	SYJA712-01	N.C.	1/8	2.8	0.43	0.77	2.5	0.51	0.76	M5	80
	SYJA722-01	N.O.		2.7	0.38	0.72	2.4	0.42	0.69		
Base mounted (with sub-plate)	SYJA714-01	N.C.	1/8	2.9	0.32	0.71	2.7	0.34	0.69	M5	130 (Without sub-plate 80)
	SYJA714-02		1/4	3.0	0.31	0.74	2.6	0.33	0.66		
	SYJA724-01	1/8	2.8	0.21	0.70	2.3	0.45	0.63			
	SYJA724-02	1/4	2.7	0.31	0.68	2.3	0.48	0.64			

Dimensions:

Body ported: SYJA3□2-M3(-F)



Base mounted: SYJA3□4-M5

