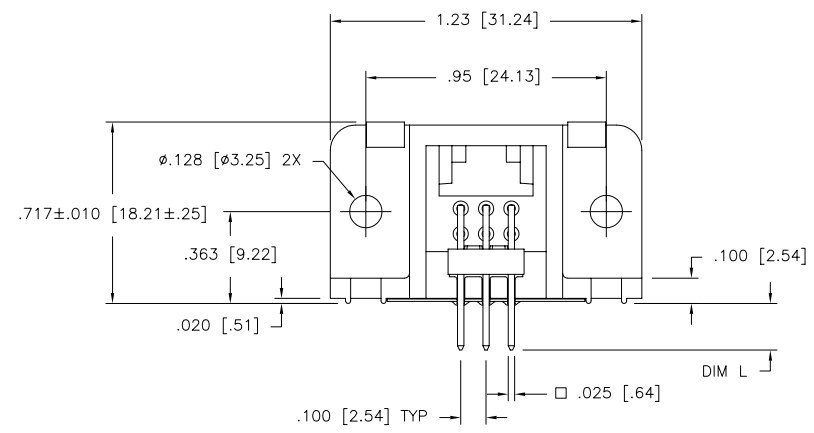
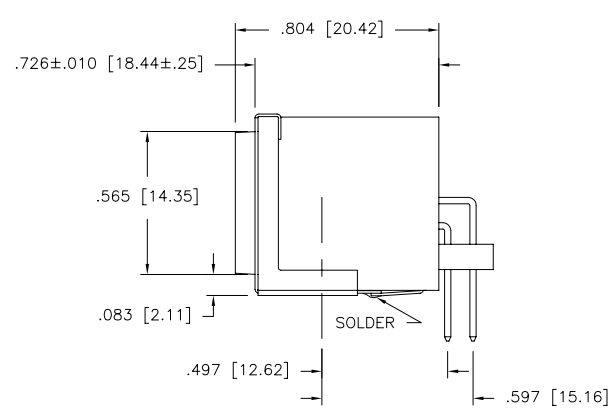
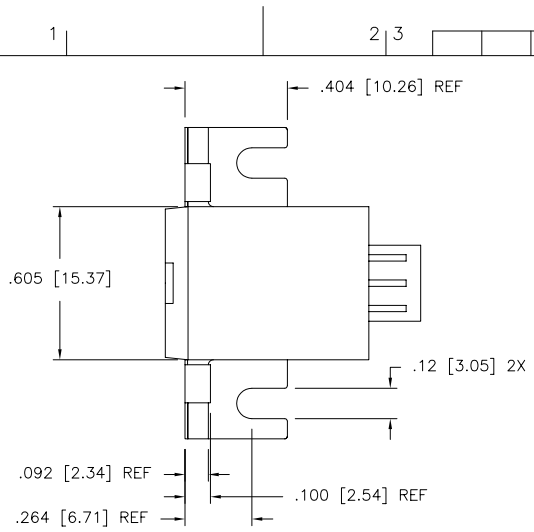


PRODUCT NUMBER
SEE TABLE



Copyright FCI

mat'l. code		surface ISO 1302 ✓		tolerance ISO 406 ISO 1101		projection INCH/MM		product family LATCH-N-LOK	
ltr		ecn no dr		date		tolerances unless otherwise specified		title	
A	"	MRC	6/21/90	angles	linear	.XX±.01/.3	INCH/MM	2X3 LNL RT. ANGLE PANEL MT.	
B	"	RDS	10/18/90	0'±2'		.xxx±.005/.13	scale 1:1	PANEL GROUND HEADER ASS'Y	
C	V02231	TFG	10/13/00			.xxxx±.0020/.051		dwg no sheet 1 of 2 size	
D	v10986	TFG	2/21/01	dr	M. CORNMAN	6/21/60		78085 A3	
E	M05-0050	ERE	03/15/05	engr	D. HORCHLER	6/21/90		type Product Customer Drawing	
F	M06-0254	AGS	7/04/06	chr	D. HORCHLER	6/21/90			
sheet index		revision sheet		F	F				
				1	2				

form: A3

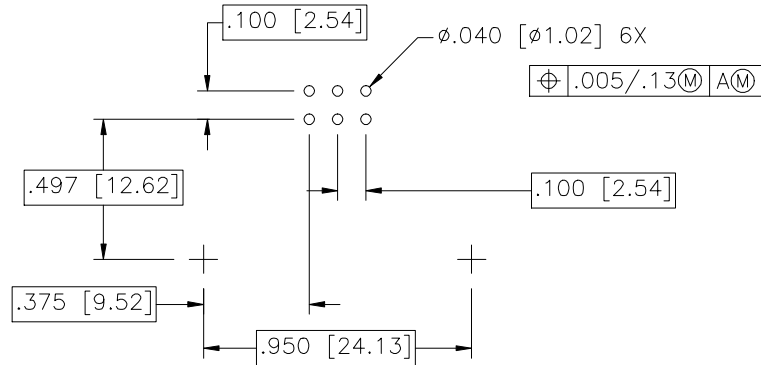
78085-XXXXLF

LEAD FREE OPTION (6) (7)

	COLOR (4)
1	70343 LT GRAY
2	80166 OFF WHITE
3	70634 DK GRAY
4	701 BLACK
5	70511 SLATE GRAY
7	70455 SILVER GRAY
8	80189 PEARL WHITE
9	70419 PEBBLE GRAY

	PLATING (8)
0	30u" GXT
3	30u" AU OVER 50u" NI
5	50u" AU OVER 50u" NI

PIN LENGTH	
	DIM L
0	.200/5.08
1	.130/3.30



RECOMMENDED P.C.B. LAYOUT

NOTES:

- HEADER SHROUD
MATERIAL: POLYCARBONATE,
94V-0 RATED.
- GROUND CONTACT
MATERIAL: COPPER ALLOY
PLATING: 200u"/5.08 93/7 TIN/LEAD
LEAD FREE OPTION:
PLATING: 200u"/5.08 PURE TIN
- SIGNAL CONTACT
MATERIAL: COPPER ALLOY
PLATING: SEE TABLE
- NUMBERS SHOWN ARE FOR GE LEXAN AND
ARE FOR REFERENCE ONLY.
- THIS ASSEMBLY UL APPROVED PER FILE E66906 VOL. 1, SEC. 84
AND CSA APPROVED PER MASTER FILE LR46923.
- ADD LF SUFFIX AT THE END OF PART NUMBER FOR LEAD FREE OPTION.
- THIS PRODUCT MEETS EUROPEAN UNION DIRECTIVES AND OTHER
COUNTRY REGULATION AS DESCRIBED IN GS-22-008.
- PLATING OPTIONS:
MAY BE EITHER GOLD OR GXT PLATED AT MANUFACTURER'S OPTION.



Copyright FCJ

mat'l. code		surface ISO 1302	tolerance ISO 406 ISO 1101	projection	product family LATCH-N-LOK
ltr	ecn no	dr	date	tolerances unless otherwise specified	title
F				angles linear O'±2'	INCH/MM 2X3 LNL RT. ANGLE PANEL MT. PANEL GROUND HEADER ASS'Y
				dr engr chr appd	scale 1:1 dwg no sheet 2 of 2 size A3
					type Product Customer Drawing
sheet index	revision sheet				