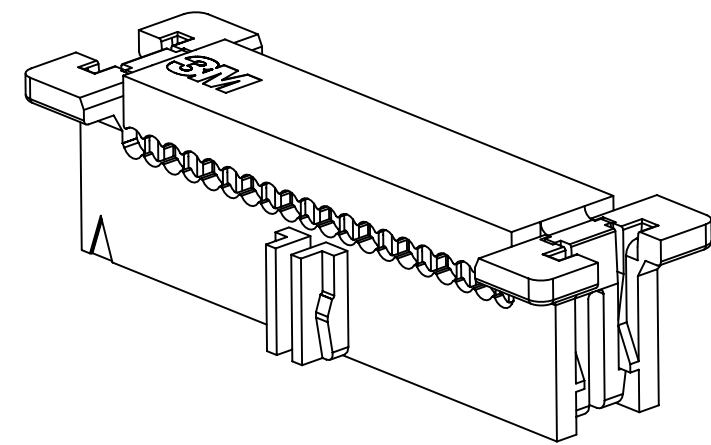
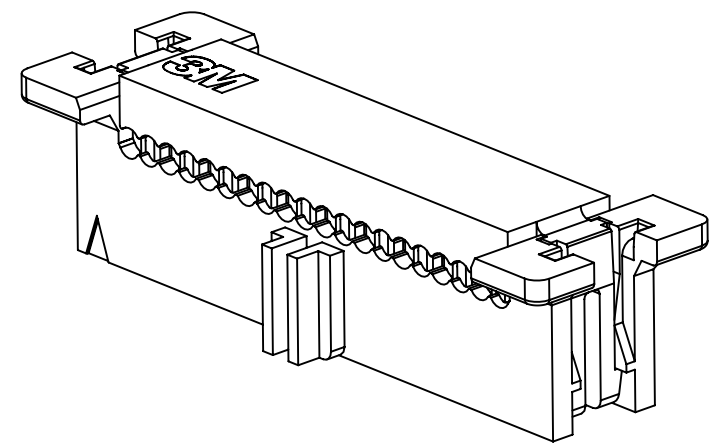


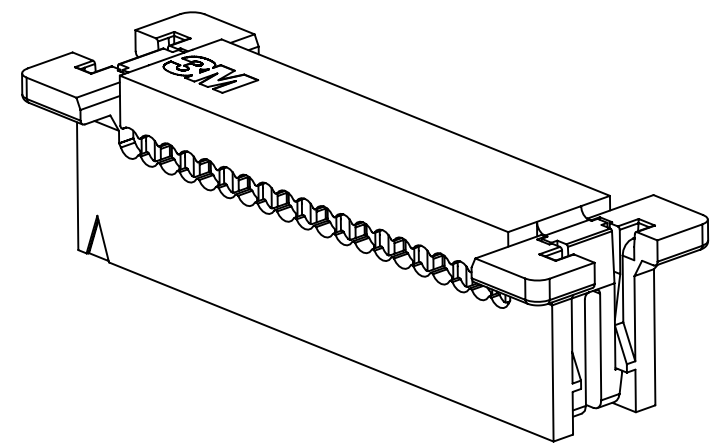
3M™ RIBBON CABLE WIREMOUNT SOCKET ASSEMBLY,
 .05" X .05" (1.27mm X 1.27mm) PITCH, 451 SERIES



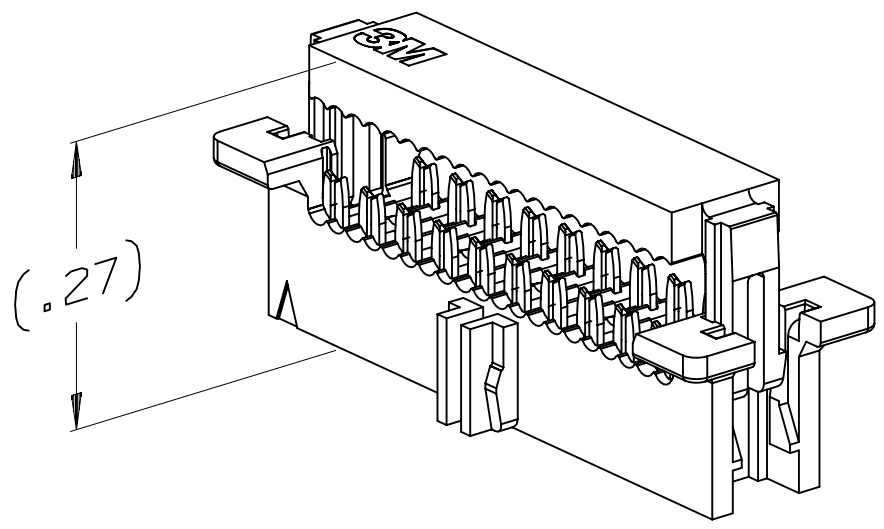
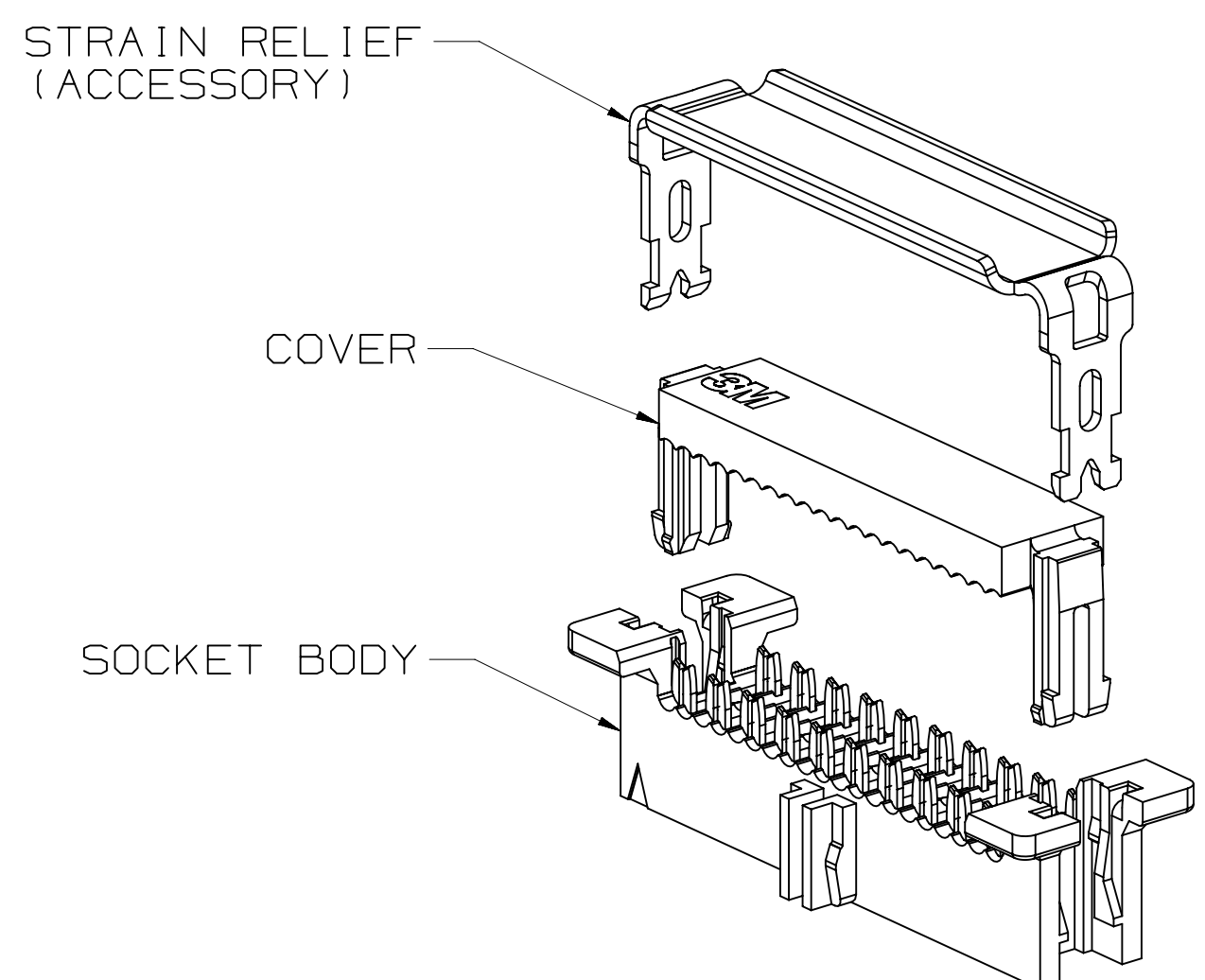
CENTER POLARIZATION
AND FRICTION LATCH



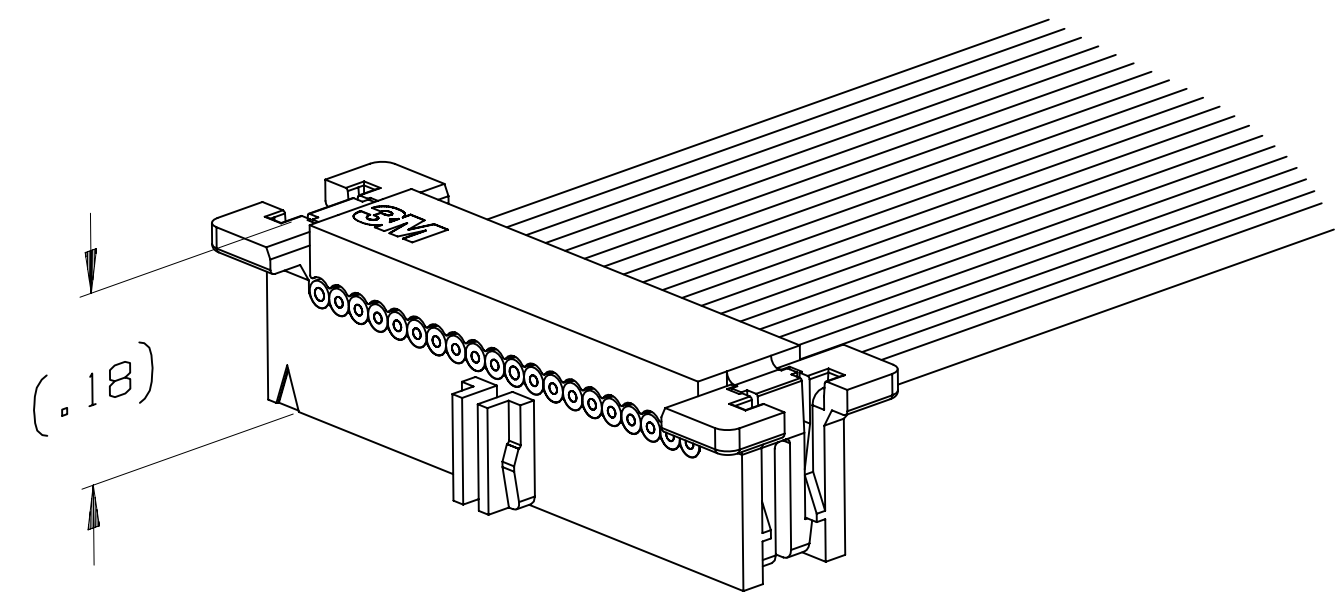
CENTER POLARIZATION
AND NO FRICTION LATCH



NO CENTER POLARIZATION
AND NO FRICTION LATCH

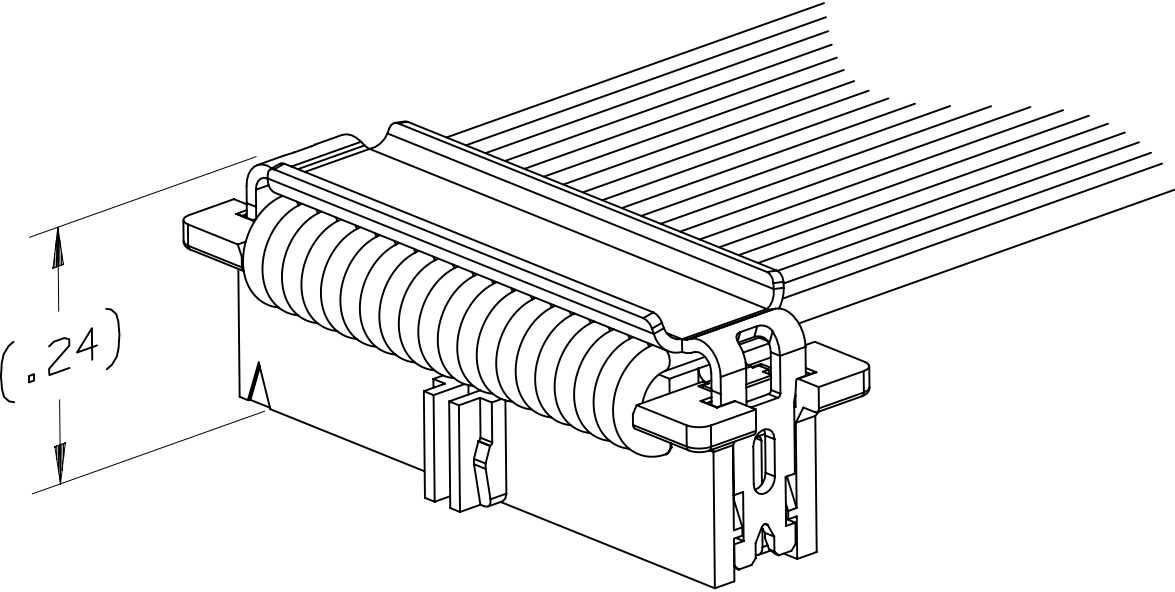


PRE-POSITIONED COVER



NO STRAIN RELIEF

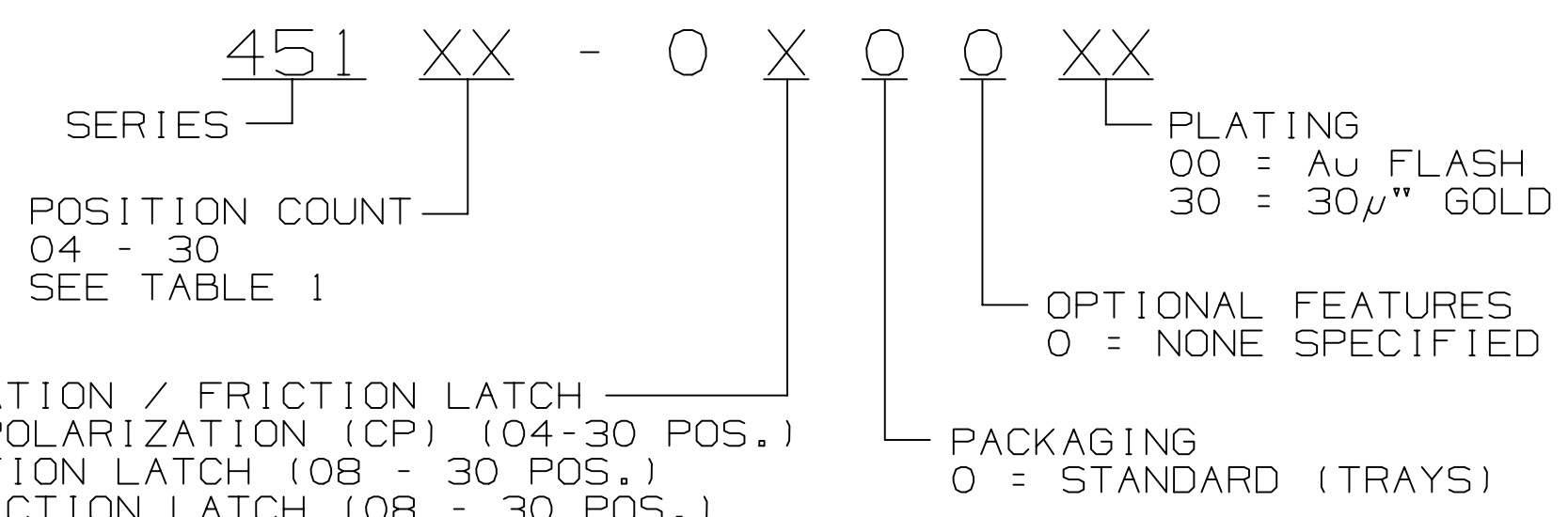
TERMINATED
CONNECTOR



WITH OPTIONAL
STRAIN RELIEF

Performance:	
Current Rating:	1.0 A, all lines energized, 30C temp rise per EIA 364-70
	1.5 A, 6 lines energized, 30C temp rise per EIA 364-70
	2.5 A, 1 line energized, 30C temp rise per EIA 364-70
Voltage Rating:	125V
Insulation Resistance:	> 1 x 10 ⁹ Ohms at 500 VDC
Withstanding Voltage:	1250VACrms at sea level
Operating Temperature:	-65°C to +105°C

ORDERING INFORMATION
FOR RAPID INSTALLATION ON
RIBBON CABLE APPLICATIONS



CENTER POLARIZATION / FRICTION LATCH
 0 = NO CENTER POLARIZATION (CP) (04-30 POS.)
 1 = CP NO FRICTION LATCH (08 - 30 POS.)
 2 = CP WITH FRICTION LATCH (08 - 30 POS.)

NOTE:
 FRICTION LATCH (OPTION 2) IS NOT SUITABLE
 FOR HEADER WITH LATCH EJECT OPTION

ACCESSORY: STRAIN RELIEF
 3448-451XX

POSITION COUNT
 04 - 30

APPLICATION TOOLING:
 ALUMINUM: 3443-82-XX

POSITION COUNT
 04 - 30

- NOTES
- MATERIAL:
 BODY: PBT, UL94V-0
 COVER: PBT, UL94V-0
 STRAIN RELIEF: STAINLESS STEEL
 CONTACTS: BeCu ALLOY.
 - PLATING:
 50-150μ" NICKEL UNDERPLATE
 30 = 30μ" MIN. GOLD ON WIPING AREA
 00 = FLASH GOLD ON WIPING AREA.
 - RIBBON CABLE COMPATIBILITY:
 GENERAL:
 0.025" PITCH PVC, 30 AWG,
 SOLID OR 7 STRAND.
 RECOMMENDED:
 3M 3447 AND 3754 SERIES
 CABLE.
 - MATING COMPATIBILITY:
 3M .050" X .050" SERIES 452
 HEADER WITH LATCH/EJECT
 OPTION.
 - REGULATORY INFORMATION:
 ROHS COMPLIANT. SEE THE
 REGULATORY INFORMATION
 APPENDIX (RIA) IN THE
 "ROHS COMPLIANCE" SECTION
 OF WWW.3MCONNECTORS.COM
 FOR COMPLIANCE INFORMATION
 (RIA E1 & C1 APPLY)
 - IN THE EVENT OF CONFLICT
 BETWEEN THIS DATA AND THAT
 CONTAINED IN THE PRODUCT
 SPECIFICATION, THE PRODUCT
 SPECIFICATION TAKES PRECEDENT.
 - REFERENCE RELATED DOCUMENTS:
 PRODUCT SPECIFICATION:
 3M DOC. ID# 78-5102-0091-4.
 - TOOLING AND INSTALLATION
 INSTRUCTIONS:
 3M DOC. ID# 78-9101-8937-8.
 - OTHER PIN COUNTS AVAILABLE
 UPON REQUEST. CONTACT 3M.
 - PACKAGING:
 SOCKET: TRAY
 COVER: BAG

3M™ ELECTRONIC SOLUTIONS DIVISION
 INTERCONNECT SOLUTIONS
<http://www.3mconnectors.com>

3M IS A TRADEMARK OF 3M COMPANY.
 FOR TECHNICAL, SALES OR ORDERING
 INFORMATION CALL 800-225-5373

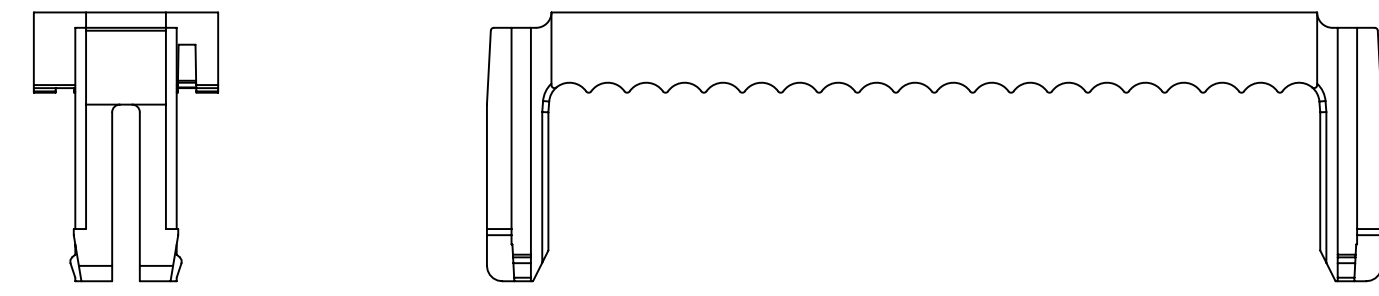
DESIGN REFERENCE	NEXT ASSEMBLY	REV	ECO	ISSUE DATE AND DESCRIPTION	DRFT	CHKD
DIVISION		3M Center		This document and the information it contains are 3M property and may not be reproduced or further distributed without 3M permission, or used or disclosed other than for 3M authorized purposes. All rights reserved.		
Interconnect Solutions		ISD		© 3M COPYRIGHT 2013		
DO NOT SCALE DRAWING	SCALE 6-1	TOLERANCES EXCEPT AS NOTED		3M		
THIRD ANGLE PROJECTION		INCHES		RIBBON CABLE SOCKET, .05 X .05 PITCH, 451 SERIES		
INTERPRET PER ASME Y14.5 - 1994		MILLIMETERS		CAGE NUMBER		
MAX SURFACE ROUGHNESS		D		78-5100-2436-3		
LIT SURFACES		C		REV. C		
MARKED ONLY		MODEL		SHT 1 OF 2		

78-5100-2436-3 REV. C
 3.3 10/29/2013 10:42 AM UTC-05:00

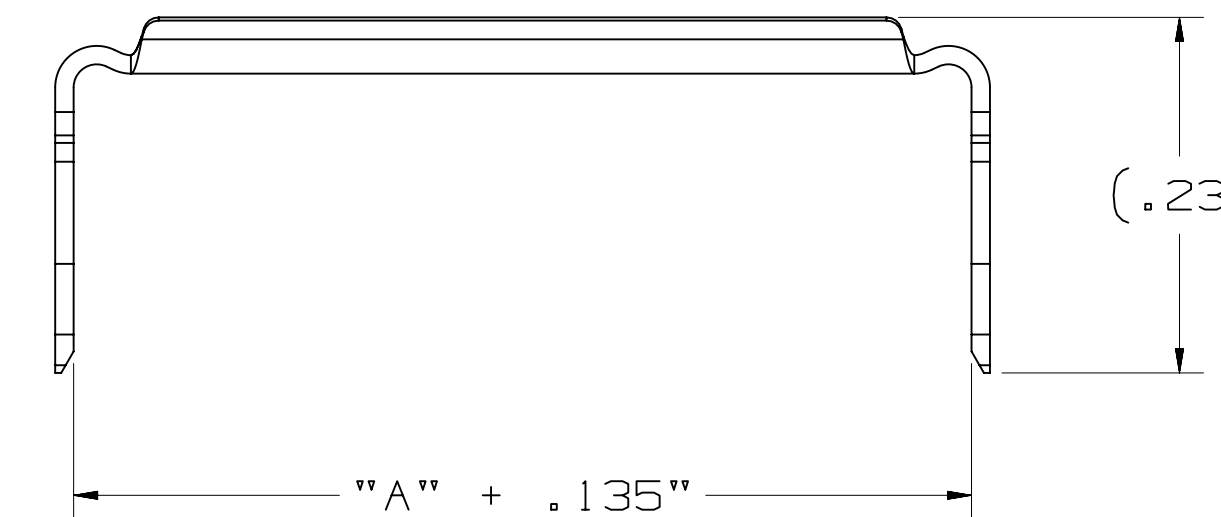
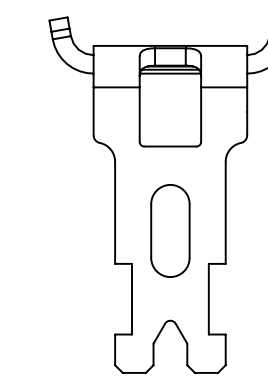
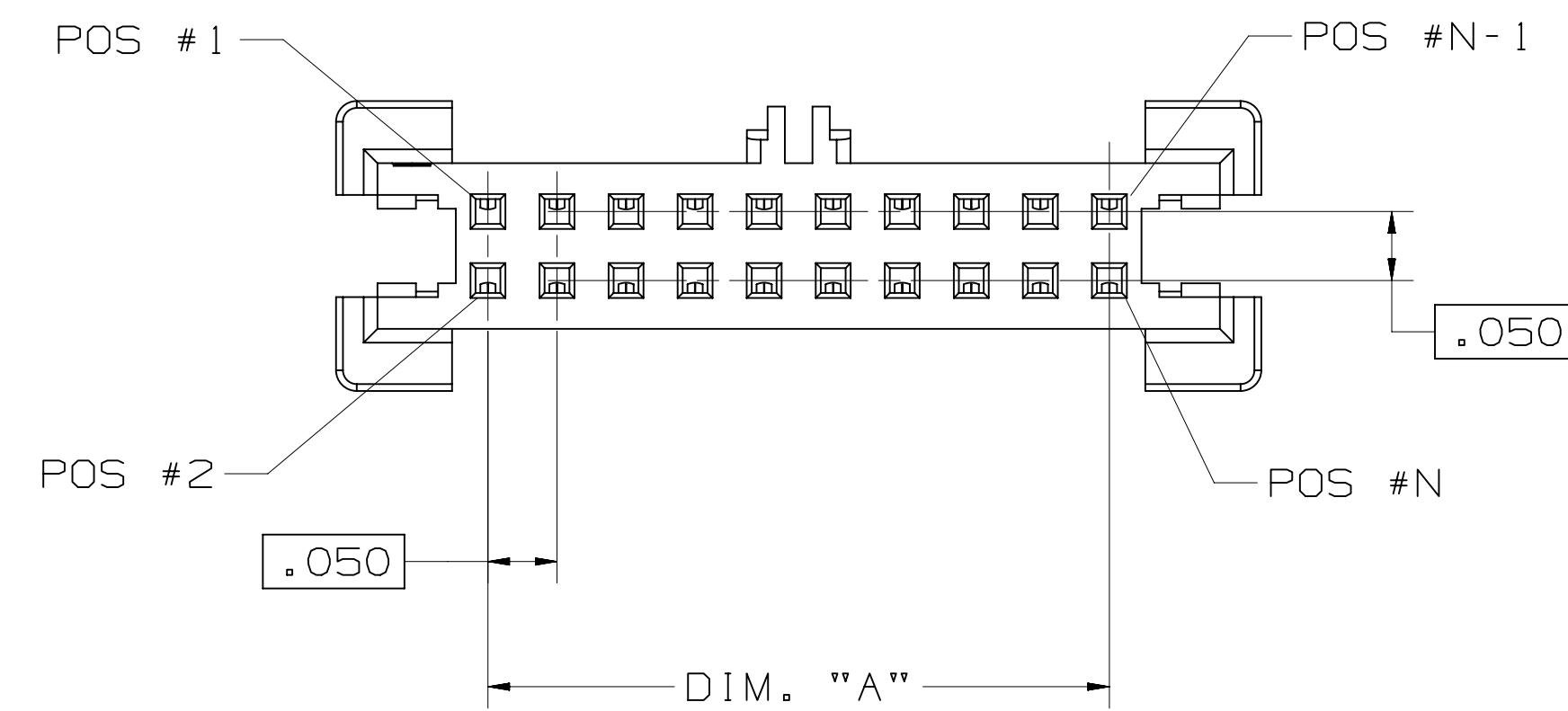
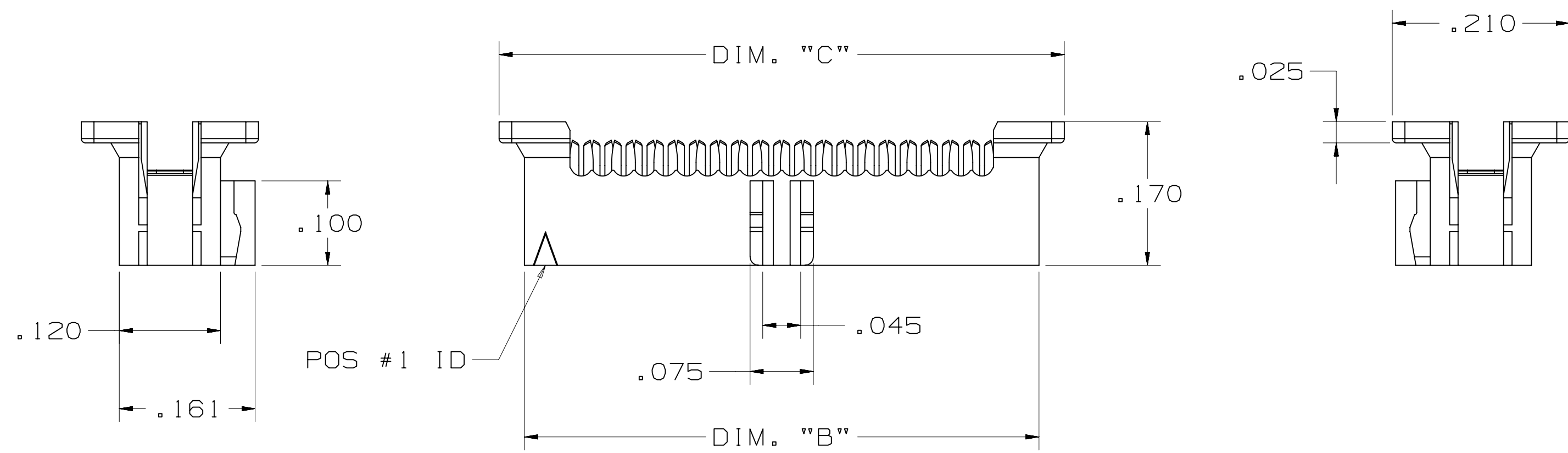
3M™ RIBBON CABLE WIREMOUNT SOCKET ASSEMBLY,
 .05" X .05" (1.27mm X 1.27mm) PITCH, 451 SERIES

TABLE 1

No. Positions	Dim "A"	Dim "B"	Dim "C"
4	.050	.210	.270
6	.100	.260	.320
8	.150	.310	.370
10	.200	.360	.420
12	.250	.410	.470
14	.300	.460	.520
16	.350	.510	.570
20	.450	.610	.670
30	.700	.860	.920



COVER



ACCESSORY - STRAIN RELIEF
 PART NUMBER 3448-451XX

REV	ECO	ISSUE DATE AND DESCRIPTION	DRFT	CHKD
C	50290	OCT 08, 2013 REVISE NOTES 1, 3, 8 & OPERATING TEMP.	JNC	SN
B	48635	JUL 12, 2013 MATCH TEXT FONTS & ADD NOTE 10	JNC	SN
A	46797	MAR 25, 2013 PRODUCTION RELEASE	JNC	SAN

DESIGN REFERENCE	NEXT ASSEMBLY	REV	ECO	ISSUE DATE AND DESCRIPTION	DRFT	CHKD
		ARM		FEB 11, 2011		
DIVISION	DIVISION CODE	DATE	DATE	DATE	DATE	DATE
Interconnect Solutions	ISD					
DO NOT SCALE DRAWING	SCALE 4/1	TOLERANCES EXCEPT AS NOTED	© 3M COPYRIGHT 2013 This document and the information it contains are 3M property and may not be reproduced or further distributed without 3M permission, or used or disclosed other than for 3M authorized purposes. All rights reserved.			
THIRD ANGLE PROJECTION	INTERPRET PER ASME Y14.5 - 1994	INCHES 0 ± .1 .00 ± .02 .000 ± .010 .0000 ± .005	TITLE RIBBON CABLE SOCKET, .05 X .05 PITCH, 451 SERIES			
MAX SURFACE ROUGHNESS	MARKED ONLY	MILLIMETERS 0 ± .1 .00 ± .02 .000 ± .005	CAGE NUMBER	SIZE	DRAWING NO.	REV.
			D78-5100-2436-3		C	
			MODEL	DET	YES	NO
				SHT	2	OF 2

78-5100-2436-3
 DRAWING NUMBER
 C.3 10/29/2013 10:42 AM UTC-05:00
 REVISION