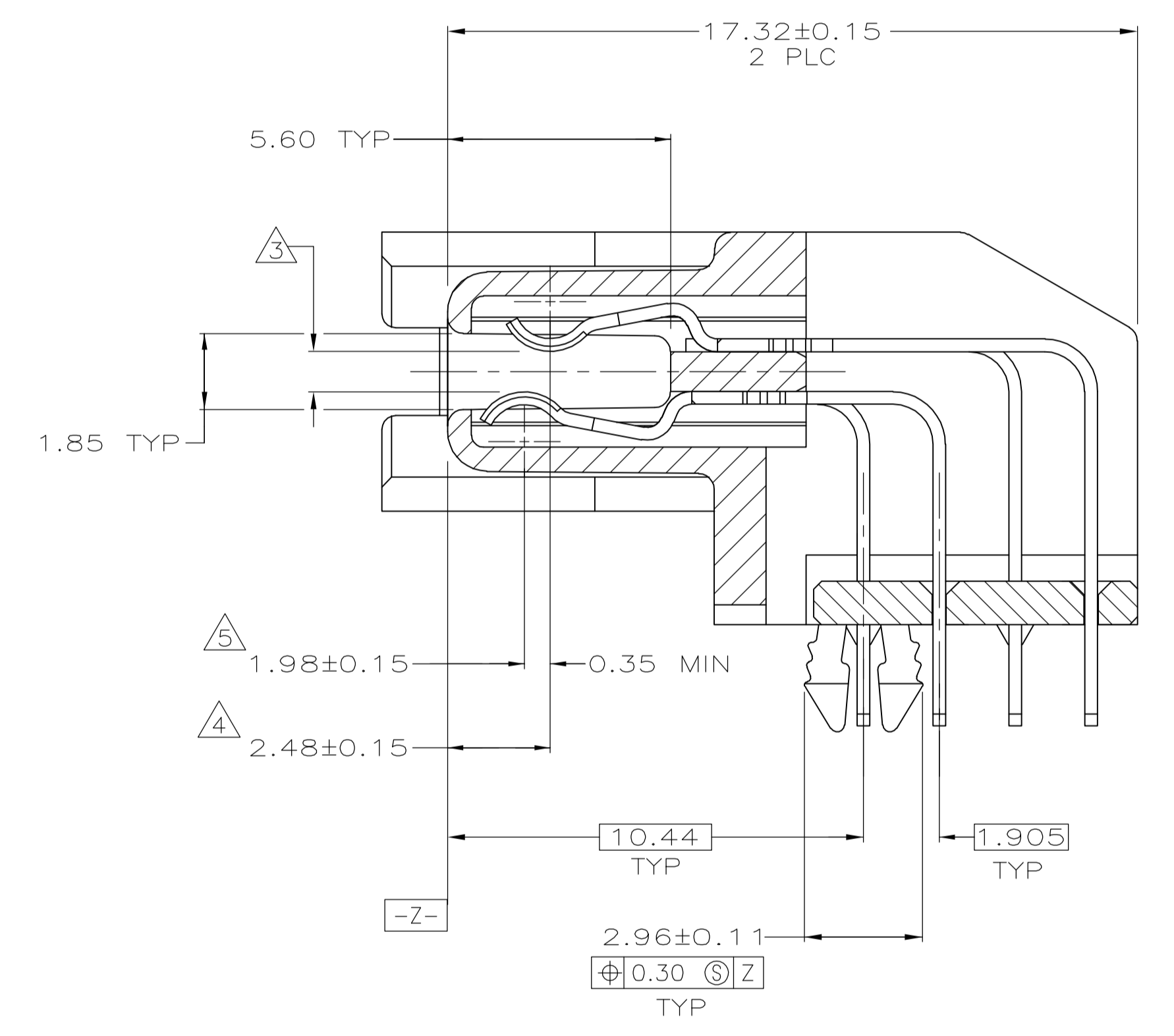


RECOMMENDED PC BOARD MOUNTING DIMENSIONS COMPONENT SIDE

- ① HOUSING AND TINE PLATE: LCP, BLACK, UL 94V-0 RATED.
TERMINALS: PHOSPHOR BRONZE.
RETENTION LEGS: BRASS.
- ② TERMINALS: 0.76µm MIN GOLD FOR A LENGTH 1.20 MIN STARTING 0.50 MAX FROM MATING END, 3.81µm MIN TIN-LEAD FOR A LENGTH OF 3.40 MIN FROM OPPOSITE END, BOTH OVER 1.27µm MIN NICKEL.
RETENTION LEGS: 3.81µm MIN TIN-LEAD OVER 1.27µm MIN NICKEL.
- ③ CONNECTOR WILL ACCOMMODATE MATING PRINTED CIRCUIT BOARD OF 1.60±0.07.
- ④ CONTACTS 1-10,15,16 ARE POSITIONED AWAY FROM MATING FACE (SECOND MATE).
- ⑤ CONTACTS 11-14 AND 17-20 ARE POSITIONED TOWARD MATING FACE (FIRST MATE).
- ⑥ TERMINALS: 0.76µm MIN GOLD FOR A LENGTH 1.20 MIN STARTING 0.50 MAX FROM MATING END, 3.81µm MIN TIN FOR A LENGTH OF 3.40 MIN FROM OPPOSITE END, BOTH OVER 1.27µm MIN NICKEL.
RETENTION LEGS: 3.81µm MIN TIN OVER 1.27µm MIN NICKEL.



SECTION B-B SCALE 8:1

YES	⑥	3.05	787653-4
YES	⑥	2.54	787653-3
NO	②	3.05	787653-2
NO	②	2.54	787653-1
LEAD FREE FINISH		D	PART NUMBER

THIS DRAWING IS A CONTROLLED DOCUMENT.		DIN B MCMMASTER 29MAR04	 Tyco Electronics Corporation Harrisburg, Pa 17105-3608
DIMENSIONS: mm		CHK S. SHUEFY 29MAR04	
TOLERANCES UNLESS OTHERWISE SPECIFIED:		APVD B MCMMASTER 29MAR04	NAME
0 PLC ± -		RECEPTACLE ASSEMBLY, RIGHT ANGLE, 20 POSITION, BOARD TO BOARD, .050, SERIES 1, CHAMP BLINDMATE	
1 PLC ± ±		108-1548	
2 PLC ± ± 0.10		APPLICATION SPEC	
3 PLC ± ±		114-6061	
4 PLC ± ±		SIZE CAGE CODE DRAWING NO RESTRICTED TO	
ANGLES ± ±		A1 00779C=787653	
MATERIAL FINISH SEE TABLE		WEIGHT	
①		CUSTOMER DRAWING SCALE 4:1 SHEET 1 OF 1 REV H	