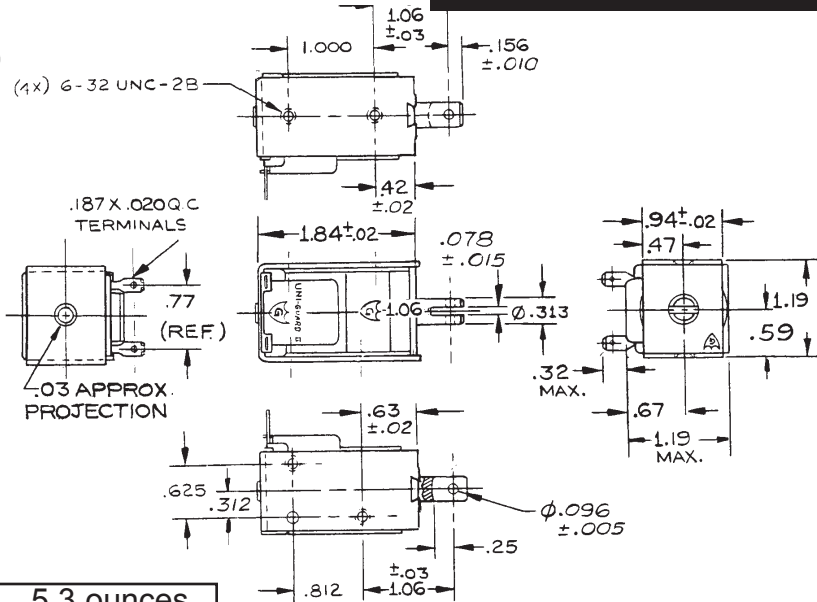
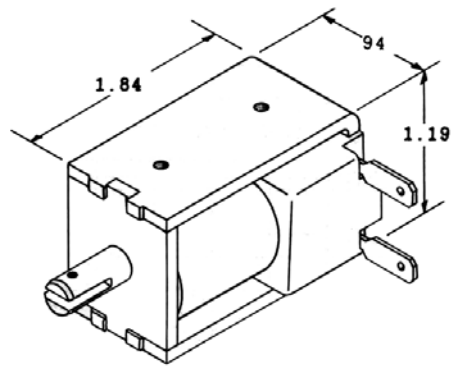



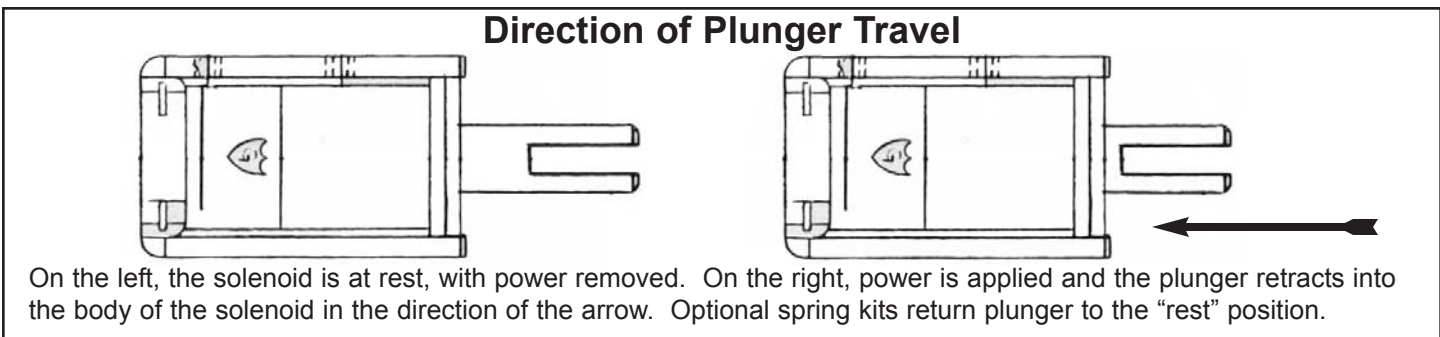
Model 11 DC Frame Solenoid



Total Weight: 5.3 ounces
Plunger Weight: 0.6 ounces

Duty Cycle:	Continuous 100% On-Time	Intermittent 25% (100 Seconds Max)	UL Recognition Recognized under the Component Recognition Program of Underwriters Laboratories Inc. 
Power Consumption:	7.8 Watts	22 Watts	
Current Draw: 12VDC	0.652 Amp	1.60 Amps	
24VDC	0.258 Amp	0.83 Amps	
Holding Force: 12VDC	82 ounces	93 ounces	
24VDC	82 ounces	93 ounces	
Resistance: 12VDC	18.4 Ohms	7.5 Ohms	
24VDC	93.1 Ohms	29.1 Ohms	

Stroke, in inches:	Pull Force in ounces							
	0.050"	0.125"	0.250"	0.375"	0.500"	0.625"	0.750"	1.000"
Continuous Duty:	35	21	10	6	4	2	1	1
Intermittent Duty:	62	46	27	18	10	8	6	5



Guardian part numbers look like this:

11 - I - 12VDC

The first number is the model number, the middle letter defines Intermittent or Continuous Duty cycle, and the third number is the power supply to the solenoid.

Ordering Information

Model	—	Duty Cycle	—	Power Supply
11	—	I	—	12 VDC
		C	—	24 VDC

I = Intermittent
C = Continuous