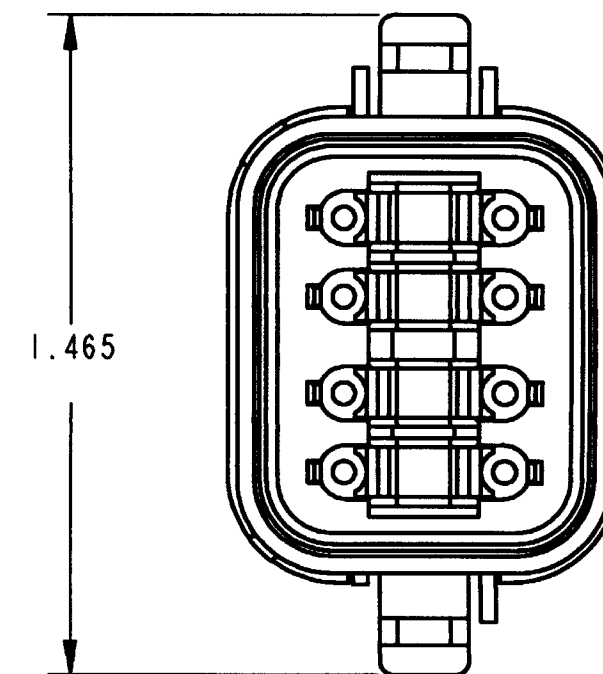
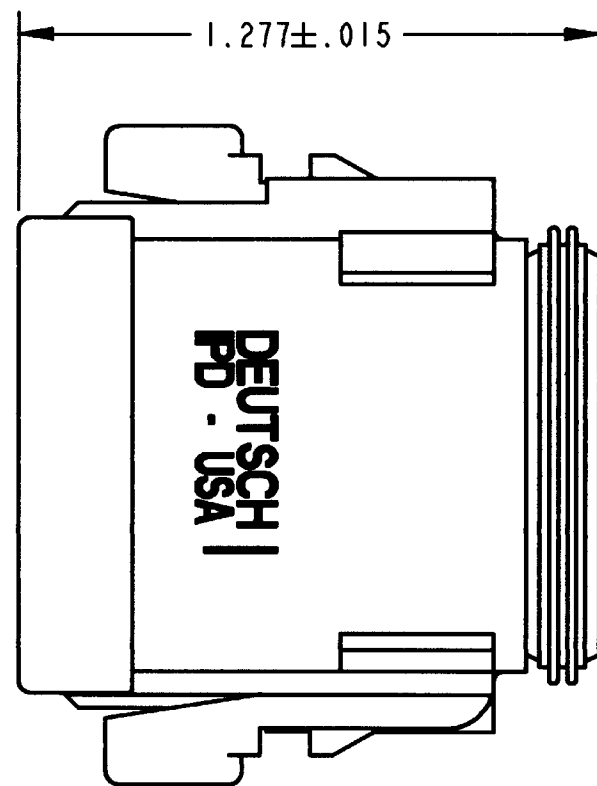
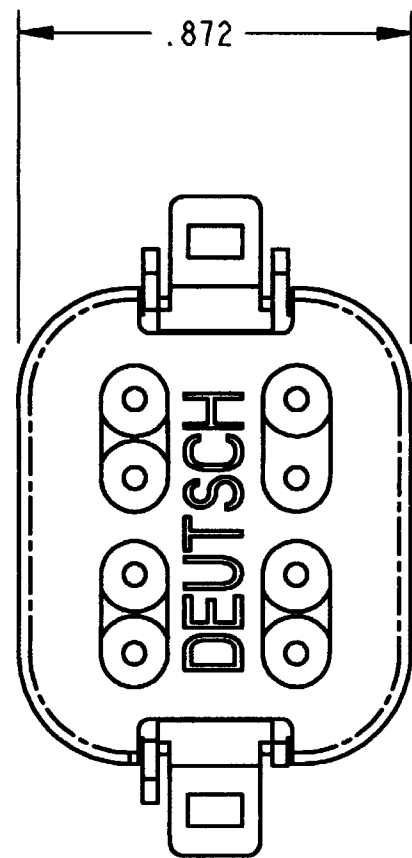


REV
A DT06-08SA-E005

REVISIONS			
SYM	DESCRIPTION	DATE	APPROVED
NC	NEW RELEASE PER E.O. A14645	10-20-99	R.D.R.
A	REVISED PER E.O. P17370	8-20-01	RDR



4. THIS PLUG MATES WITH DT04-08PA-**** RECEPTACLE.
(**** = ALL MODIFICATIONS).

CONTACT SIZE	MIN. INSUL. O.D.	MAX. INSUL. O.D.	WIRE RANGE [mm] ² REF ONLY ³
16	.088 [2.23]	1.35 [3.68]	14-20 AWG 2.0-0.5

³ FOR WIRE AND CONTACT SPECIFICATION AND APPLICATIONS, SEE ENVELOPE DRAWINGS 0425-015-0000 AND 0425-017-0000.

2. ALL DIMENSIONS ARE ±0.025 [0.64] UNLESS OTHERWISE SPECIFIED.

NOTES: 1. ALL DIMENSIONS ARE IN INCHES [MILLIMETERS].

SIGNATURE & DATE	
DR	X. SANCHEZ 26 JUL 01
CHK	<i>William Tomoa</i> 15-01
PE	<i>John Homan</i> 8/10/01
APPD	<i>SB</i> 8-16-01
SCALE	NONE WT

8 WAY PLUG
COLOR: BLACK
-E005 MOD.
D.T. SERIES

ENVELOPE

CP	MATL. CODE
The Deutsch Company DEUTSCH I.P.D. 3850 INDUSTRIAL AVE. HEMET, CALIF. 92545	
B DT06-08SA-E005	
DWG SIZE	CODE 11139 SHEET OF