

CLB-Series

THERMAL CIRCUIT PROTECTORS

Rating:

3 to 60A, 125-250VAC, 32VDC

Approvals:

UL, CUL, CSA, TUV, CE
 UL1500/ISO8846 for ignition protection/marine

Dielectric Strength:

2500 VAC/1 minute

Interrupting capacity:

2500 amps @ 32 VDC

Insulation Resistance:

100M ohms

Operating Temperature:

-10°C to 60°C

Voltage drop:

< 0.25 V

Applications:

Household Appliances
 Transportation
 Marine
 Power Strips
 Medical Equipment
 Audio Visual Equipment
 Power Supplies

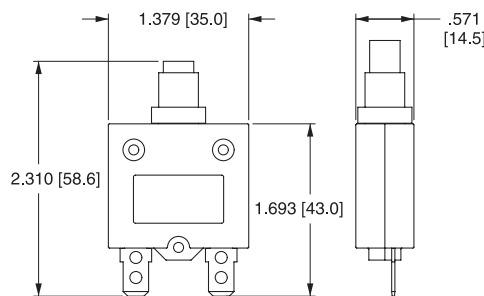
ROHS Compliant



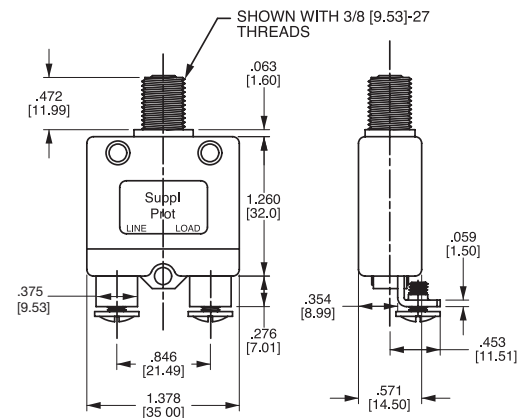
A COMPACT, SINGLE POLE, PUSH-TO-RESET FAMILY OF THERMAL CIRCUIT BREAKERS

Dimensional Specifications:

3-40A Construction



50 & 60A Construction



Carling Technologies®

Innovative Designs. Powerful Solutions.

Innovative Designs. Powerful Solutions.

CLB — 10 3 — 12 C 3 N — B — A /10

1 Series 2 Rating 3 Voltage 4 Mounting Hole 5 Bushing Type 6 Mounting Nut 7 Indicator Plate 8 Button 9 Terminal 10 Button Marking

1 SERIES
CLB

3 VOLTAGE
3 125-250VAC/ 32 VDC

2 RATING

03	3 amp	15	15 amp
04	4 amp	18	18 amp
05	5 amp	20	20 amp
06	6 amp	25	25 amp
07	7 amp	30	30 amp
08	8 amp	35	35 amp
10	10 amp	40	40 amp
12	12 amp	50 ¹³	50 amp
13	13 amp	60 ¹³	60 amp

4 MOUNTING HOLE

11¹ M11
12² M12
00³ Snap In Style
27⁹ 3/8" 27 UNS

5 BUSHING

METAL
A⁵ Type A
B⁶ Type B
J⁸ Type J

PLASTIC
C⁵ Type C
D⁷ Type D
E⁸ Type E

6 MOUNTING NUT⁹

N None
1 Type 1
2 Type 2
3 Type 3
4 Type 4
5 Type 5
6^{12,15} Type 6
7¹² Type 7
8¹² Type 8

NOTE: Type 5 is clear hex boot. Type 8 is black hex boot (available for bushings E & J only); Type 3 nut includes molded in "PRESS TO RESET" marking.

7 INDICATOR PLATE⁹

N None
A Embossed
B Silver Printing on Black

All indicator plates are marked "circuit breaker press to reset".

Notes: All dimensions are in [mm]. Tolerance ± 0.05 [127] unless otherwise specified.

1	Used with bushing A or B only.	10	> 35 amp ratings must use solder joint to connect wire to non-screw type terminals.
2	Used with bushing C only.	11	Terminals are .040 [1.0] thickness for ratings > 35 amp.
3	Used with bushing D only.	12	& .315 [8] thickness is for ratings < 35 amp.
4	Used with bushing E & J only.	13	Available with type E or J bushing only.
5	Used with M12 mounting hole only.	14	Available only with 10-24 unc. screw terms. (select type F, G, H, J only.) UL, CUL only.
6	Used with M11 mounting hole only.	15	Amp rating must match button marking (ex: "20" will be marked on the button of the breaker)
7	Used with mounting hole 00 only.	16	Thickness is 3.0 mm, .118 in.
8	Used with 27 mounting hole only.		
9	All hardware available separately. Consult factory.		

8 BUTTON

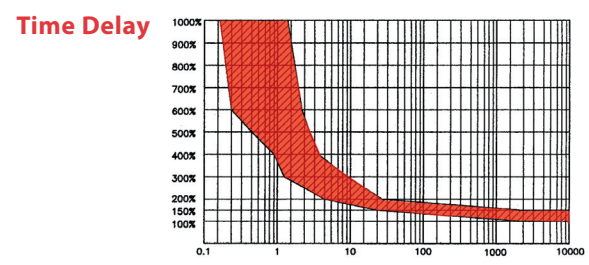
B Black R Red W White

9 TERMINAL^{10,11,16}

A Type A F Type F
B Type B G Type G
C Type C H Type H
D Type D J Type J
E Type E

10 BUTTON MARKING (IF BLANK, NO MARKING.)¹⁴ Button Marking Orientation: line load

03	3 amp	06	6 amp	10	10 amp	15	15 amp	25	25 amp	40	40 amp
04	4 amp	07	7 amp	12	12 amp	18	18 amp	30	30 amp	50	50 amp
05	5 amp	08	8 amp	13	13 amp	20	20 amp	35	35 amp	60	60 amp



CORRECTION FACTOR¹

0°C	x .67
10°C	x .72
15°C	x .83
18°C	x .87
25°C	x 1.00
32°C	x 1.05
40°C	x 1.18
50°C	x 1.33
60°C	x 1.67

OVERLOAD TRIP TIME

100%	NO TRIP
150%	TRIP IN 1 HR.
200%	5 - 35 SEC.
300%	1 - 10 SEC.
400%	.45 - 5.5 SEC.
600%	.1 - 20 SEC.

Notes:
Breaker must hold 100% of rated current and must trip at 150% and above, within the time limits shown in curve. Trip times specified at 25° ambient with no preloading.
1 To adjust the breaker rating for ambient temperature multiply the breaker rating by the factor. (ex: 5 amp rating at 0°C: 5 x .67 = 3.3 amp. Select 3 amp rating.)

*Manufacturer reserves the right to change product specification without prior notice.