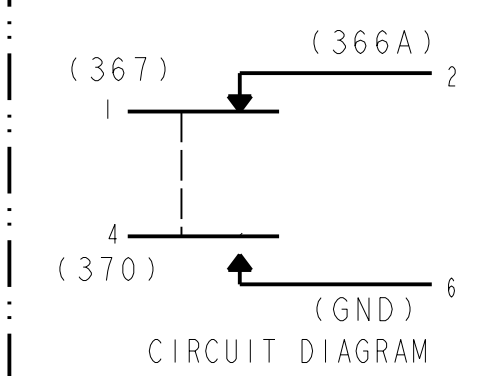


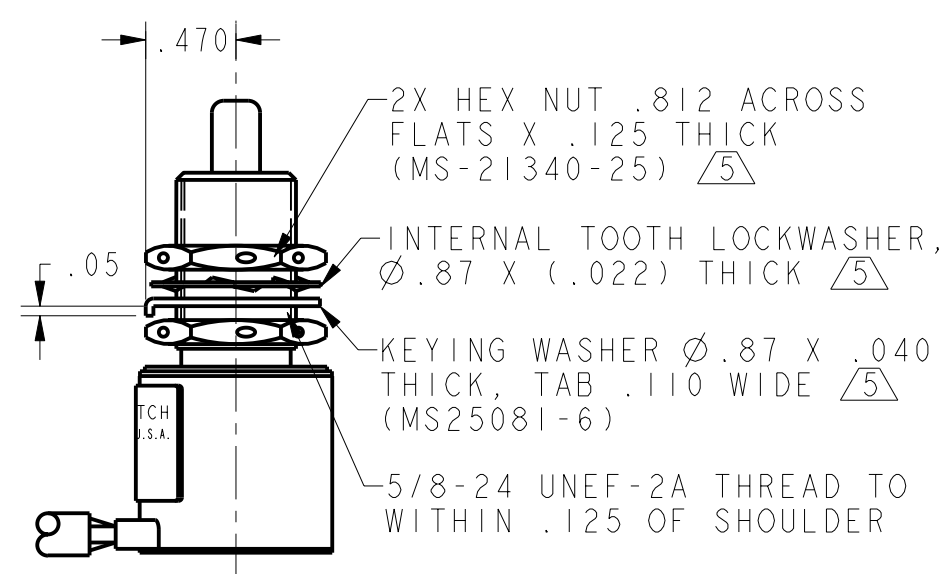
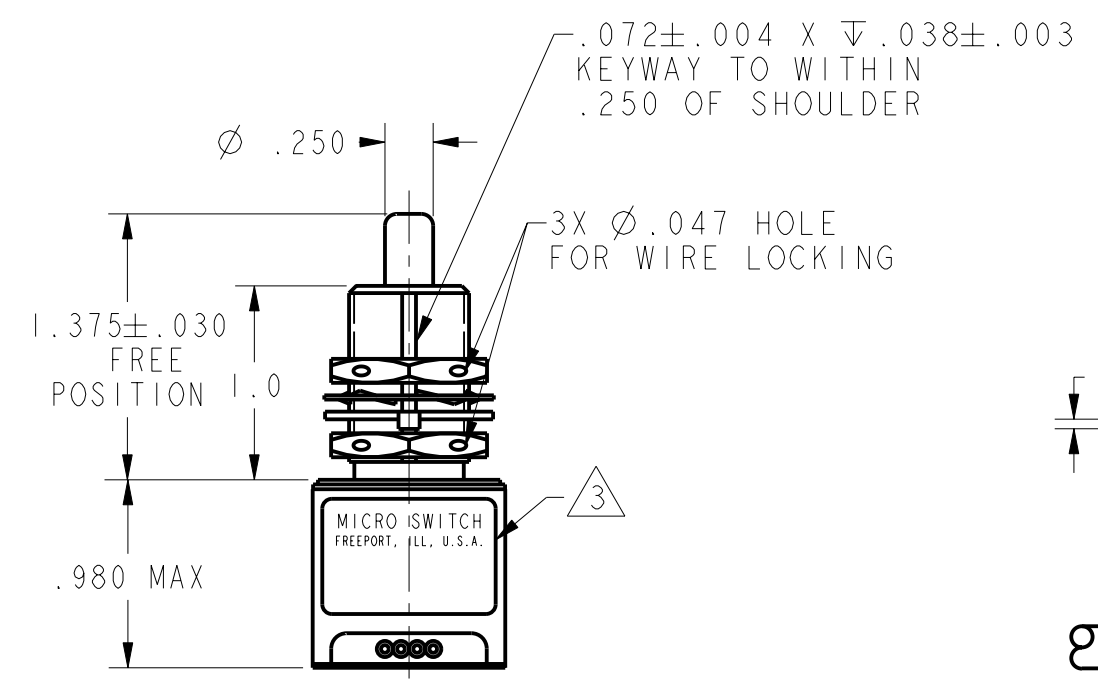
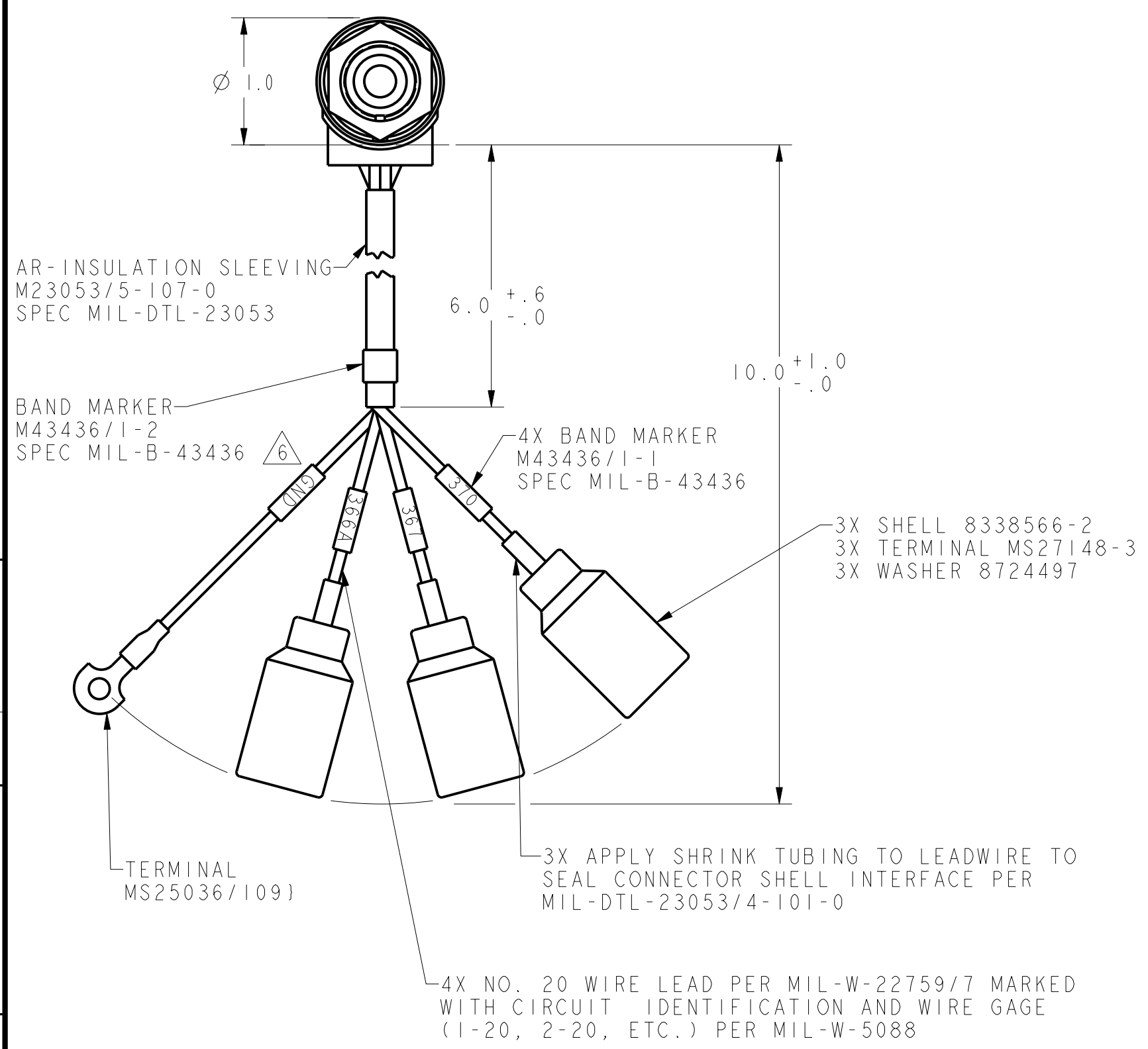


1EN617



LEADWIRE #	LABEL
1	367
2	366A
3	NOT ATTACHED
4	370
5	NOT ATTACHED
6	GND

SPECIFICATION DETAILS:				
STANDARD:	CONFORMS TO MS24331-1 (MIL-PRF-8805/40)			
CONSTRUCTION:				
ENCLOSURE DESIGN	RESILIENT SEAL PER MIL-PRF-8805, SYMBOL 4			
CONTACT MATERIAL & CONFIGURATION	SMOOTH SILVER CONTACTS			
CIRCUIT CONFIGURATION	2 SPST			
TERMINATION	LEADWIRE PER MIL-W-22759/7			
WEIGHT	.46 LB			
EXPOSED METALS	CORROSION RESISTANT STAINLESS STEEL (UNLESS OTHERWISE SPECIFIED)			
O-RING MATERIAL	SILICONE			
ELECTRICAL CHARACTERISTICS:				
ELECTRICAL RATINGS				
	VOLTAGE	RESISTIVE	LOAD INDUCTIVE	MOTOR
-SEA LEVEL	28 VDC	4A	2A	4A Δ
-50,000 FEET	28 VDC	4A	2A	4A Δ
DIELECTRIC STRENGTH & INSULATION RES				
	DIELECTRIC STRENGTH		INSULATION RESISTANCE	
	\approx 60 Hz FOR 5 SEC)		(500 VDC \pm 10%)	
-BETWEEN TERMINALS AND EXPOSED NON-CURRENT CARRYING METAL	1000V RMS, 500 μ A (MAX LKG)		1000 MEGOHM MIN	
-BETWEEN TERMINALS OF MUTUALLY INSULATED CIRCUITS	1000V RMS, 500 μ A (MAX LKG)		1000 MEGOHM MIN	
-BETWEEN ALL UNCONNECTED TERMINALS OF THE SAME POLE	1000V RMS, 500 μ A (MAX LKG)		1000 MEGOHM MIN	
SWITCH RESISTANCE	N/A			
RECOMMENDATION OR USE IN APPL LESS THAN .5 amps AND/OR 12 volts	NO Δ			
MECHANICAL CHARACTERISTICS:				
COINCIDENCE OF OPERATING AND RELEASING POINTS	.010 OF PLUNGER TRAVEL			
OPERATING FORCE	6-12 LBS			
FULL OVERTRAVEL FORCE	30 LB MAX			
RELEASE FORCE	4 LB MIN			
PRETRAVEL	.040 MAX			
DIFFERENTIAL TRAVEL	.020 MAX			
OVERTRAVEL	.250 MIN			
MOUNTING STRENGTH	15 IN-LBS			
ACTUATOR STRENGTH	30 LBS APPLIES IN A DIRECTION TO CAUSE SWITCH ACTUATION			
LIFE:				
MECHANICAL LIFE	25,000 MIN			
ELECTRICAL LIFE AT FULL RATED LOAD	PER MIL-PRF-8805/40 Δ			
ENVIRONMENTAL:				
TEMPERATURE RANGE	-55°C TO +85°C			
ALTITUDE RANGE	SEA LEVEL TO 50,000 FT			
SHOCK	PER MIL-PRF-8805 SYM M-100g			
VIBRATION	PER MIL-PRF-8805 SYM I-10-500 Hz & 10g PEAK			
MOISTURE RESISTANCE	PER MIL-PRF-8805			
THERMAL SHOCK	PER MIL-PRF-8805			
SALT SPRAY	PER MIL-PRF-8805			



NOTES

- LIFE RATINGS ARE PER MIL-PRF-8805 REQUIREMENTS. ACTUAL LIFE EXCEEDS RATED LIFE. CONTACT HONEYWELL-MICRO FOR ADDITIONAL DATA
- CONTACT HONEYWELL-MICRO SWITCH IF ADDITIONAL INFORMATION ON LOW ENERGY LOADS IS REQUIRED OR FOR HELP WITH SPECIFIED APPLICATIONS
- CIRCUIT DIAGRAM, CATALOG LISTING, DATE CODE AND CUSTOMER PART NUMBER 12349868 ON NAMEPLATE
- APPLICATION INFORMATION ONLY
- HARDWARE MAY BE PACKAGED UNASSEMBLED PER MIL-PRF-8805
- METAL STAMP, ENGRAVE OR ELECTRIC ARC PENCIL ON BAND MARKER IN .12-.19 HIGH CHARACTERS PER MIL-STD-130 19207-12349868 AND MANUFACTURING CAGE CODE. (PRIME MANUFACTURER SUPPLIER FURNISHING TO GOVERNMENT)

THIRD ANGLE PROJECTION		
SCALE FULL		
DO NOT SCALE PRINT		
UNLESS OTHERWISE SPECIFIED TOLERANCES ARE		
ONE PLACE	(.0)	\pm .030
TWO PLACES	(.00)	\pm .015
THREE PLACES	(.000)	\pm .005
ANGLES		\pm
WEIGHT		

THIS DRAWING COVERS A PROPRIETARY ITEM AND IS THE PROPERTY OF MICRO SWITCH, A DIVISION OF HONEYWELL. THIS DRAWING IS NOT TO BE COPIED OR USED WITHOUT THE APPROVAL OF MICRO SWITCH.

MICRO SWITCH a Honeywell Division	SWITCH - ENCLOSED	CATALOG LISTING 1EN617
---	--------------------------	----------------------------------

ANSI Y14.5M-1982 APPLIES

1EN617
DRAWING NUMBER
ISSUE 3
P.T.C./CAD 20
TSM
DRAWN
CHECK
JAF
IDEC99
REPLACES
PAGE 1 OF 1
RELEASE NO. PR-24162

Mouser Electronics

Authorized Distributor

Click to View Pricing, Inventory, Delivery & Lifecycle Information:

[Honeywell:](#)

[1EN617](#)