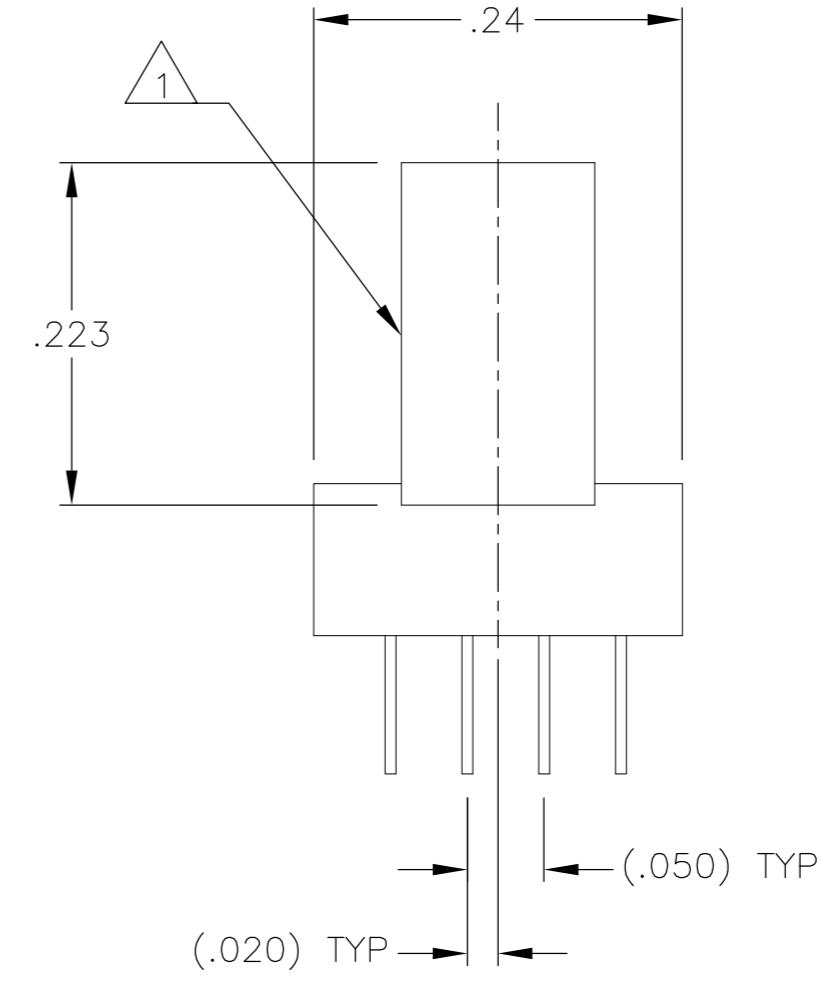
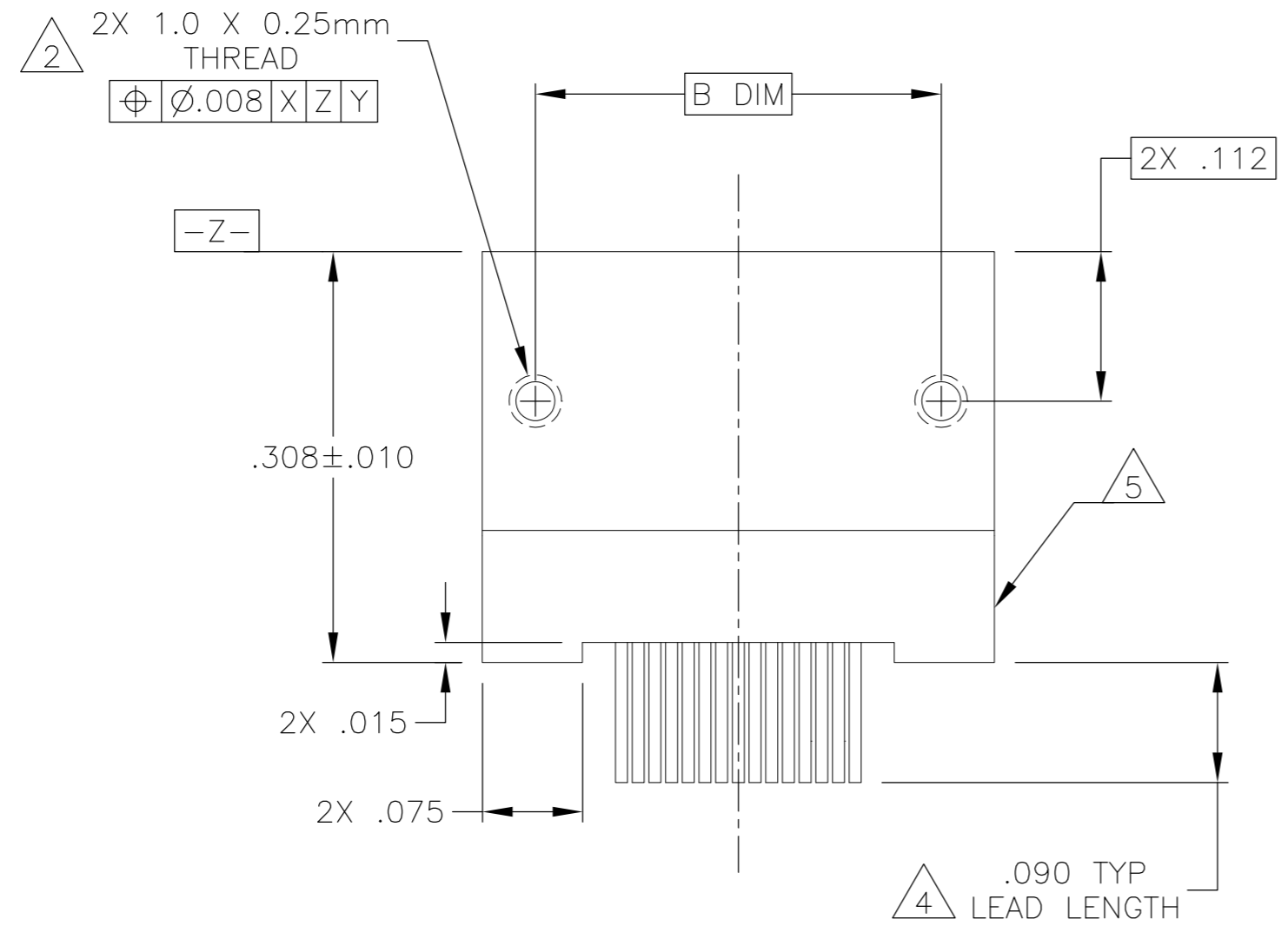


THIS DRAWING IS UNPUBLISHED. RELEASED FOR PUBLICATION  
 © COPYRIGHT - By - ALL RIGHTS RESERVED.

| LOC |     | DIST                     |          | REVISIONS |      |  |  |
|-----|-----|--------------------------|----------|-----------|------|--|--|
| P   | LTR | DESCRIPTION              | DATE     | DWN       | APVD |  |  |
|     | S1  | UPDATE PER ECO-12-021131 | 3 DEC 12 | CAS       | MKS  |  |  |



| SIZE | B DIM | C DIM<br>±.0050 | (L DIM) |
|------|-------|-----------------|---------|
| 09   | .229  | .3085           | (.100)  |
| 15   | .304  | .3835           | (.175)  |
| 25   | .429  | .5085           | (.300)  |
| 37   | .579  | .6585           | (.450)  |
| 51   | .754  | .8335           | (.625)  |
| 65   | .929  | 1.0085          | (.800)  |

- 1. SHELL OPTIONS (TO BE SPECIFIED IN NANONICS PART NUMBER):  
 METAL: 6061-T6 ALUMINUM, ELECTROLESS NICKEL PLATED PER SAE-AMS-C-26074 OR SAE-AMS-2404 (STANDARD) OR GOLD PLATED PER ASTM B488  
 303 STAINLESS STEEL, PASSIVATED PER SAE-AMS-2700  
 INSULATOR MATERIAL FOR ALL METAL SHELLS IS LIQUID CRYSTAL POLYMER (LCP) PER MIL-M-24519 OR PER ASTM D5138  
 PLASTIC: LIQUID CRYSTAL POLYMER (LCP) PER MIL-M-24519 OR PER ASTM D5138
- 2. STANDARD 1.0 X 0.25mm MOUNTING AND JACKSCREW THREADS ARE SHOWN FOR REFERENCE ONLY AND MUST BE SPECIFIED IN THE NANONICS PART NUMBER WHEN REQUIRED. 1.2 X 0.25mm THREADS ALSO AVAILABLE.
- 3. MOUNTING HARDWARE IS AVAILABLE WITH THIS CONFIGURATION (NOT SHOWN). HARDWARE MUST BE SPECIFIED IN THE NANONICS PART NUMBER. CONSULT TYCO ELECTRONICS FOR DETAILS.
- 4. LEAD MATERIAL: HH BRASS, TIN LEAD PLATED 60/40 COMPOSITION PER SAE-AMS-P-81728
- 5. LEAD ORGANIZER MATERIAL IS LIQUID CRYSTAL POLYMER PER ASTM D5138
- 6. THROUGH HOLE LEADS ARE EPOXY ENCAPSULATED WITHIN THE LEAD ORGANIZER
- 7. NANONICS TERMINATION CODE: M5
- 8. THIS DRAWING PREVIOUSLY IDENTIFIED AS NANONICS N10138/252

|  |  |                               |   |           |
|--|--|-------------------------------|---|-----------|
| THIS DRAWING IS A CONTROLLED DOCUMENT. |  | DWN<br>D. RYAN<br>27 JUN 00   |   |           |
| DIMENSIONS:<br>INCHES                  |  | CHK<br>M. STORRY<br>15 AUG 00 |   |           |
| TOLERANCES UNLESS OTHERWISE SPECIFIED: |  | APVD<br>-                     | NAME  |           |
| 0 PLC ± -                              |  | PRODUCT SPEC                  | RECEPTACLE ASSEMBLY, VERTICAL MOUNT,<br>THROUGH HOLE, 2 TO 4 ROW,<br>.050 SPACING, PLASTIC OR METAL |           |
| 1 PLC ± -                              |  | APPLICATION SPEC              | SIZE  | CAGE CODE |
| 2 PLC ± .010                           |  |                               | A2  | OJPN9     |
| 3 PLC ± .005                           |  |                               | DRAWING NO  |           |
| 4 PLC ± -                              |  |                               | C=1589488   |           |
| ANGLES ± 1                             |  | WEIGHT                        | RESTRICTED TO   |           |
| MATERIAL<br>SEE NOTES                  |  | FINISH<br>SEE NOTES           | -   |           |
|  |  | CUSTOMER DRAWING              | SCALE   | SHEET     |
|  |  |                               | 8:1   | 1 of 2    |
|  |  |                               |   | REV S1    |

THIS DRAWING IS UNPUBLISHED. RELEASED FOR PUBLICATION  
 © COPYRIGHT - By - ALL RIGHTS RESERVED.

| LOC | DIST | REVISIONS   |      |     |      |
|-----|------|-------------|------|-----|------|
| P   | LTR  | DESCRIPTION | DATE | DWN | APVD |
| -   | -    | SEE SHEET 1 | -    | -   | -    |



9 POSITION



25 POSITION



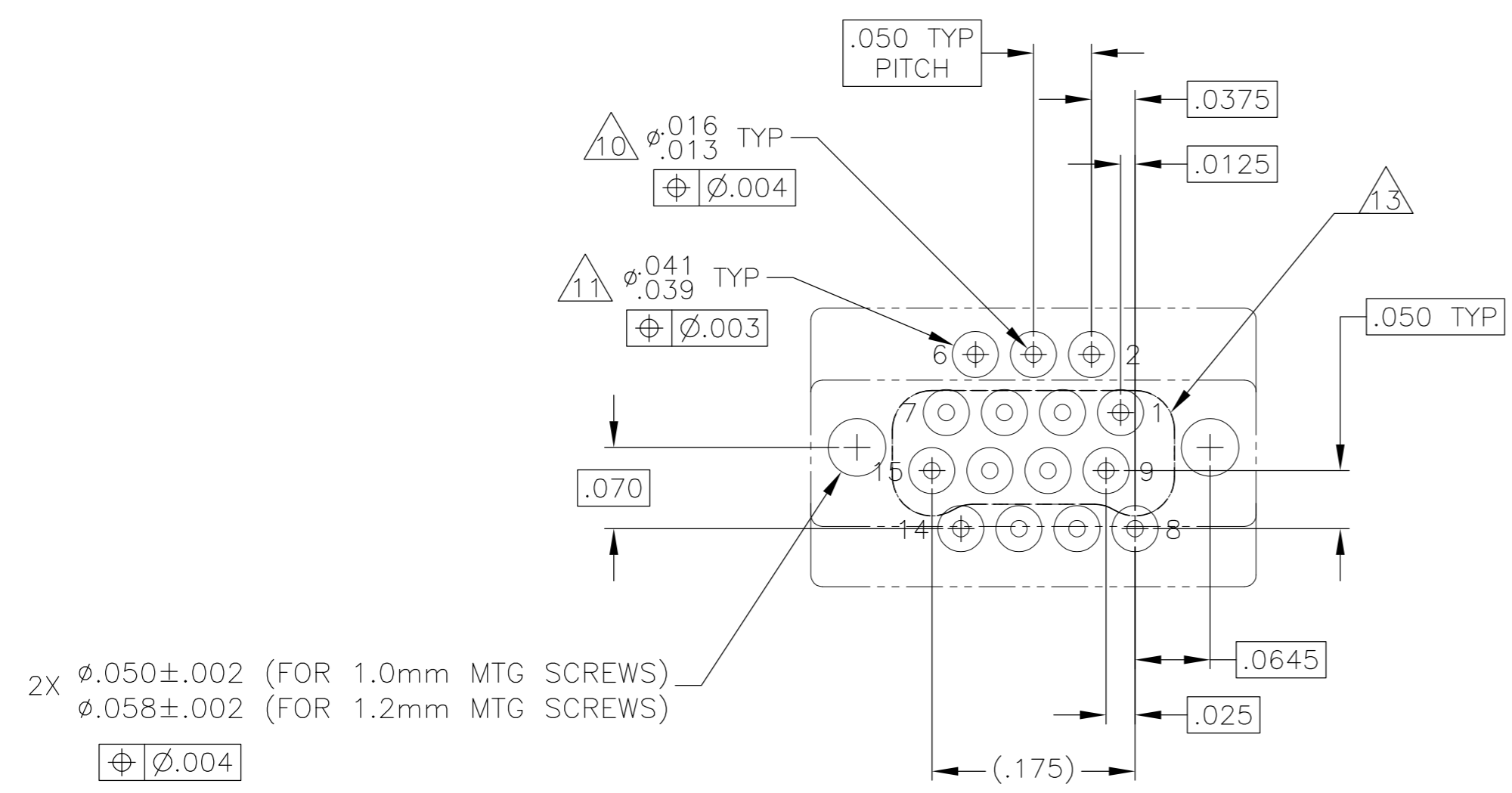
37 POSITION



51 POSITION



65 POSITION



TYPICAL PCB LAYOUT  
SIZE 15 SHOWN FOR REFERENCE



- 9. POSITIONAL TOLERANCES FOR BASIC DIMENSIONED FEATURES ARE RELATIVE TO FIDUCIALS OR SOME SIMILAR DATUM REFERENCES DEFINED BY PCB DESIGNER.
- 10. PLATED THROUGH HOLES
- 11. SOLDER PADS
- 12. ALL THROUGH HOLE LAYOUTS ARE AS VIEWED FROM TOP OF PCB.
- 13. CONNECTOR ORIENTATION

|   |  |                               |   |                    |
|---|--|-------------------------------|---|--------------------|
| THIS DRAWING IS A CONTROLLED DOCUMENT.  |  | DWN<br>D. RYAN<br>27 JUN 00   | TE Connectivity   |                    |
| DIMENSIONS:<br>INCHES   |  | CHK<br>M. STORRY<br>15 AUG 00 | RECEPTACLE ASSEMBLY, VERTICAL MOUNT,<br>THROUGH HOLE, 2 TO 4 ROW,<br>.050 SPACING, PLASTIC OR METAL |                    |
| TOLERANCES UNLESS OTHERWISE SPECIFIED:<br>0 PLC ± -<br>1 PLC ± -<br>2 PLC ± .010<br>3 PLC ± .005<br>4 PLC ± -<br>ANGLES ± 1 |  | APVD<br>-                     | NAME  | RESTRICTED TO      |
| MATERIAL<br>SEE NOTES   |  | FINISH<br>SEE NOTES           | SIZE<br>A2  | CAGE CODE<br>OJPN9 |
|   |  | WEIGHT<br>-                   | DRAWING NO<br>C=1589488   | SCALE<br>8:1       |
|   |  | CUSTOMER DRAWING              | SHEET<br>2 of 2   | REV<br>S1          |

# Mouser Electronics

Authorized Distributor

Click to View Pricing, Inventory, Delivery & Lifecycle Information:

[TE Connectivity:](#)

[STM065M5N](#)