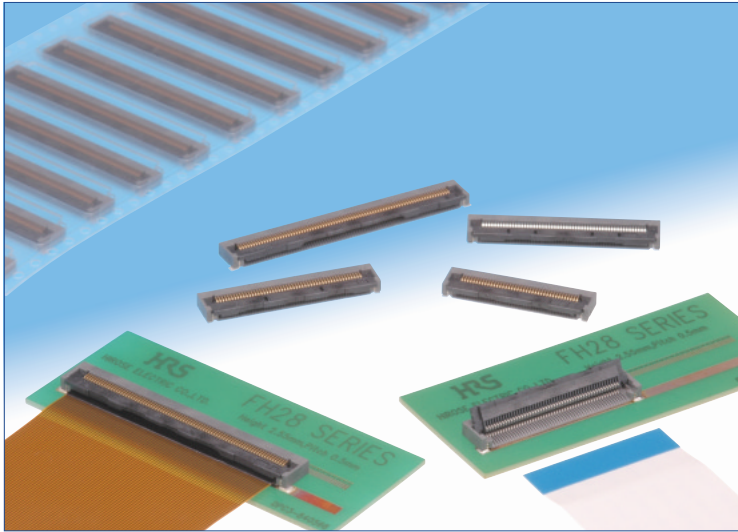
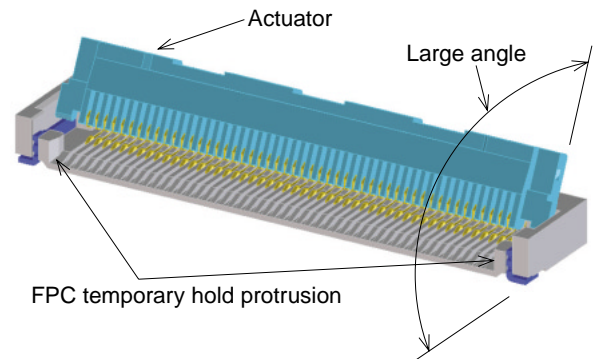


0.5 mm Pitch, 2.55 mm above the board, Flexible Printed Circuit & Flexible Flat Cable ZIF Connectors

FH28 Series



Easy FPC/FFC insertion



Overview

Continuing market trends demand higher contact count connectors while maintaining high electrical/mechanical reliability, exact FPC/FFC positioning and durability.

Features

1. Precise FFC/FPC positioning

Large angle of the actuator opening and built-in side guides in the connector allow straight and exact insertion of the FPC/FFC.

2. Rotating actuator

Proven rotating actuator system allows easy ZIF connection, confirming it with a definite tactile feel. The contact securely holds the actuator in place, providing reliable normal force. The unique contact configuration assures that the connector will remain dimensionally stable over the device's life.

3. Restricted space applications

Space-saving version has lower profile actuator and smaller front-to-back dimensions.

4. Standard FFC / FPC thickness

Reliable connection with the use of readily available 0.3 mm thick FFC/FPC.

5. Available in 40, 50, 55, 60, 64 and 80 contact positions.

Contact HRS for other contact positions.

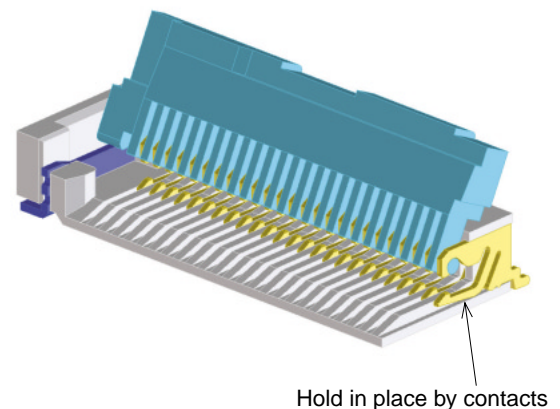
6. Board placement with automatic equipment

Flat top surface and supplied on tape-and-reel the connectors can be easily placed on the PCB.

Applications

LCD, PDP, notebook computers, HDD, video and audio equipment, digital cameras, OA equipment and other devices requiring high reliability ZIF connection of FFC/FPC.

Secure actuator lock and retention



Product Specifications

Rating	Rated current 0.5A DC Rated voltage 50V AC	Operating temperature range -40°C to +85°C (Note 1) Operating humidity range Relative humidity 90% max. (No condensation)	Storage temperature range -10°C to +50°C (Note 2) Storage humidity range Relative humidity 90% max.a
--------	---	---	---

Recommended FPC/FFC	Thickness: = 0.3 ± 0.05mm Tin-lead plated contact traces (Note 3)
---------------------	---

Item	Specification	Conditions
1. Insulation resistance	500 MΩ min	100 V DC
2. Withstanding voltage	No flashover or insulation breakdown.	150 V AC /one minute
3. Contact resistance	50 mΩ max. * Including FPC/FFC conductor resistance	1 mA (DC or 1000Hz)
4. Durability (insertion/ withdrawal)	Contact resistance: 50 mΩ max. No damage, cracks, or parts dislocation.	20 cycles
5. Vibration	No electrical discontinuity of 1μs or more. Contact resistance: 50 mΩ max. No damage, cracks, or parts dislocation.	Frequency: 10 to 55 Hz, single amplitude of 0.75 mm, 2 hours in each of the 3 directions.
6. Shock	No electrical discontinuity of 1μs. min. Contact resistance: 50 mΩ max. No damage, cracks, or parts dislocation.	Acceleration of 981 m/s ² , 6 ms duration, sine half-wave waveform, 3 cycles in each of the 3 axis.
7. Humidity (Steady state)	Contact resistance: 50 mΩ max. Insulation resistance: 50 MΩ min. No damage, cracks, or parts dislocation.	96 hours at temperature of 40°C and humidity of 90% to 95%.
8. Temperature cycle	Contact resistance: 50 mΩ max. Insulation resistance: 50 MΩ min. No damage, cracks, or parts looseness.	Temperature: -40°C → +15°C to +35°C → +85°C → +15°C to +35°C Time: 30 → 2 to 3 → 30 → 2 to 3 (Minutes) 5 cycles
9. Resistance to soldering heat	No deformation of components affecting performance.	Reflow: At the recommended temperature profile Manual soldering: 350°C ± 5°C for 5 seconds

Note 1: Includes temperature rise caused by current flow.

Note 2: The term "storage" refers to products stored for long period of time prior to mounting and use. Operating Temperature Range and Humidity range covers non-conducting condition of installed connectors in storage, shipment or during transportation.

Note 3: When using FPC with gold plated contact traces, the connector contacts must be also gold plated: Select the (05) plating code specification.

Materials / Finish

Part	Material	Finish	Remarks
Insulator	LCP	Color: Gray	UL94V-0
Actuator	LCP	Color: Black	UL94V-0
Contacts	Phosphor bronze	Gold or Tin-lead plated (Note 3)	—
Metal fittings	Phosphor bronze	Tin plated (Lead free)	—

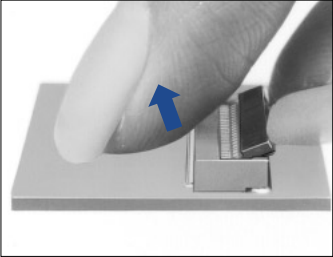
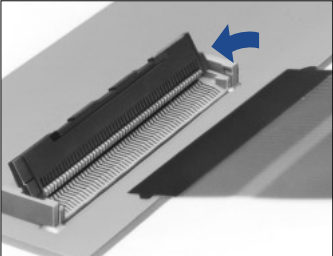
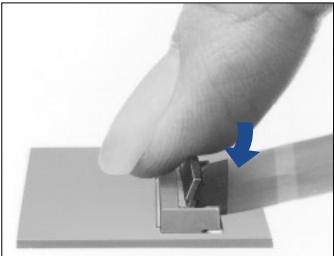
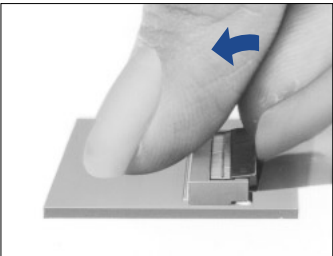
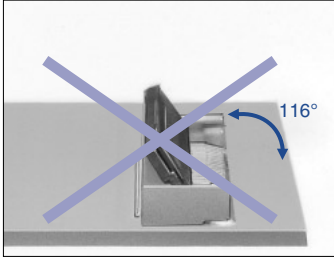
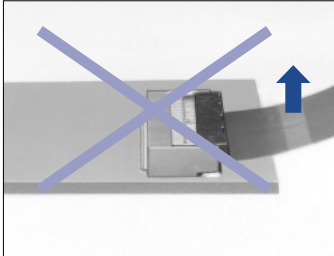
Ordering information

FH28 H - 50S - 0.5 SH (51)

① ② ③ ④ ⑤ ⑥

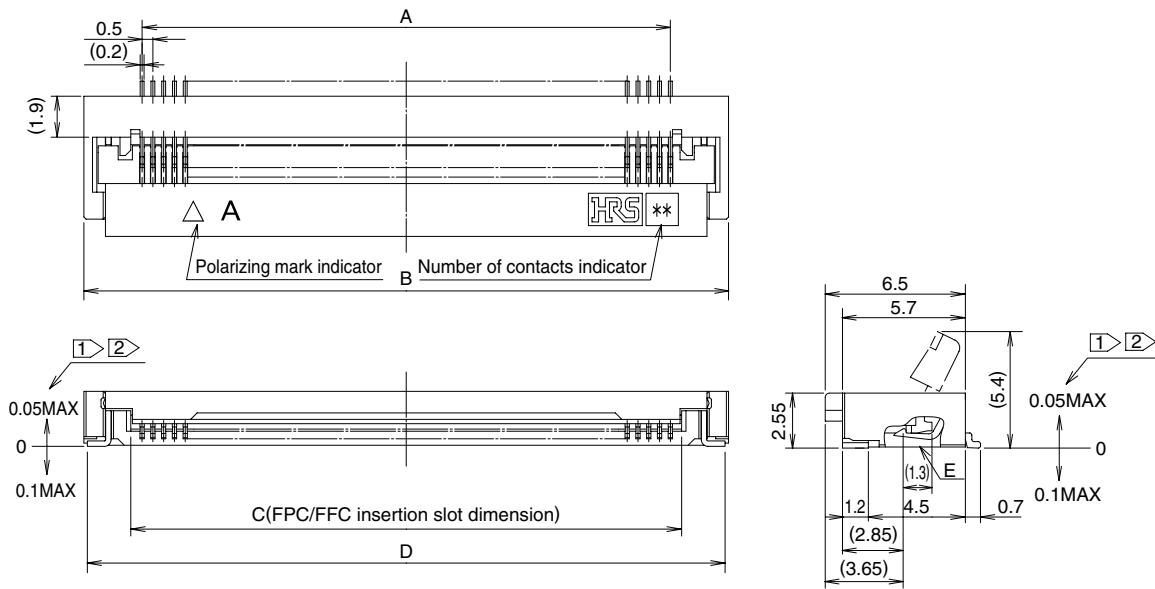
① Series name	: FH28	④ Contact pitch	: 0.5 mm
② Blank	: Standard	⑤ Terminal type	SH : SMT horizontal mounting
H	: Space saving type		
③ No. of contacts	: 40, 50, 55, 60, 64, 80	⑥ Plating code specifications	(05): Gold (51): Tin-lead

◆ Operation and Precautions

Operation	Precautions
<p>1.FPC/FFC insertion procedure. Connector installed on the board.</p> <p>① Lift up the actuator. Use thumb or index finger</p>  <p>② Fully insert the FPC/FFC in the connector parallel to mounting surface, with the exposed conductive traces facing down.</p>  <p>③ Rotate down the actuator until firmly closed. It is critical that the inserted FPC/FFC is not moved and remains fully inserted.</p>  <p>2. FPC/FFC removal</p> <p>① Fully open the actuator. Carefully withdraw the FPC/FFC exercising caution not to deform or damage it.</p> 	<p>① Do not force the actuator to open beyond its fully open position. Do not use any type of tool to open the actuator.</p>  <p>② Do not forcefully bend the FFC/FPC upward. Consult FFC/FPC manufacturer for the recommended bend radiuses.</p> 

Connector Dimensions

Standard type



Notes

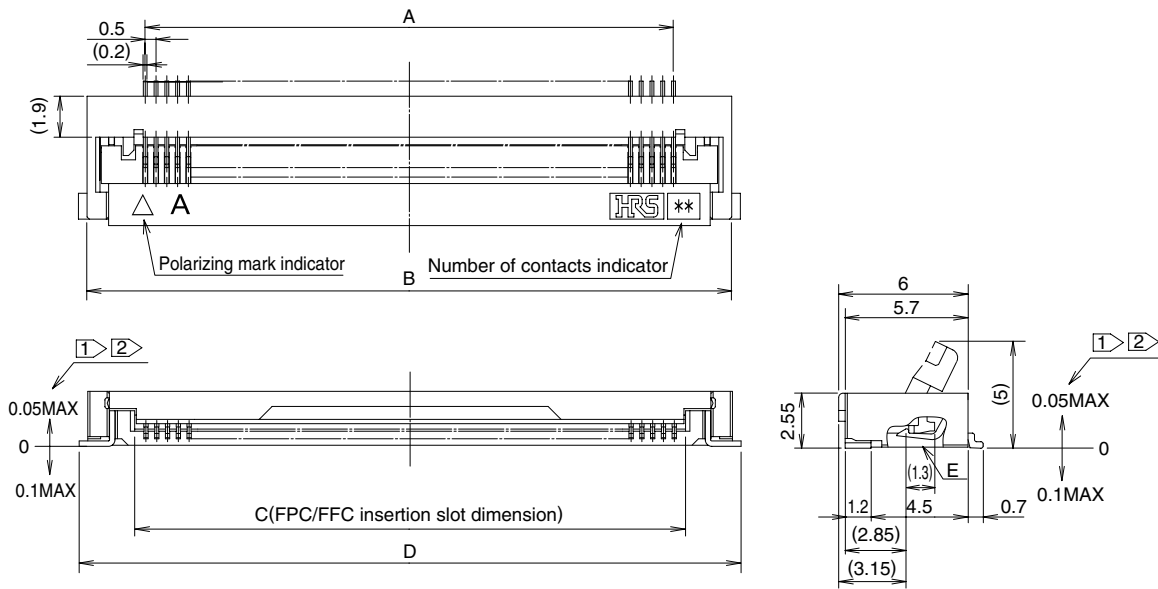
- ① The coplanarity of each terminal lead is within 0.1.
- ② The contact terminal lead position indicates the dimension from the E surface, the bottom surface of the insulator body.
- 3 Slight variations in color of the plastic compounds do not affect form, fit or function of the connector.

Unit: mm

Part Number	CL No.	Number of contacts	A	B	C	D
FH28-40S-0.5SH(51)	586-1803-8-51	40	19.5	24.9	20.57	24.58
FH28-50S-0.5SH(51)	586-1801-2-51	50	24.5	29.9	25.57	29.58
FH28-55S-0.5SH(51)	586-1800-0-51	55	27.0	32.4	28.07	32.08
FH28-60S-0.5SH(51)	586-1811-6-51	60	29.5	34.9	30.57	34.58
FH28-64S-0.5SH(51)	Reserved for product expansion	64	31.5	36.9	32.57	36.58

Tape and reel packaging (2,000 pieces/reel).
 Order by number of reels.

Space saving type



Notes

- ① The coplanarity of each terminal lead is within 0.1.
- ② The contact terminal lead position indicates the dimension from the E surface, the bottom surface of the insulator body.
- ③ Slight variations in color of the plastic compounds do not affect form, fit or function of the connector.

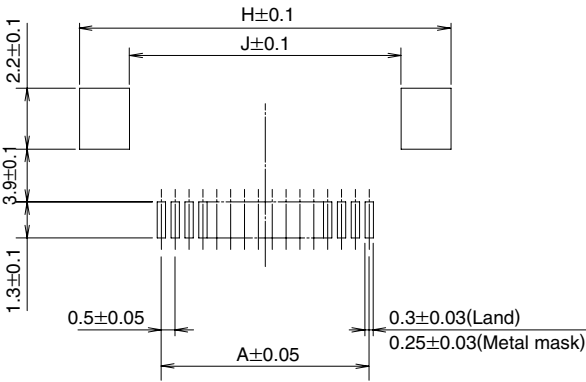
Unit: mm

Part Number	CL No.	Number of contacts	A	B	C	D
FH28H-80S-0.5SH(51)	586-1805-3-51	80	39.5	44.9	40.57	45.7

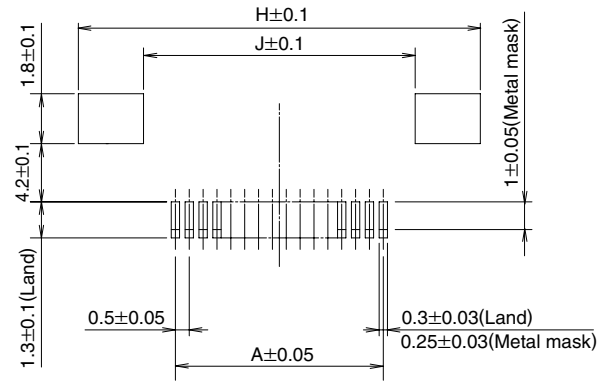
Tape and reel packaging (2,000 pieces/reel).
 Order by number of reels.

◆ Recommended PCB mounting pattern and metal mask dimensions

Recommended metal mask thickness: 0.15 mm.

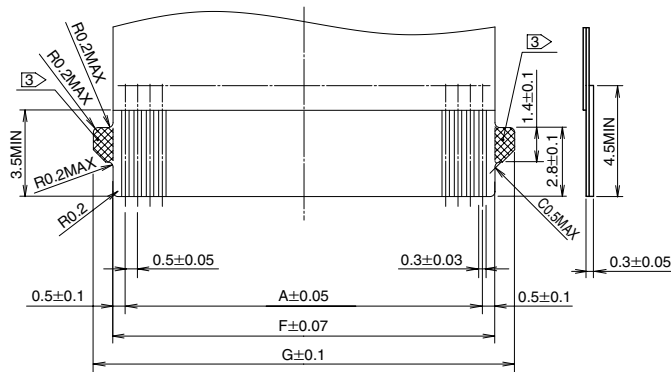


Standard type



Space saving type

◆ Recommended FPC/FFC dimensions



③ FFC does not have the side-protruding tabs (cross-hatched areas).

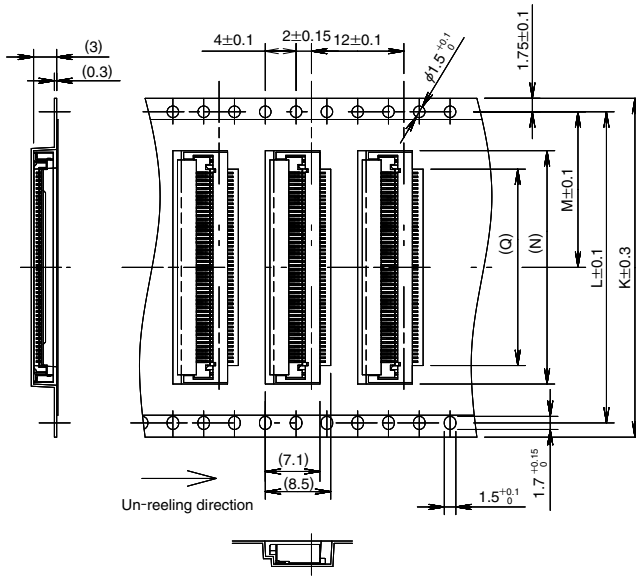
Note: Polyimide and thermally hardening adhesive is recommended as the materials for stiffener.

Unit: mm

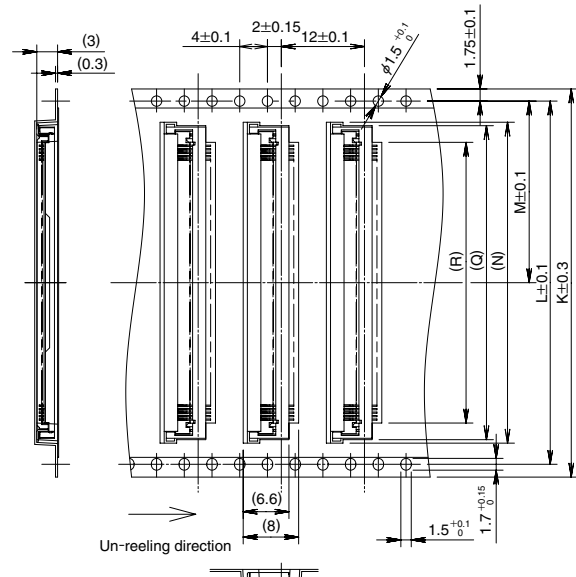
Part Number	CL No.	Number of contacts	A	F	G	H	J
FH28-40S-0.5SH(51)	586-1803-8-51	40	19.5	20.5	22.1	25.6	22.0
FH28-50S-0.5SH(51)	586-1801-2-51	50	24.5	25.5	27.1	30.6	27.0
FH28-55S-0.5SH(51)	586-1800-0-51	55	27.0	28.0	29.6	33.1	29.5
FH28-60S-0.5SH(51)	Reserved for product expansion	60	29.5	30.5	32.1	35.6	32.0
FH28-64S-0.5SH(51)	586-1811-6-51	64	31.5	32.5	34.1	37.6	34.0
FH28H-80S-0.5SH(51)	586-1805-3-51	80	39.5	40.5	42.1	46.7	42.0

◆ Packaging specification

● Embossed carrier tape dimensions

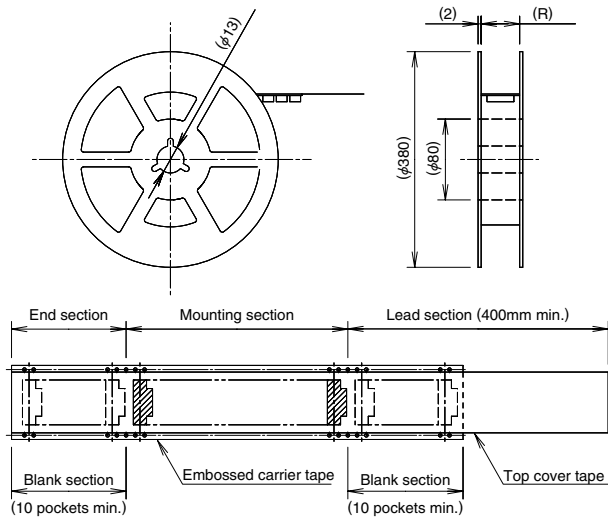


Standard

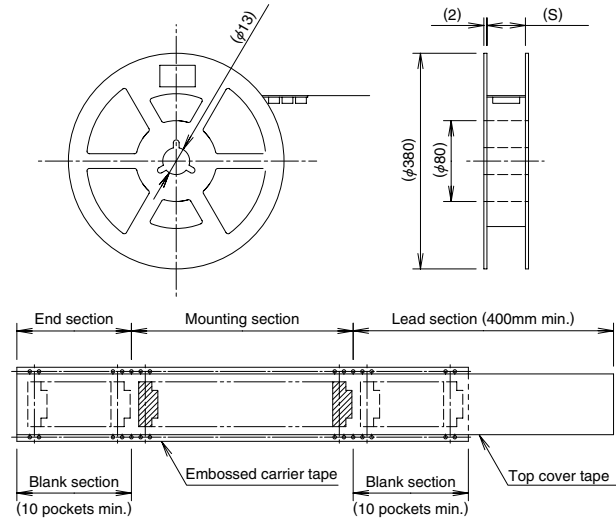


Space saving type

● Reel Dimensions



Standard



Space saving type

Unit: mm

Part Number	CL No.	Number of contacts	K	L	M	N	Q	R
FH28-40S-0.5SH(51)	586-1803-8-51	40	44	40.4	20.2	25.3	20.5	44.5
FH28-50S-0.5SH(51)	586-1801-2-51	50	44	40.4	20.2	30.3	25.5	44.5
FH28-55S-0.5SH(51)	586-1800-0-51	55	44	40.4	20.2	32.8	28.0	44.5
FH28-60S-0.5SH(51)	586-1811-6-51	60	56	52.4	26.2	35.3	30.5	56.5
FH28-64S-0.5SH(51)	Reserved for product expansion	64	56	52.4	26.2	37.3	32.5	56.5

2,000 pieces per reel.

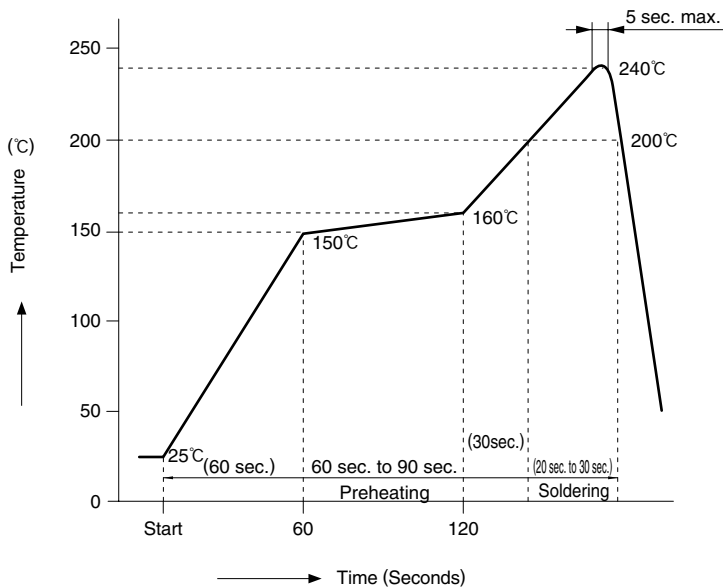
Unit: mm

Part Number	CL No.	Number of contacts	K	L	M	N	Q	R	S
FH28H-80S-0.5SH(51)	586-1805-3-51	80	56	52.4	26.2	46.3	45.3	40.5	56.5

2,000 pieces per reel.

◆ Recommended Temperature Profile

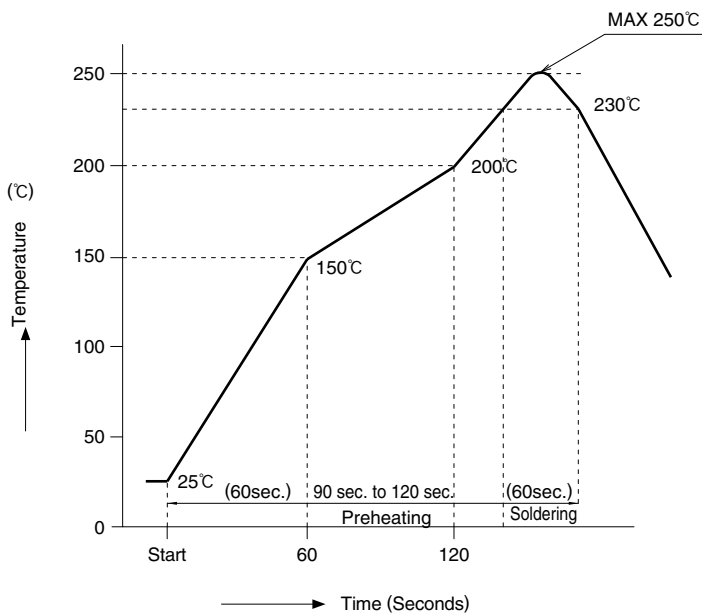
● Using Typical Solder Paste



HRS test conditions

Solder method	:Reflow, IR
Solder composition	:Paste, 63%Sn/37%Pb (Flux content 11wt%)
Test board	:Glass epoxy 45mm×100mm×1.6mm thick
Metal mask	:0.15mm thick

● Using Lead-free Solder paste



HRS test condition

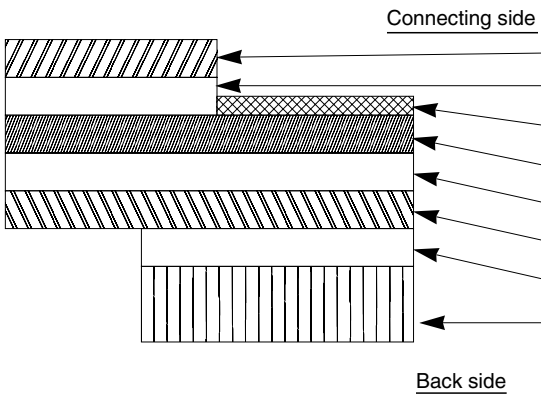
Solder method	:Reflow, IR
Solder composition	:Paste, 96.5%Sn/3.0%Ag/0.5%Cu (Flux content 11wt%)
Test board	:Glass epoxy 45mm×100mm×1.6mm thick
Metal mask	:0.15mm thick

The temperature profiles are based on the above conditions.

In individual applications the actual temperature may vary, depending on solder paste type, volume/thickness and board size/thickness. Consult your solder paste and equipment manufacturer for specific recommendations.

◆FH28 Series FPC Construction (Recommended Specifications)

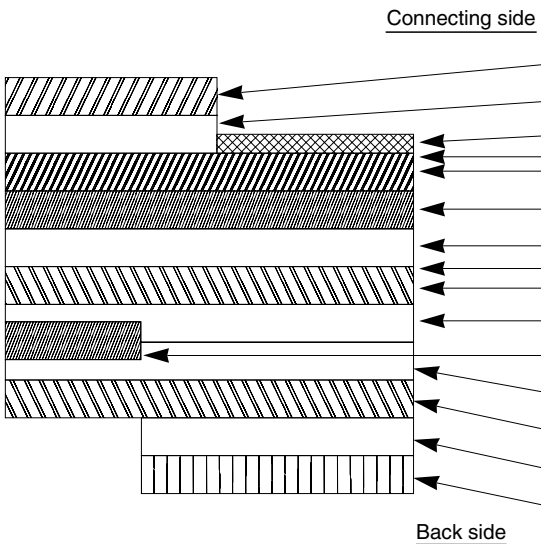
1. Using Single-sided FPC



FPC : Flexible Printed Circuit

Material Name	Material	Thickness (μm)
Covering film layer.	Polyamide 1 mil thick.	25
Cover adhesive		25
Surface treatment	Tin-lead plated	5
Copper foil	Cu 1oz	35
Base adhesive		25
Base film	Polyamide 1 mil thick	25
Reinforcement material adhesive	Thermosetting adhesive	30
Stiffener	Polyamide 3 mil thick	175
Total		295

2. Using Double-sided FPC

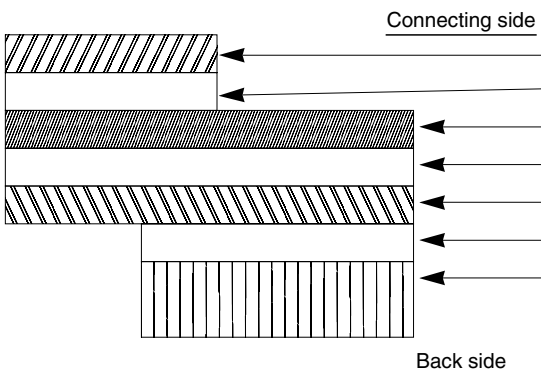


FPC : Flexible Printed Circuit

Material Name	Material	Thickness (μm)
Covering layer film	Polyamide 1 mil thick	
Cover adhesive		
Surface treatment	Tin-lead plated	5
Through-hole copper	Cu	15
Copper foil	Cu 1/2oz	18
Base adhesive		18
Base film	Polyamide 1 mil thick	25
Base adhesive		18
Copper foil	Cu 1/2oz	18
Cover adhesive		25
Covering layer film	Polyamide 1 mil thick	25
Reinforcement material adhesive	Thermosetting adhesive	50
Stiffener	Polyamide 1 mil thick	100
Total		299

* To prevent release of the lock due to FPC bending, use of the FPC with copper foil on the back side is NOT RECOMMENDED.

3. Using FFC



FFC : Flexible Flat Cable

Material Name	Material	Thickness (μm)
Polyester film		12
Adhesive	Thermoplastic polyester	30
Tin plated annealed copper foil		35
Adhesive	Polyester	30
Polyester		12
Adhesive	Polyester	30
Stiffener	Polyester	188
Total		295

Note: Recommended FPC thickness specification: 0.2 ± 0.03 mm