



## STX-3120 Series

### 3.5mm Audio Jack All Plastic PCB Mount

#### Features



- Audio Applications for Computers and Multimedia
- Can Be Used To Activate Speakers, an Equalizer or to Configure the Audio Signal
- Available with One Double-Pole Single-Throw Switch
- CSA/NRTL Certified File No. LR78160

#### Performance Specifications

#### Materials and Finish

##### Housing

PBT Thermoplastic, UL94V-0 Rated, Black Color  
(Other Colors Available)

##### Terminals

Tin Plating

#### Mechanical Characteristics

##### Insertion Force

0.4kg - 3.0kg

##### Extraction Force

0.3kg - 3.0kg

##### Durability

5000 Mating Cycles

#### Electrical Characteristics

##### Contact Resistance

##### Before Durability Test

50 milliohms Max.

##### After Durability Test

100 milliohms Max.

##### Insulation Resistance

100 Megohms Min. at 500V DC

##### Dielectric Strength

500V AC RMS for 1 Minute

##### Operating Temperature

-25°C to +85°C

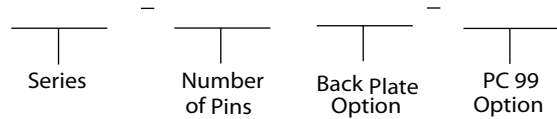
## AUDIO JACKS

### STX-3120 Series

#### Documentation & Ordering Information


Kycon Part #

#### Part Number Builder



##### Series

STX-3120 - 3.5mm Audio Jack

##### Number of Pins

3 Pin

5 Pin

##### Back Plate Option

B - With Back Plate

##### PC99 Color Option

Blank - Black ( Standard )

157C - Orange

284C - Blue

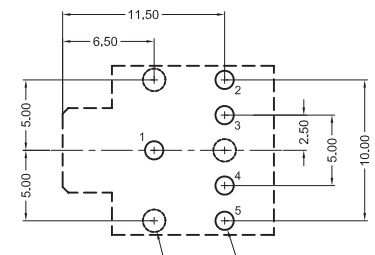
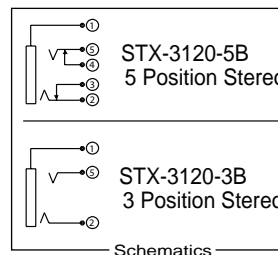
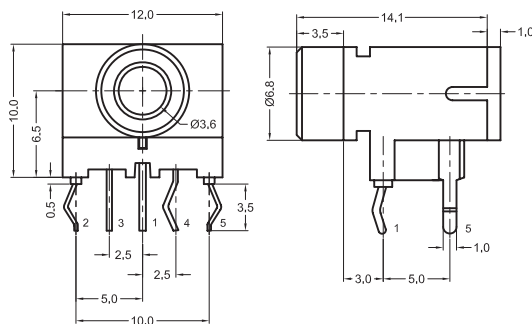
577C - Lime

701C - Pink

Contact Kycon for High Temp, Mono version and other options

#### STX-3120 Series Dimensions

Dimensions in mm



# Mouser Electronics

Authorized Distributor

Click to View Pricing, Inventory, Delivery & Lifecycle Information:

[Kycon:](#)

[STX-3120-3B-284C](#)