

PTS645 Series

6.0 x 6.0 mm Tactile Switches



Specifications

Function	Momentary action
Contact Arrangement	SPST, N.O.
Terminals	PC pins

Electrical Characteristics

Contact Rating	Max. 50mA@12VDC Min. 10 μ A@1VDC
Dielectric Strength	250 V AC min.
Contact Resistance	100 m Ω max. initial
Insulation Resistance	10 ¹¹ Ω min.

Environmental Characteristics

Operating Temperature	-40°C to 85°C
Storage Temperature	

Notes:

Specifications listed above are for switches with standard options. For information on specific and custom switches, consult Customer Service Center.

The PTS series is not certified for using in Automotive application and no PPAP. However, in the case of some automotive accessories and specific applications for 2 and 3 wheeled vehicles the PTS is widely used and very suitable. Please contact your local C&K representative to discuss your application and the best switch solution.

Description

The PTS645 switch series are 6mm tactile switches, designed to provide those designing for consumer product, instrumentation and computing equipment applications the long-lasting, responsive switch they need. PTS645 switches are compact (6 x 6mm) and are available in a variety of actuator lengths, with a choice of actuation force, allowing you to customize the switch to your product's needs.

Features & Benefits

- Compact size 6 x 6 mm
- Variety of actuator lengths
- Choice of actuation force
- RoHS compliant and compatible

Applications

- Consumer products
- Instrumentation
- Computer products
- Industrial

Process

Soldering	Test 2 times Max. Reflow soldering conditions (Reference standard: J-STD-020) Preheat—150°C-200°C, 60-120 (sec) Peak temperature—260°C Max. 10 (sec) Soldering area temperature—217°C, 60-150 (sec)
------------------	---

PTS645 Series

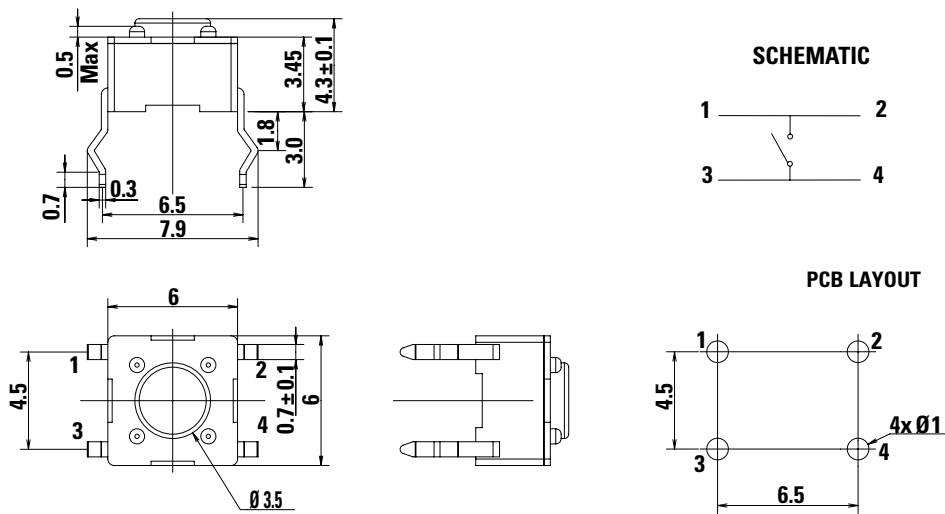
6.0 x 6.0 mm Tactile Switches



Mechanical Characteristics

Part	Operating Force (Newtons)	Operating Life (operations)	Electrical Travel (mm)
PTS645SL95SMTR92 LFS	1.3 +/-0.3	100,000	0.25 +0.1/-0.15
PTS645SM43SMTR92 LFS	1.6 +/-0.3	100,000	0.30 +0.1/-0.15
PTS645SH43SMTR92 LFS	2.0 +/-0.5	100,000	0.30 +0.1/-0.15
PTS645SK43SMTR92 LFS	2.6 +/-0.5	100,000	0.30 +0.1/-0.15

Termination (mm) S Straight

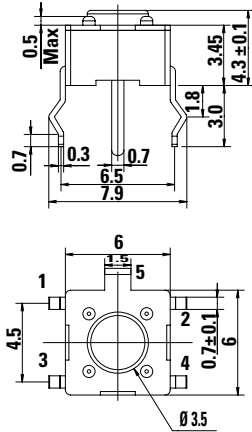


PTS645 Series

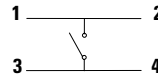
6.0 x 6.0 mm Tactile Switches



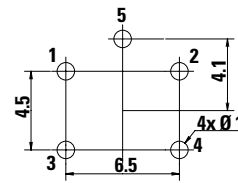
T Straight with ESD pin



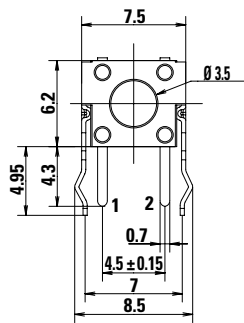
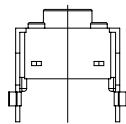
SCHEMATIC



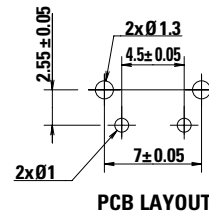
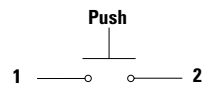
PCB LAYOUT



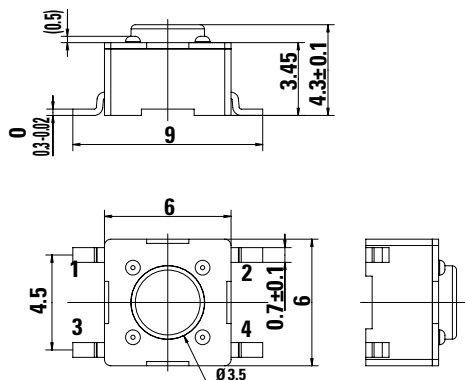
V Vertical THT



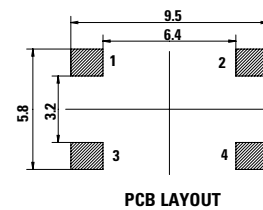
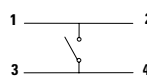
SCHEMATIC



SMT G Type



SCHEMATIC

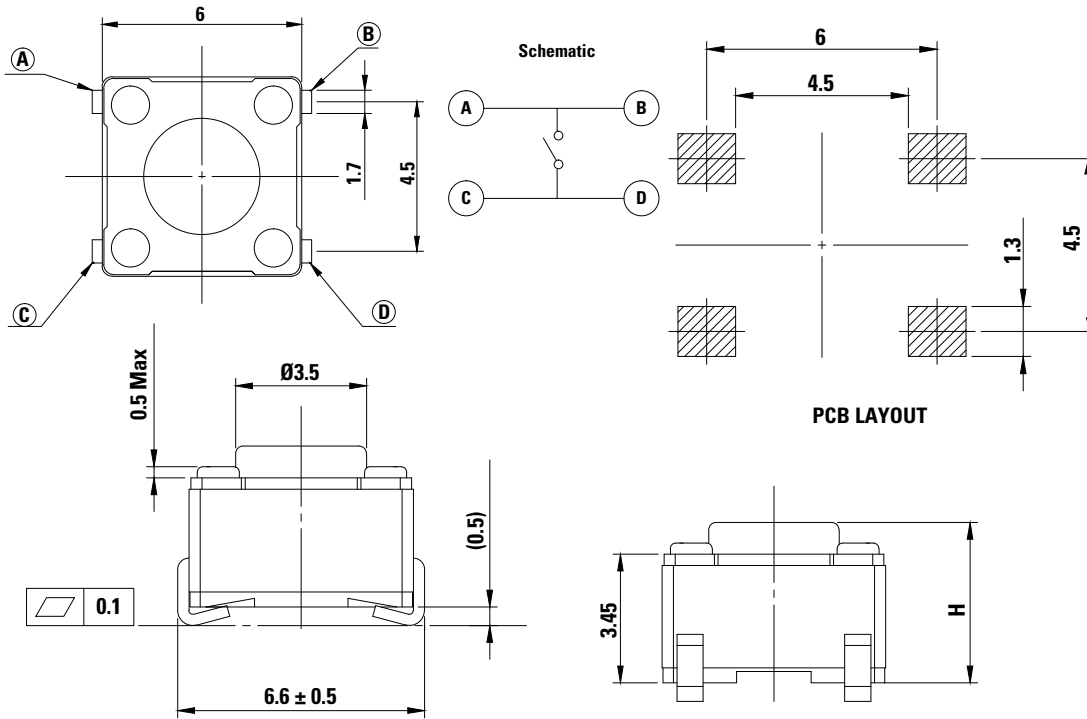


PTS645 Series

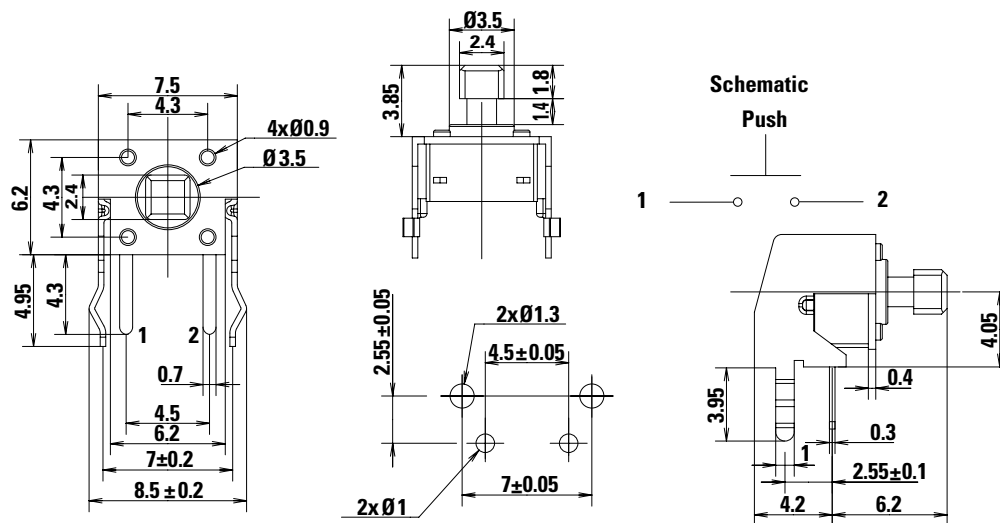
6.0 x 6.0 mm Tactile Switches



SMT J Type



Actuator Shape J Square Actuator Vertical THT - for 6.15mm length only



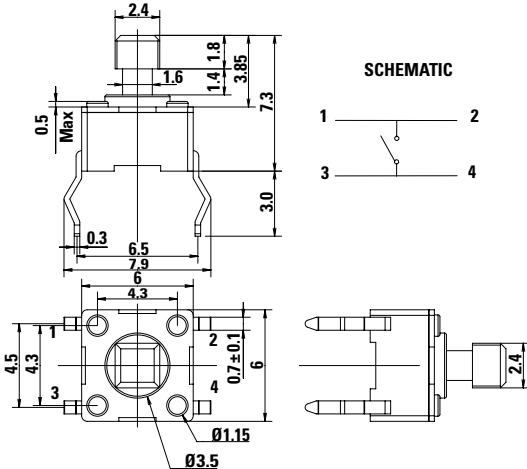
Recommended PCB Layout

PTS645 Series

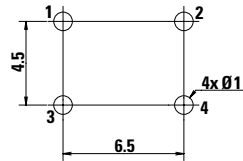
6.0 x 6.0 mm Tactile Switches



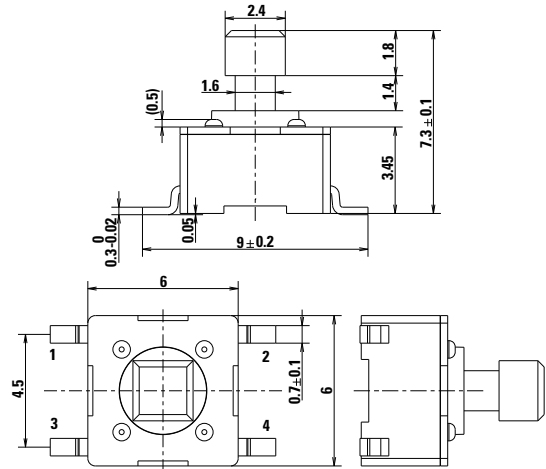
Straight THT - for 7.3mm height only



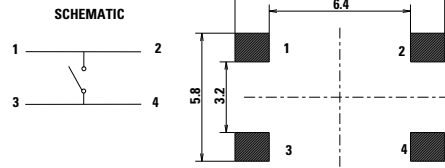
RECOMMENDED PCB LAYOUT



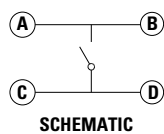
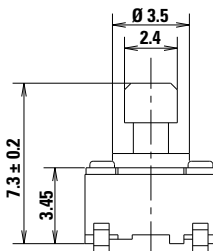
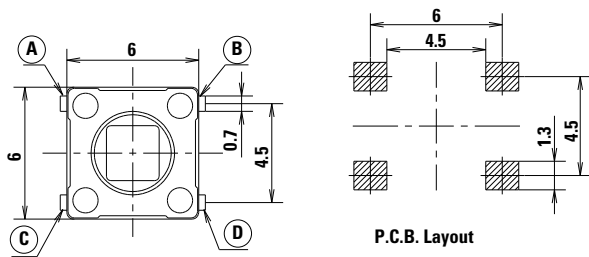
Straight SMT G Type - for 7.3mm height only



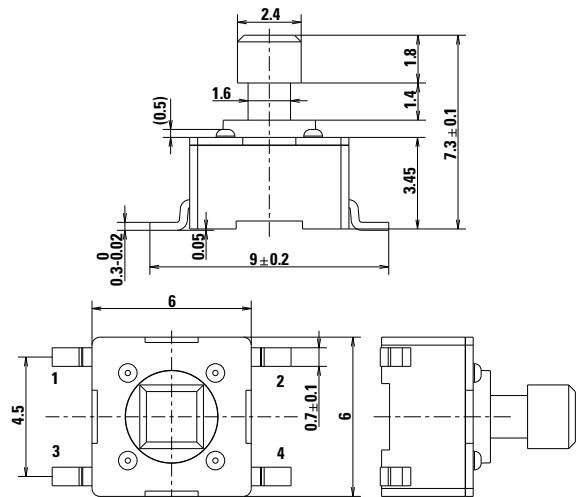
RECOMMENDED PCB LAYOUT



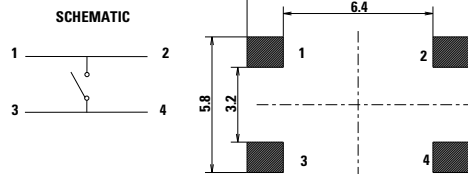
Straight SMT J Type - for 7.3mm height only



Straight SMT - for 7.3mm height only



RECOMMENDED PCB LAYOUT

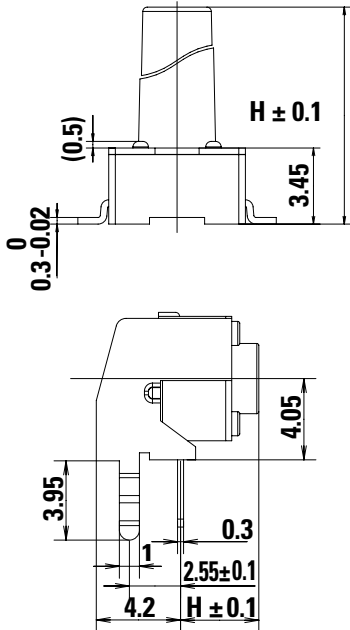


PTS645 Series

6.0 x 6.0 mm Tactile Switches



Actuator Height



Switch height from PCB for S and T only

Option Code	Dimension H	Termination	Schematic	
			Without EMC pin	With EMC pin
43	4.3 (0.169)	Thru-hole and SMT		
50	5.0 (0.197)			
70	7.0 (0.275)			
95	9.5 (0.374)	SMT		
13	13.0 (0.512)			

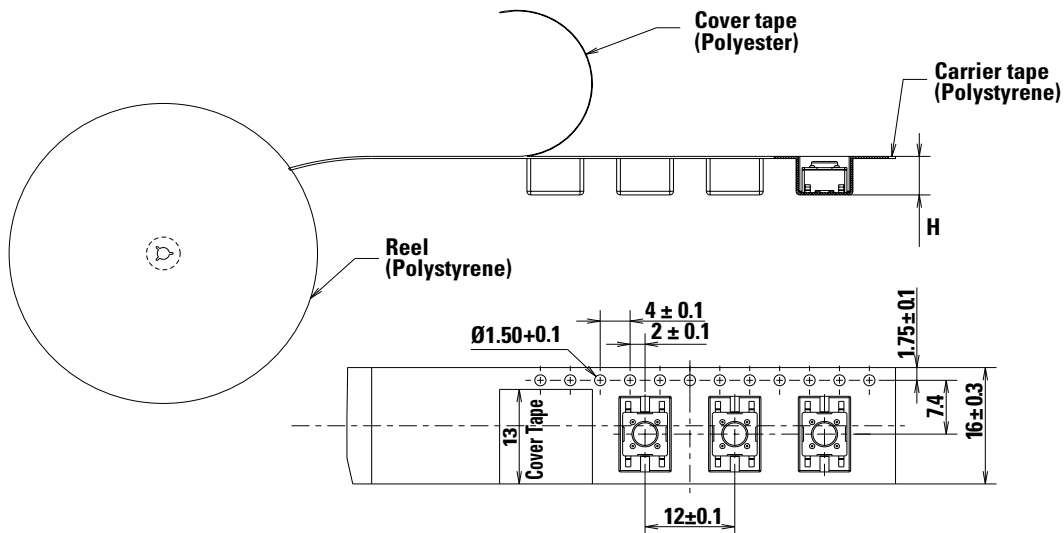
Switch length from front leads for V only

Option Code	Dimension H	Termination	Schematic	
			Without EMC pin	With EMC pin
31	3.15 (0.124)	Vertical	N/A	
39	3.85 (0.151)			
58	5.85 (0.230)			
83	8.35 (0.329)			

Tape Dimension

Option Code	Width Tape	Pocket Height
43	16 ± 0.3	5.3
50		7.3
73		7.6
95	24 ± 0.3	10.3
13		13.3

Tape & Reel for SMT G type Versions

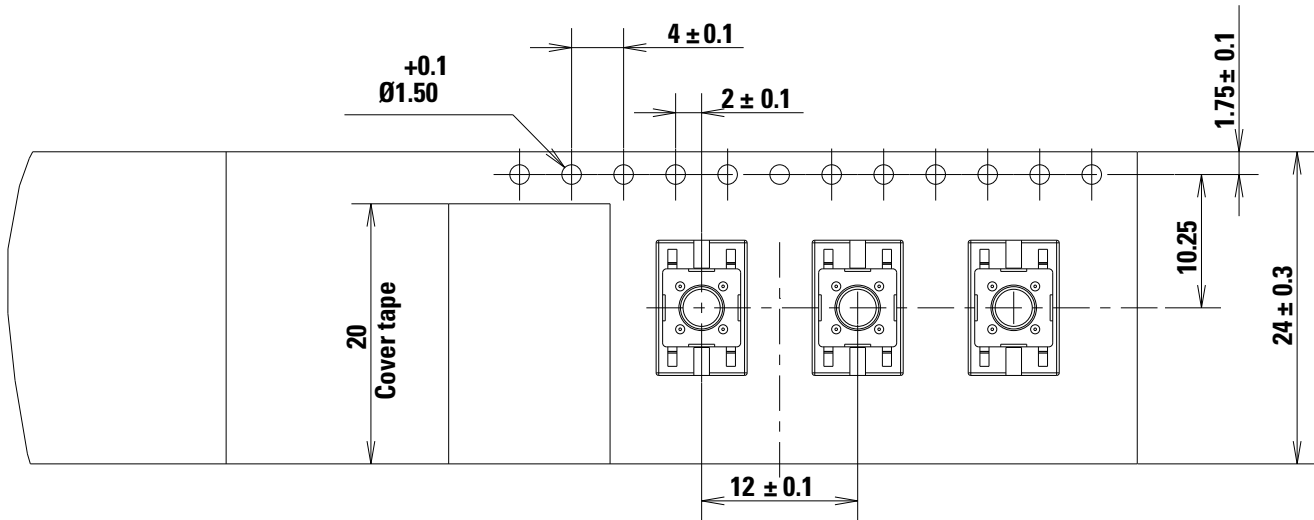


PTS645 Series

6.0 x 6.0 mm Tactile Switches

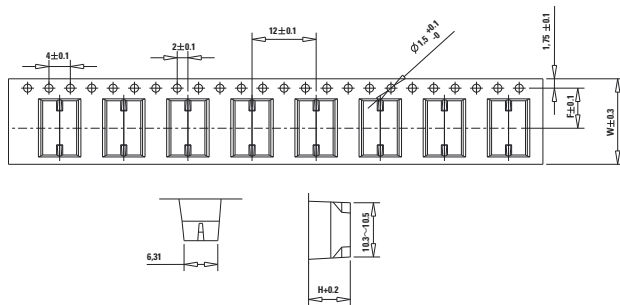


Packaging



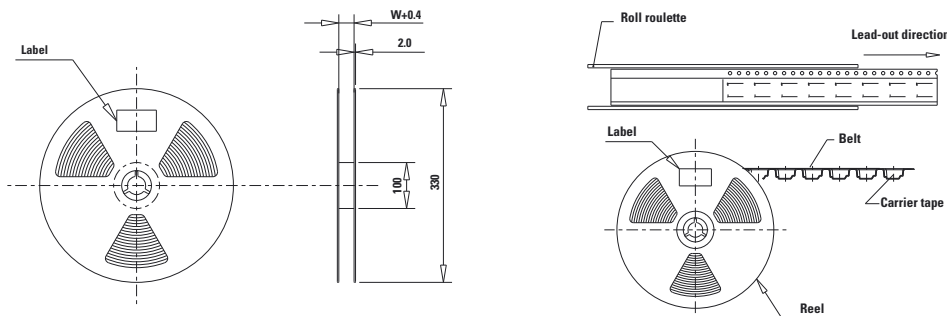
Note:
 Bulk Packaging
 Tape & reel for the SMT type:
 Reels of 1,000 pieces for 4.3 and 5.0 mm height.
 Reels of 700 pieces for 7.0 mm height.
 Reels of 700 pieces for 7.3 mm height.
 Reels of 500 pieces for 9.5 mm height.
 Reels of 400 pieces for 13.0 mm height.

Tape & Reel for SMT J type Versions



Product Height	Carrier Width Tape (W) mm	Center Distance of Carrier Tape (F) mm	pcs/reel
4.3	16	7.5	1000
5.0			
7.0			
7.3			
9.5	24	11.5	500
11			
13			

Note:
 The disc rotates counterclockwise. According to the packing shown in the figure, the braid must not be twisted to prevent product deformation.



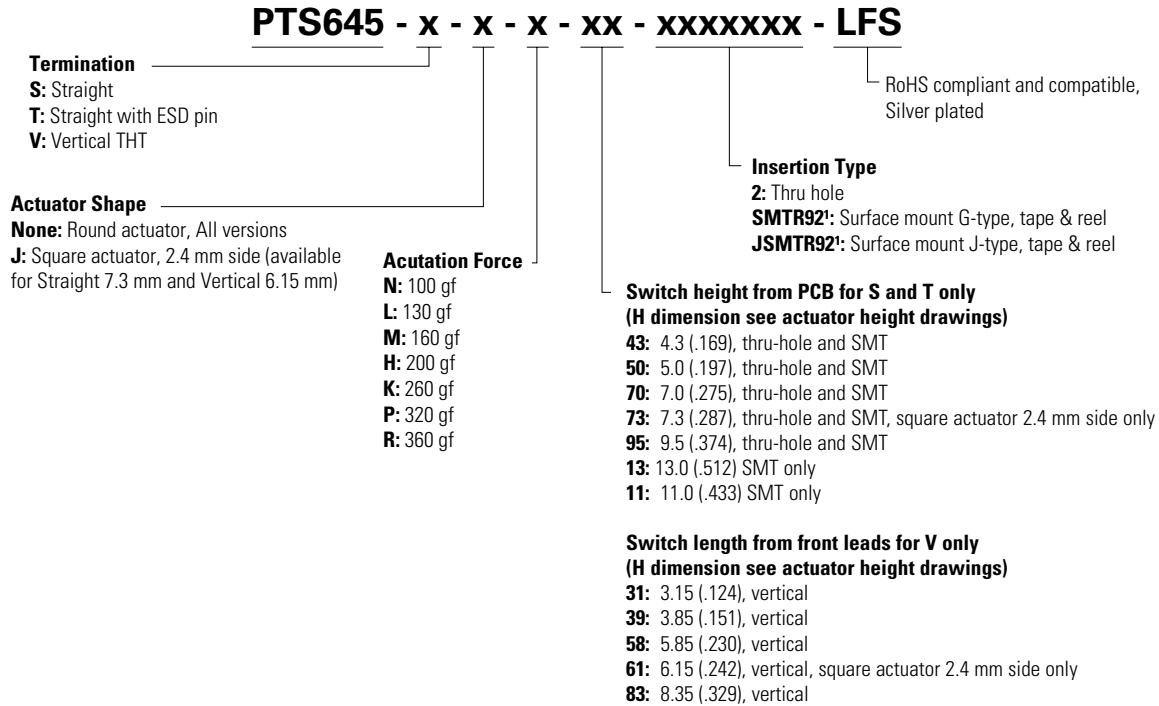
PTS645 Series

6.0 x 6.0 mm Tactile Switches



Ordering Number

Our easy build-a-switch concept allows you to mix and match options to create the switch you need. To order, select desired option from each category and place it in the appropriate box.



Notes:

1. Only the straight type termination without ESD pin is available in SMT type
 Long life version has to be created case by case as special part number

Liability Limitation

This datasheet does not provide enough information for applications that require a certain level of quality or safety such as automotive, medical systems, or safety equipment. Please contact customer service for the contractual specification package.

Disclaimer Notice - Information furnished is believed to be accurate and reliable. However, users should independently evaluate the suitability of and test each product selected for their own applications. Littelfuse products are not designed for, and may not be used in, all applications. Read complete Disclaimer Notice at <http://www.littelfuse.com/disclaimer-electronics>.