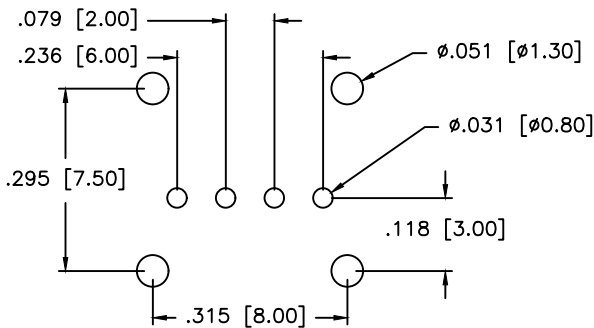
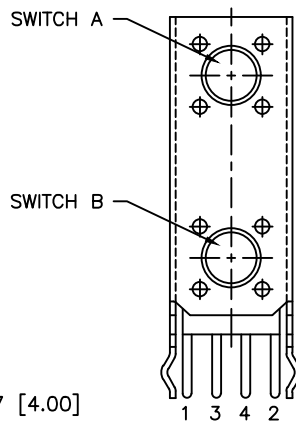


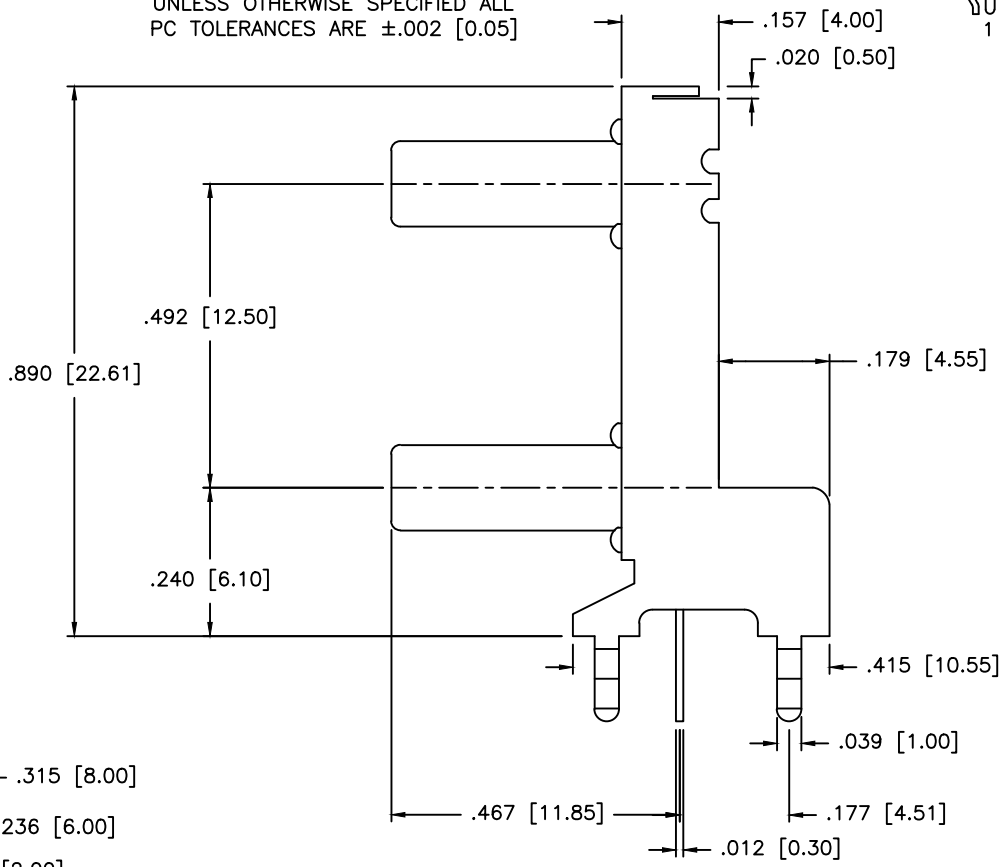
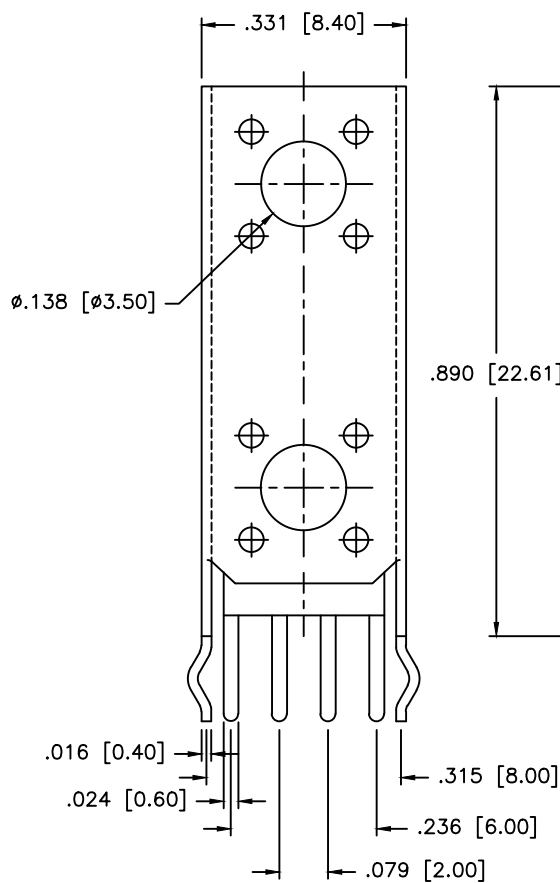
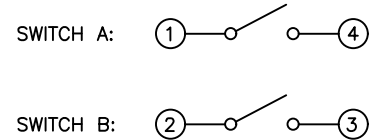
THIS DOCUMENT IS THE PROPERTY OF APEM COMPONENTS AND SHALL NOT BE COPIED, REPRODUCED, DISCLOSED OR USED AS THE BASIS FOR MANUFACTURING OR SALE WITHOUT PERMISSION OF A DULY AUTHORIZED REPRESENTATIVE OF APEM COMPONENTS INC.



PCB LAYOUT  
UNLESS OTHERWISE SPECIFIED ALL  
PC TOLERANCES ARE  $\pm 0.002 [0.05]$



DATE	SYM	REVISION RECORD	DWN.	CK.
1/19/17	B	-		



DESCRIPTION: RIGHT ANGLE, THRU HOLE, TACT SWITCH  
 SPECIFICATIONS:  
 OPERATING FORCE:  $160 \pm 50$ gf.  
 TRAVEL:  $0.25\text{mm} \pm 0.2\text{mm}$   
 OPERATING LIFE: 100,000 CYCLES  
 OPERATION TEMPERATURE RANGE:  $-20^{\circ}\text{C}$  TO  $+70^{\circ}\text{C}$ .  
 STORAGE TEMPERATURE RANGE:  $-30^{\circ}\text{C}$  TO  $+80^{\circ}\text{C}$   
 VIBRATION TEST: PASSES METHOD 201 MIL-STD-202.  
 SHOCK TEST: 30G PER METHOD 213, MIL-STD-202.  
 RATING: 50mA AT 12VDC.  
 CONTACT RESISTANCE: 100m $\Omega$  MAX.  
 INSULATION RESISTANCE: 100M $\Omega$  MIN.  
 DIELECTRIC STRENGTH: 250VAC FOR 1 MINUTE  
 CONTACT ARRANGEMENT: 1 POLE 1 THROW.  
 MATERIALS:  
 COVER / BRACKET: PET FILM, TIN PLATED BRASS, OR STAINLESS STEEL  
 CASE: NYLON 66 THERMOPLASTIC COLOR, BLACK  
 ACTUATOR: NYLON 66 THERMOPLASTIC COLOR, BLACK  
 TERMINAL: BRASS WITH SILVER PLATING  
 SOLDERING:  
 HAND SOLDERING: 40 WATT IRON AT  $320^{\circ}\text{C}$  FOR 3.5 SEC.  
 IR REFLOW SOLDERING:  $240^{\circ}\text{C}$  MAX. FOR 20 SEC.  
 WAVE SOLDERING:  $255^{\circ}\text{C}$  MAX. FOR 5 SEC.  
 LEAD FREE PROCESS COMPATIBLE  
 RoHS COMPLIANT

Q.A. INSPECT. 	83 Neck Rd. Haverhill, MA 01835 Tel: 978-372-1602 Fax: 978-372-3534			DRN: BY: CJD
DESIGNATES CRITICAL DIMENSION	SHEET 1 OF 1	SIZE B	SCALE	CHK. BY: PJD
TOLERANCES (EXCEPT AS NOTED) .XXX = $\pm 0.008 [0.20]$ .XXXX = $\pm 0.0008 [0.02]$ ANGLE = $\pm 0.5^{\circ}$	TITLE VERTICAL GANG TACT SWITCH			THIRD ANGLE PROJECTION 
DO NOT SCALE DRAWING	DATE 3/8/07	DRAWING NO. MJTP2205D	REV B	